

## TP 25-80/2-A-O-A-BQQE 1X230 50HZ Grundfos pump 98346596




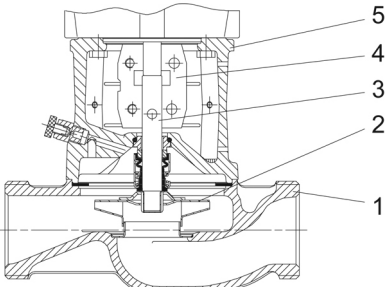
Thank you for your interest in our products. Please contact us for more information, or visit our website

<https://www.lenntech.com/grundfos/TP000/98346596/TP-25-80-2-A-O-A-BQQE.html>

[info@lenntech.com](mailto:info@lenntech.com)

tel. +31 152 610 900

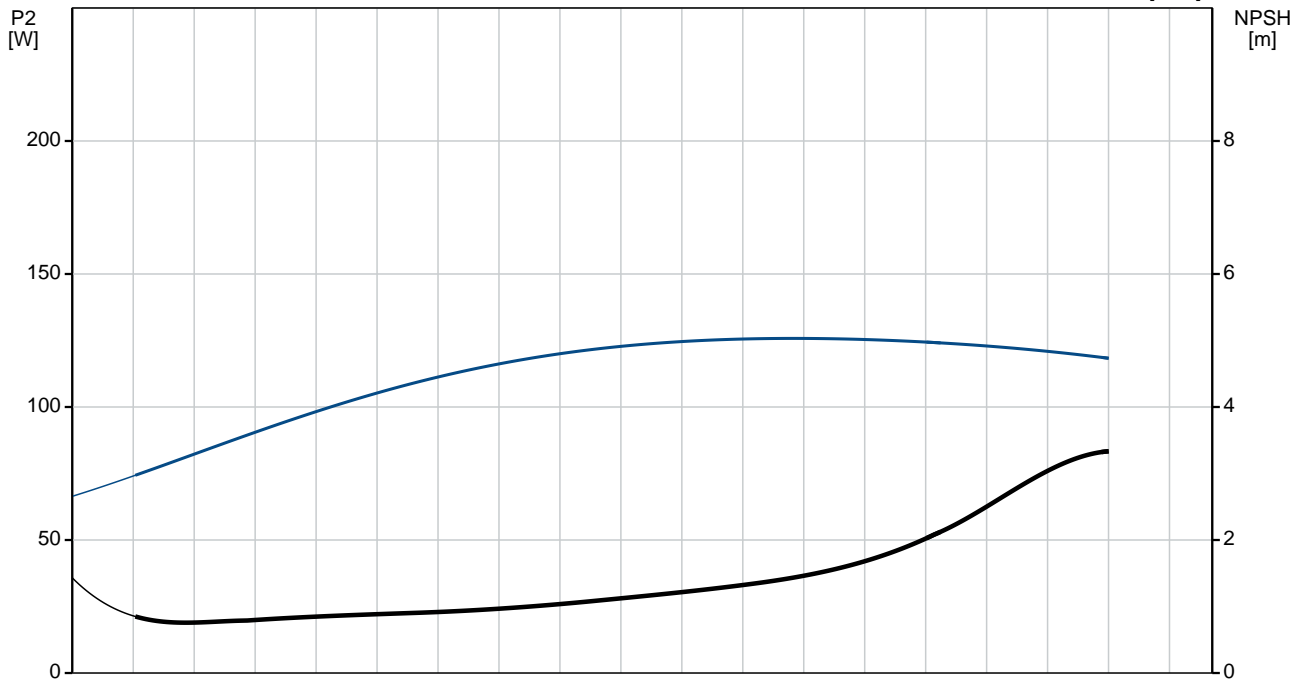
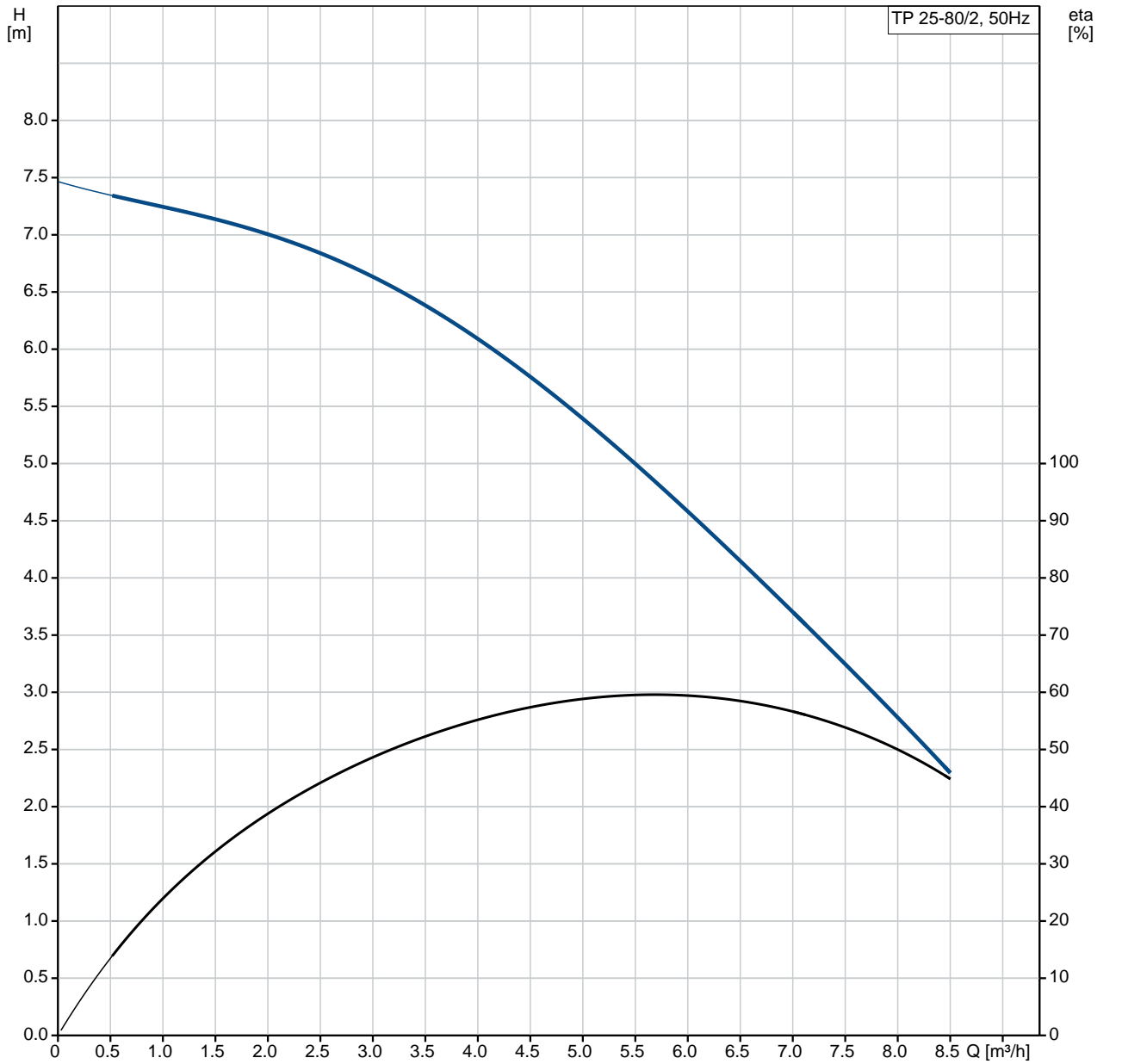
fax. +31 152 616 289

Position	Qty.	Description
	1	<p data-bbox="320 159 603 188"><b>TP 25-80/2 A-O-A-BQQE</b></p>  <p data-bbox="320 481 598 510">Product No.: On request</p> <p data-bbox="320 542 1444 616">Single-stage, close-coupled, volute pump with in-line suction and discharge ports of identical diameter. The pump is of the top-pull-out design, i.e. the power head (motor, pump head and impeller) can be removed for maintenance or service while the pump housing remains in the pipework.</p> <p data-bbox="320 627 1417 678">The pump is fitted with an unbalanced rubber bellows seal. The shaft seal is according to EN 12756. Pipework connection is via PN 10 union connections (ISO 228-1).</p> <p data-bbox="320 685 949 714">The pump is fitted with a fan-cooled asynchronous motor.</p> <p data-bbox="320 743 638 772"><b>Further product details</b></p> <p data-bbox="320 779 399 808"><b>Pump</b></p> <p data-bbox="320 815 1252 844">Pump housing and pump head are electrocoated to improve the corrosion resistance.</p> <p data-bbox="320 851 582 880">Electrocoating includes:</p> <ol data-bbox="320 887 805 992" style="list-style-type: none"> <li>1) Alkaline-based cleaning.</li> <li>2) Pretreatment with zinc phosphate coating.</li> <li>3) Cathodic electrocoating (epoxy).</li> <li>4) Curing of paint film at 200-250 °C.</li> </ol>  <ol data-bbox="320 1326 507 1473" style="list-style-type: none"> <li>1: Pump housing</li> <li>2: Impeller</li> <li>3: Shaft</li> <li>4: Coupling</li> <li>5: Pump head</li> </ol> <p data-bbox="320 1503 1455 1576">The pump housing is provided with a replaceable stainless steel/PTFE neck ring to reduce the amount of liquid running from the discharge side of the impeller to the suction side. The impeller is secured with a split cone pressed onto the shaft.</p> <p data-bbox="320 1619 1436 1693">The pump is fitted with an unbalanced rubber bellows seal with torque transmission across the spring and around the bellows. Due to the bellows, the seal does not wear the shaft, and the axial movement is not prevented by deposits on the shaft.</p> <p data-bbox="320 1704 464 1733">Primary seal:</p> <ul data-bbox="357 1733 917 1792" style="list-style-type: none"> <li>• Rotating seal ring material: silicon carbide (SiC)</li> <li>• Stationary seat material: silicon carbide (SiC)</li> </ul> <p data-bbox="320 1794 1422 1845">This material pairing is used where higher corrosion resistance is required. The high hardness of this material pairing offers good resistance against abrasive particles.</p> <p data-bbox="320 1852 984 1881">Secondary seal material: EPDM (ethylene-propylene rubber)</p> <p data-bbox="320 1883 1217 1912">EPDM has excellent resistance to hot water. EPDM is not suitable for mineral oils.</p> <p data-bbox="320 1942 1441 1993">A circulation of liquid through the duct of the air vent screw ensures lubrication and cooling of the shaft seal.</p> <p data-bbox="320 2000 1412 2074">The motor stool forms connection between the pump housing and the motor, and is equipped with a manual air vent screw for venting of the pump housing and the shaft seal chamber. The sealing between motor stool and pump housing is an O-ring or a flat gasket.</p>

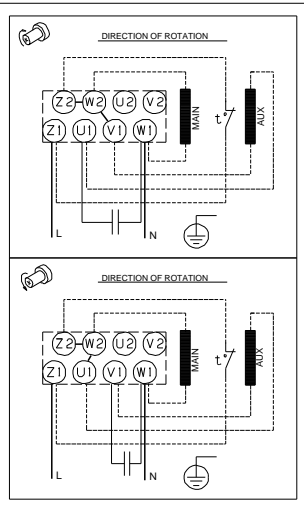
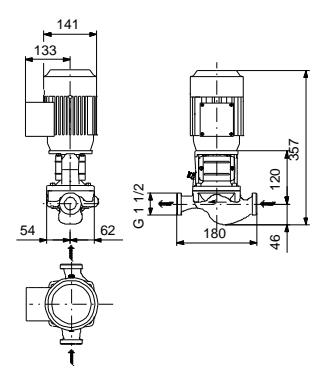
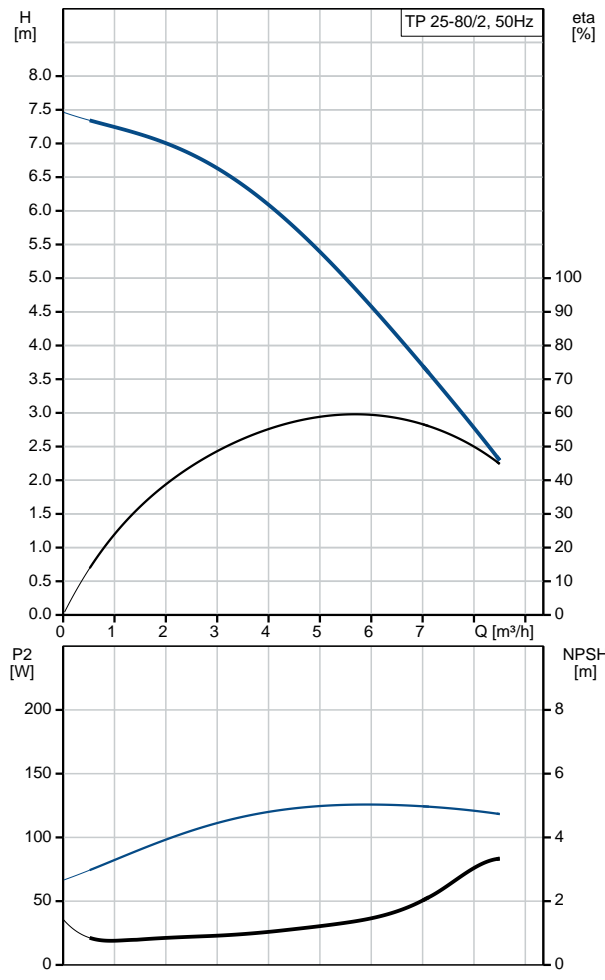
Position	Qty.	Description
		<p>The central part of the motor stool is provided with guards for protection against the shaft and coupling. Motor and pump shaft are connected via a shell coupling.</p> <p><b>Motor</b></p> <p>The motor is a totally enclosed, fan-cooled motor with principal dimensions to IEC and DIN standards. Electrical tolerances comply with IEC 60034.</p> <p>The motor is flange-mounted with tapped-hole flange (FT). Motor-mounting designation in accordance with IEC 60034-7: IM B 14, IM V 18 (Code I) / IM 3601, IM 3611 (Code II).</p> <p>The motor has built-in thermal protection (PTO current and temperature sensors) in accordance with IEC 60034-11 and requires no further motor protection. The protection reacts to both slow- and quick-rising temperatures, e.g. constant overload and stalled conditions.</p> <p>As the thermal protection incorporates automatic reset, the motor must be connected in a way which ensures that the automatic reset cannot cause accidents.</p> <p><b>Technical data</b></p> <p><b>Liquid:</b> Pumped liquid: Water Liquid temperature range: -25 .. 120 °C Liquid temperature during operation: 20 °C Density: 998.2 kg/m<sup>3</sup></p> <p><b>Technical:</b> Rated flow: 6.32 m<sup>3</sup>/h Rated head: 4.04 m Actual impeller diameter: 80 mm Primary shaft seal: BQQE Curve tolerance: ISO9906:2012 3B</p> <p><b>Materials:</b> Pump housing: Cast iron EN-JL1020 ASTM A48-25B Impeller: Composite PES/PP 30% GF</p> <p><b>Installation:</b> Range of ambient temperature: -30 .. 40 °C Maximum operating pressure: 10 bar Flange standard: UNION Pipe connection: G 1 1/2 Pressure rating: PN 10 (@): 180 mm Flange size for motor: FT75</p> <p><b>Electrical data:</b> Motor type: 71A Rated power - P2: 0.18 kW Power (P2) required by pump: 0.18 kW Mains frequency: 50 Hz Rated voltage: 1 x 220-240 V Rated current: 1.52-1.65 A Starting current: 520-525 % Cos phi - power factor: 0.85 Rated speed: 2875-2895 rpm Motor efficiency at full load: 62.8-59 % Number of poles: 2 Enclosure class (IEC 34-5): 55 Dust/Jetting Insulation class (IEC 85): F</p> <p><b>Others:</b> Minimum efficiency index, MEI : 0.55 ErP status: EuP Standalone/Prod.</p>

Position	Qty.	Description
		Net weight: 9.4 kg Gross weight: 11.4 kg Shipping volume: 0.02 m <sup>3</sup> Danish VVS No.: 381800080

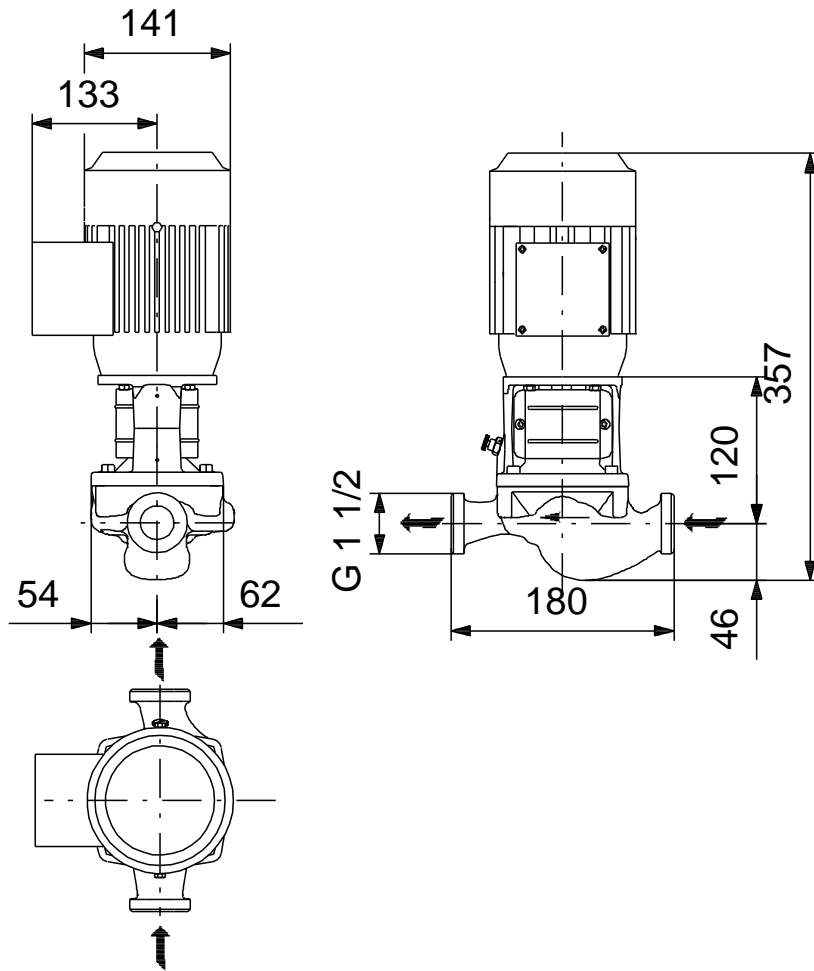
# On request TP 25-80/2 A-O-A-BQQE 50 Hz



Description	Value
<b>General information:</b>	
Product name:	TP 25-80/2 A-O-A-BQQE
Product No:	On request
EAN number:	On request
<b>Technical:</b>	
Rated flow:	6.32 m <sup>3</sup> /h
Rated head:	4.04 m
Head max:	80 dm
Actual impeller diameter:	80 mm
Primary shaft seal:	BQQE
Curve tolerance:	ISO9906:2012 3B
Pump version:	A
Model:	B
<b>Materials:</b>	
Pump housing:	Cast iron EN-JL1020 ASTM A48-25B
Impeller:	Composite PES/PP 30% GF
Material code:	A
<b>Installation:</b>	
Range of ambient temperature:	-30 .. 40 °C
Maximum operating pressure:	10 bar
Flange standard:	UNION
Pipe connection:	G 1 1/2
Pressure rating:	PN 10
(@)	180 mm
Flange size for motor:	FT75
Connect code:	O
<b>Liquid:</b>	
Pumped liquid:	Water
Liquid temperature range:	-25 .. 120 °C
Liquid temperature during operation:	20 °C
Density:	998.2 kg/m <sup>3</sup>
<b>Electrical data:</b>	
Motor type:	71A
Rated power - P2:	0.18 kW
Power (P2) required by pump:	0.18 kW
Mains frequency:	50 Hz
Rated voltage:	1 x 220-240 V
Rated current:	1.52-1.65 A
Starting current:	520-525 %
Cos phi - power factor:	0.85
Rated speed:	2875-2895 rpm
Motor efficiency at full load:	62.8-59 %
Number of poles:	2
Enclosure class (IEC 34-5):	55 Dust/Jetting
Insulation class (IEC 85):	F
Motor protec:	PTO
Motor No:	98714252
<b>Others:</b>	
Minimum efficiency index, MEI :	0.55
ErP status:	EuP Standalone/Prod.
Net weight:	9.4 kg
Gross weight:	11.4 kg
Shipping volume:	0.02 m <sup>3</sup>
Danish VVS No.:	381800080

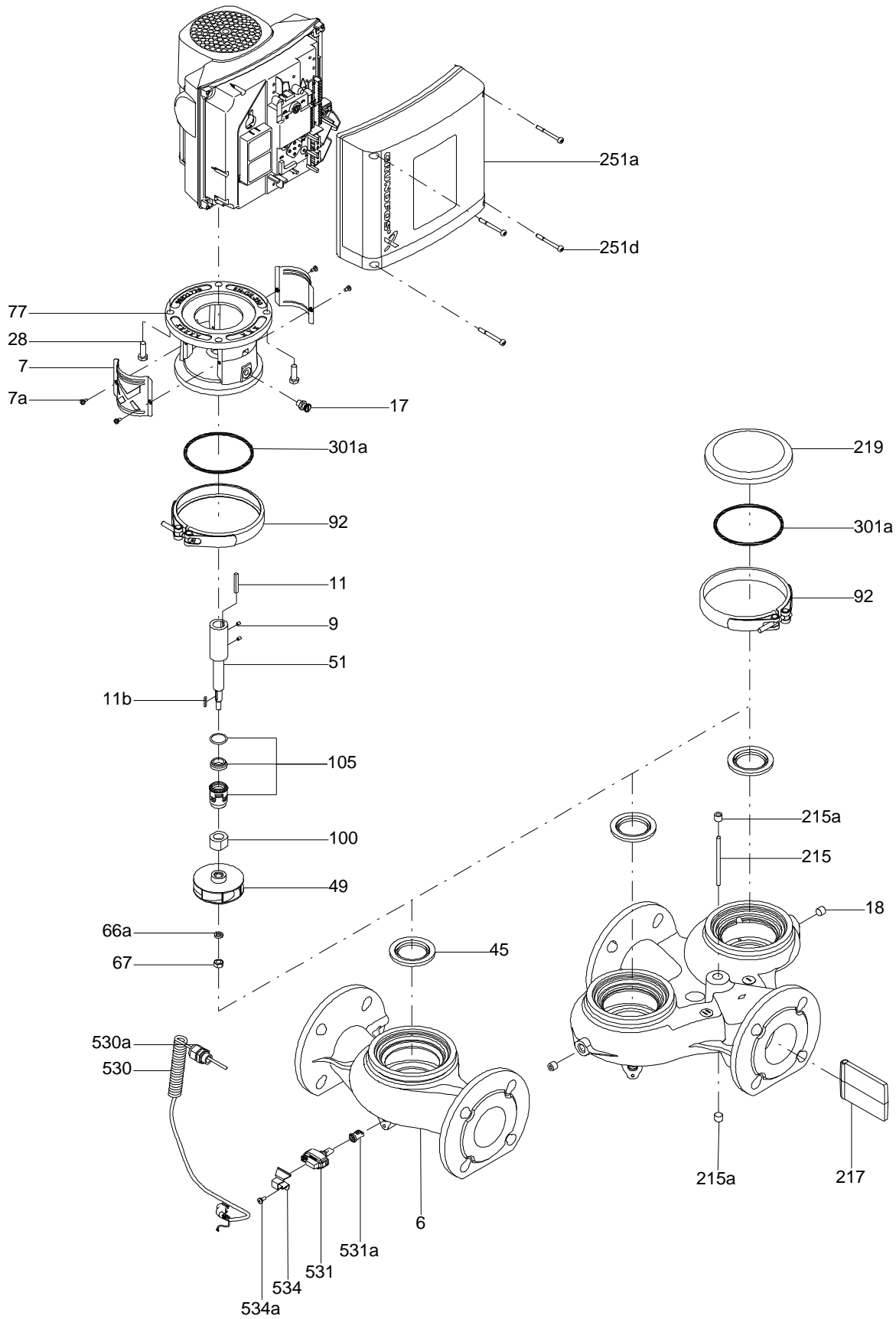


# On request TP 25-80/2 A-O-A-BQQE 50 Hz



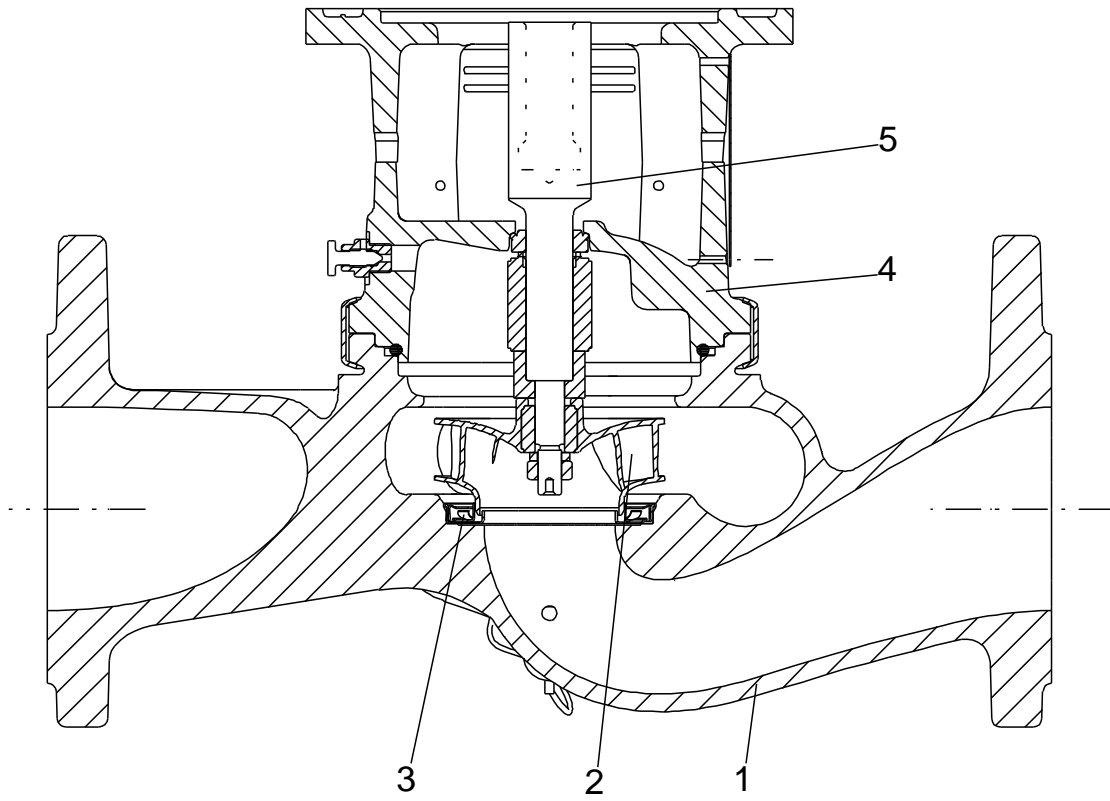
Note! All units are in [mm] unless others are stated.  
Disclaimer: This simplified dimensional drawing does not show all details.

Exploded view



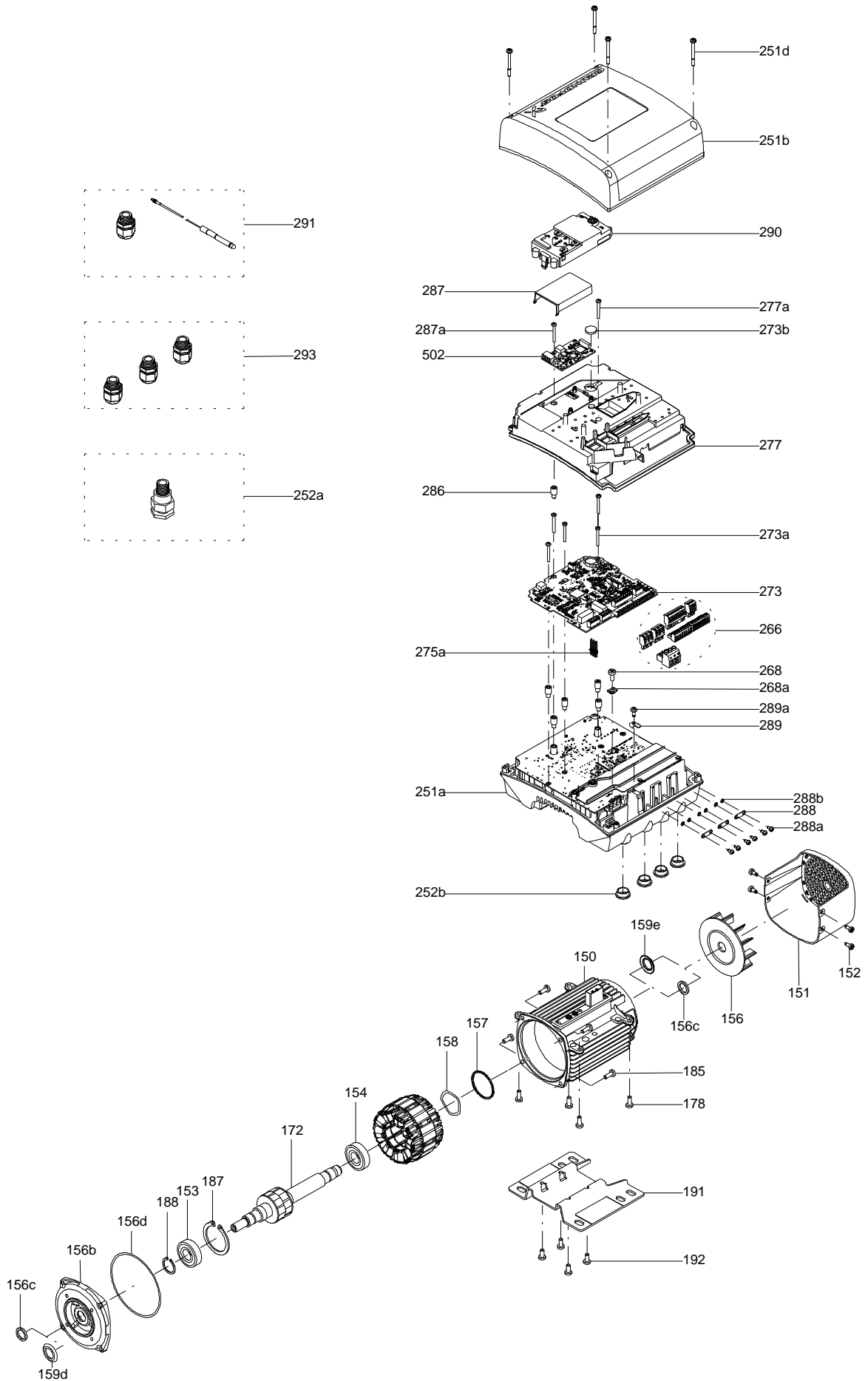


Sectional drawing (TM058200 for TPE2,TPE3)



TM058200

Exploded view ( TM057026 for MGE model H/I )



**Parts list TP 25-80/2, Product No. On request**  
**Valid from 20.6.2010 (1024)**

Pos	Description	Annotation	Données de classification	Référence	Quantité	Unité
	Motor				1	pcs
-	Coupling cpl.				1	pcs
9	Hex socket head cap screw		Designation: DIN 912		4	
			Length (mm): 20			
			Thread: M6			
10	Shaft pin		Diameter: 5		1	
			Length (mm): 21,5			
10a	Coupling half				2	
-	Motor stool cpl.				1	pcs
2	Motor stool				1	
26	Hex socket head cap screw		Designation: DIN 912		4	
			Length (mm): 20			
			Thread: M6			
28	Hex head screw		Length (mm): 16 MM		4	
			Thread: M5			
-	Pump housing cpl.				1	pcs
- 6	Pump housing cpl.				1	
-	Pump housing				1	
6	Pump housing					
45	Seal ring					
-	Coupling guard cpl.				1	pcs
7	Coupling guard				2	
7a	Pan head screw				4	
66	Lock washer				4	
-	Shaft seal cpl.				1	pcs
105	Shaft seal				1	
-	Shaft w/impeller cpl.				1	pcs
-	Shaft w/impeller cpl.				1	
49	Impeller cpl.				1	
49b	Split cone				1	
51	Pump shaft				1	
66a	Washer		Designation: DIN 125 A2		1	
			Internal diameter: 13			
			Outer diameter: 24			
			Thickness: 2,5			
17	Air vent screw				1	pcs
72a	Gasket		Internal diameter: 97 MM		1	pcs
			Outer diameter: 77.5			
			Thickness: 2 MM			

*Disclaimer: The information about the Grundfos pump in this document may be outdated.*

*Data may be subject to alterations without further notice.*

*Please contact us to verify the data above is still accurate/up-to-date.*

All information is copyright Grundfos.



[info@lenntech.com](mailto:info@lenntech.com)

<https://www.lenntech.com>

tel. +31 152 610 900

fax. +31 152 616 289