

MAGNA1 40-120 F N 250 1x230V PN6/10 Grundfos pump 98254920




Thank you for your interest in our products. Please contact us for more information, or visit our website

<https://www.lenntech.com/grundfos/MAGNA1N/98254920/MAGNA1-40-120-F-N.html>

info@lenntech.com

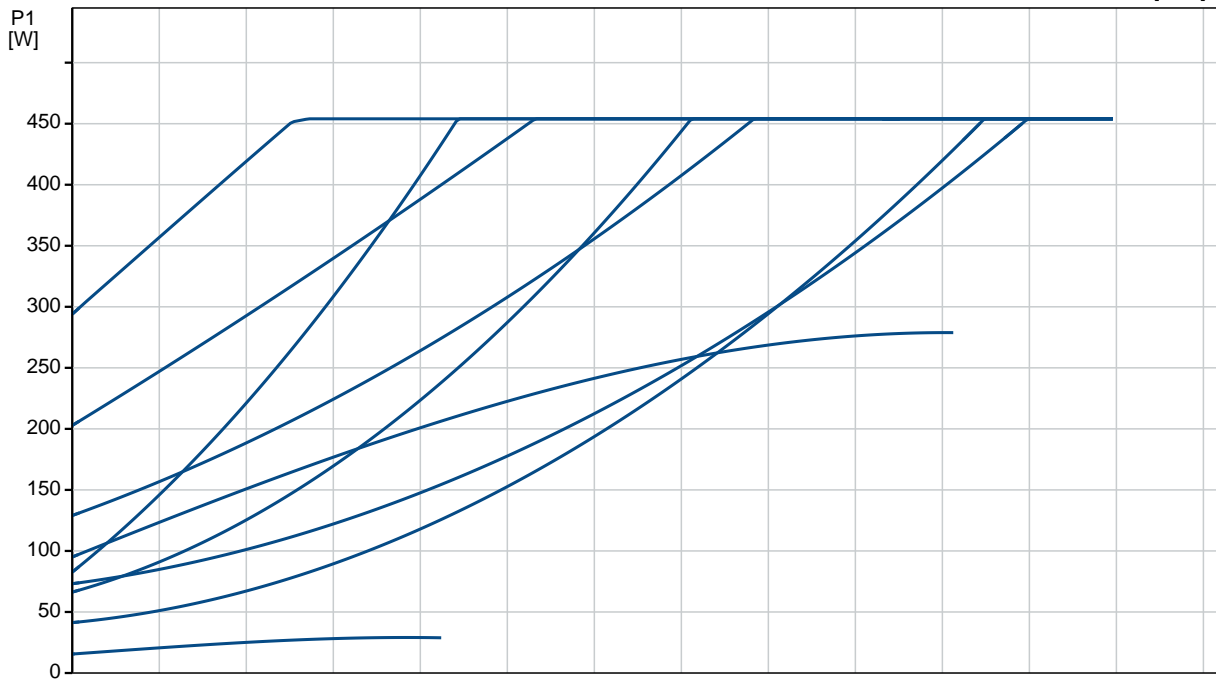
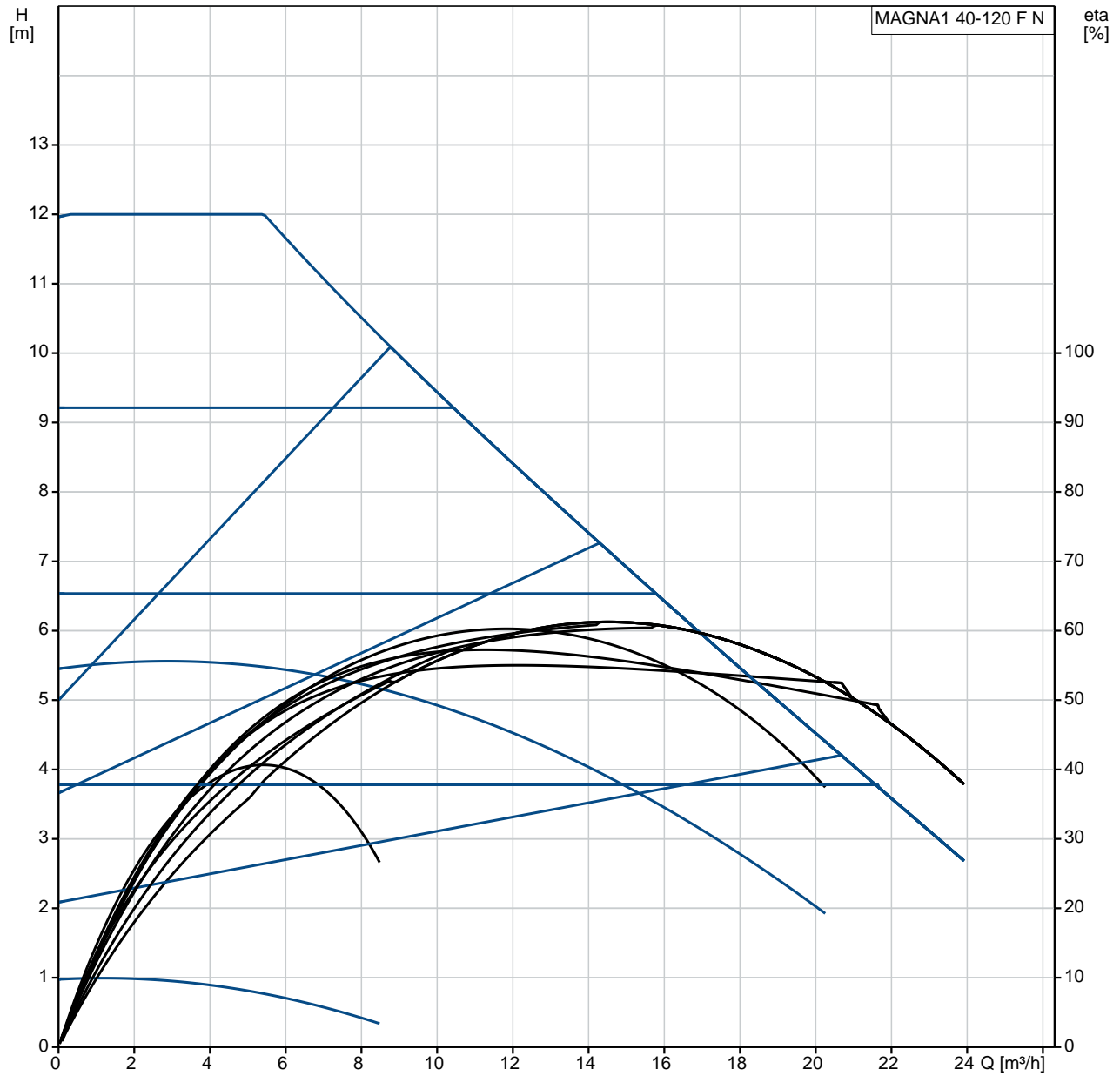
tel. +31 152 610 900

fax. +31 152 616 289

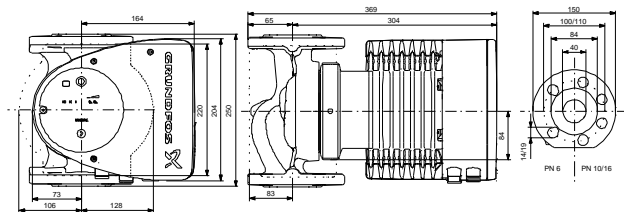
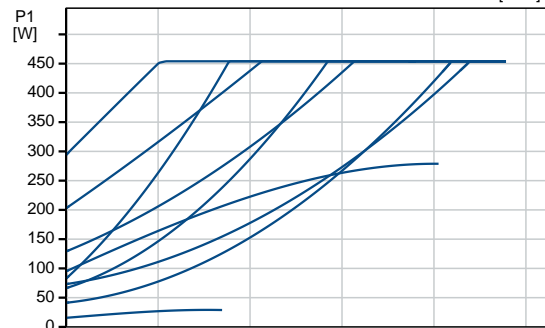
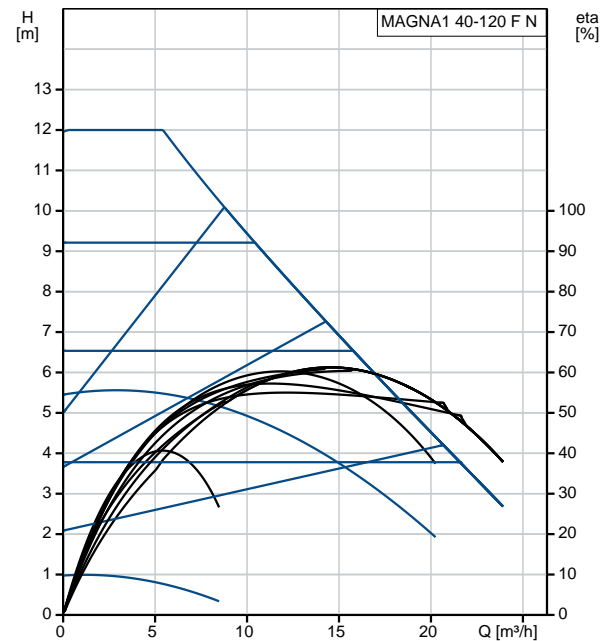
Position	Qty.	Description
	1	<p data-bbox="323 163 563 197">MAGNA1 40-120 F N</p> <div data-bbox="395 264 566 425" style="text-align: center;">  </div> <p data-bbox="323 488 603 521">Product No.: On request</p> <p data-bbox="323 544 1452 745"> MAGNA1 circulator pump with easy selection of pump setting The pump is of the canned-rotor type, i.e. pump and motor form an integral unit without shaft seal and with only two gaskets for sealing. The bearings are lubricated by the pumped liquid. In order to avoid problems in connection with disposal, great importance has been attached to using as few different materials as possible. A pump with no maintenance requirements and extremely low life cycle cost. </p> <p data-bbox="323 779 507 813">Heating systems</p> <ul data-bbox="323 813 614 925" style="list-style-type: none"> • Main pump • mixing loops • heating surfaces • air-conditioning surfaces. <p data-bbox="323 925 922 1104"> The MAGNA1 circulator pumps are designed for circulating liquids in heating systems with variable flows where it is desirable to optimise the setting of the pump duty point, thus reducing energy costs. The pumps are also suitable for domestic hot-water systems. </p> <p data-bbox="323 1104 925 1193"> To ensure correct operation, it is important that the sizing range of the system falls within the duty range of the pump. </p> <p data-bbox="323 1227 414 1261">Benefits</p> <ul data-bbox="323 1261 1300 1462" style="list-style-type: none"> • Safe selection. • Simple installation. • Low energy consumption. All MAGNA1 pumps comply with the EuP requirements. • Nine light fields for indication of pump setting. Three proportional-pressure curves, three constant-pressure curves and three fixed-speed curves are available. • Low noise level. • No maintenance and long life. <p data-bbox="323 1496 406 1529">Liquid:</p> <p data-bbox="323 1529 821 1641"> Pumped liquid: Water Liquid temperature range: -10 .. 110 °C Liquid temperature during operation: 60 °C Density: 983.2 kg/m³ </p> <p data-bbox="323 1675 446 1709">Technical:</p> <p data-bbox="323 1709 837 1765"> TF class: 110 Approvals on nameplate: CE,VDE,EAC </p> <p data-bbox="323 1798 438 1832">Materials:</p> <p data-bbox="323 1832 853 1944"> Pump housing: Stainless steel EN 1.4308 ASTM 351 CF8 Impeller: PES 30%GF </p> <p data-bbox="323 1977 462 2011">Installation:</p> <p data-bbox="323 2011 790 2089"> Range of ambient temperature: 0 .. 40 °C Maximum operating pressure: 10 bar Flange standard: DIN </p>

Position	Qty.	Description
		Pipe connection: DN 40 Pressure rating: PN6/10 (@): 250 mm Electrical data: Power input - P1: 15.01 .. 463 W Mains frequency: 50 Hz Rated voltage: 1 x 230 V Maximum current consumption: 0.18 .. 2.05 A Enclosure class (IEC 34-5): X4D Insulation class (IEC 85): F Others: Energy (EEI): 0.21 Net weight: 16.5 kg Gross weight: 18 kg Shipping volume: 39.2 m ³

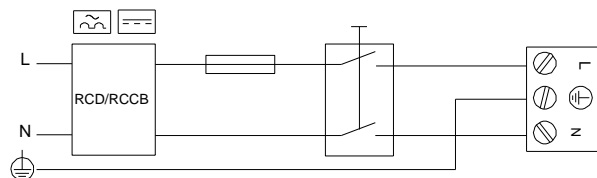
On request MAGNA1 40-120 F N 50 Hz



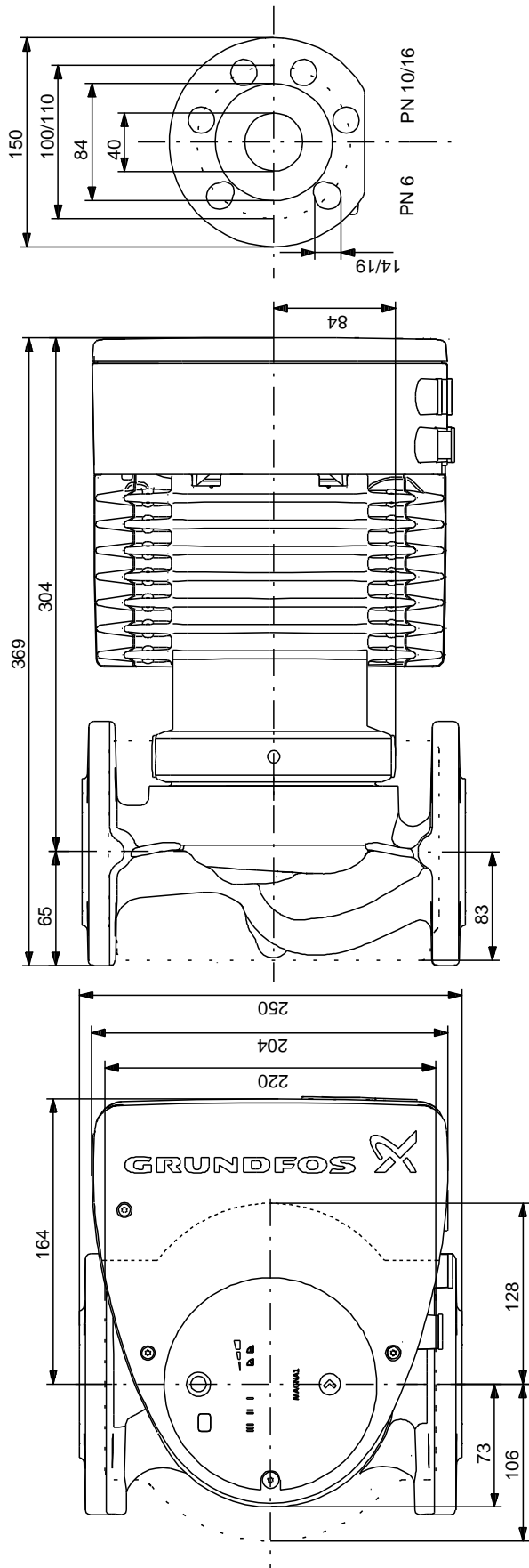
Description	Value
General information:	
Product name:	MAGNA1 40-120 F N
Product No:	On request
EAN number:	On request
Technical:	
Head max:	120 dm
TF class:	110
Approvals on nameplate:	CE,VDE,EAC
Model:	B
Materials:	
Pump housing:	Stainless steel EN 1.4308 ASTM 351 CF8
Impeller:	PES 30%GF
Installation:	
Range of ambient temperature:	0 .. 40 °C
Maximum operating pressure:	10 bar
Flange standard:	DIN
Pipe connection:	DN 40
Pressure rating:	PN6/10
(@)	250 mm
Liquid:	
Pumped liquid:	Water
Liquid temperature range:	-10 .. 110 °C
Liquid temperature during operation:	60 °C
Density:	983.2 kg/m ³
Electrical data:	
Power input - P1:	15.01 .. 463 W
Mains frequency:	50 Hz
Rated voltage:	1 x 230 V
Maximum current consumption:	0.18 .. 2.05 A
Enclosure class (IEC 34-5):	X4D
Insulation class (IEC 85):	F
Others:	
Energy (EEI):	0.21
Net weight:	16.5 kg
Gross weight:	18 kg
Shipping volume:	39.2 m ³



Example of mains-connected motor with mains switch, backup fuse and additional protection

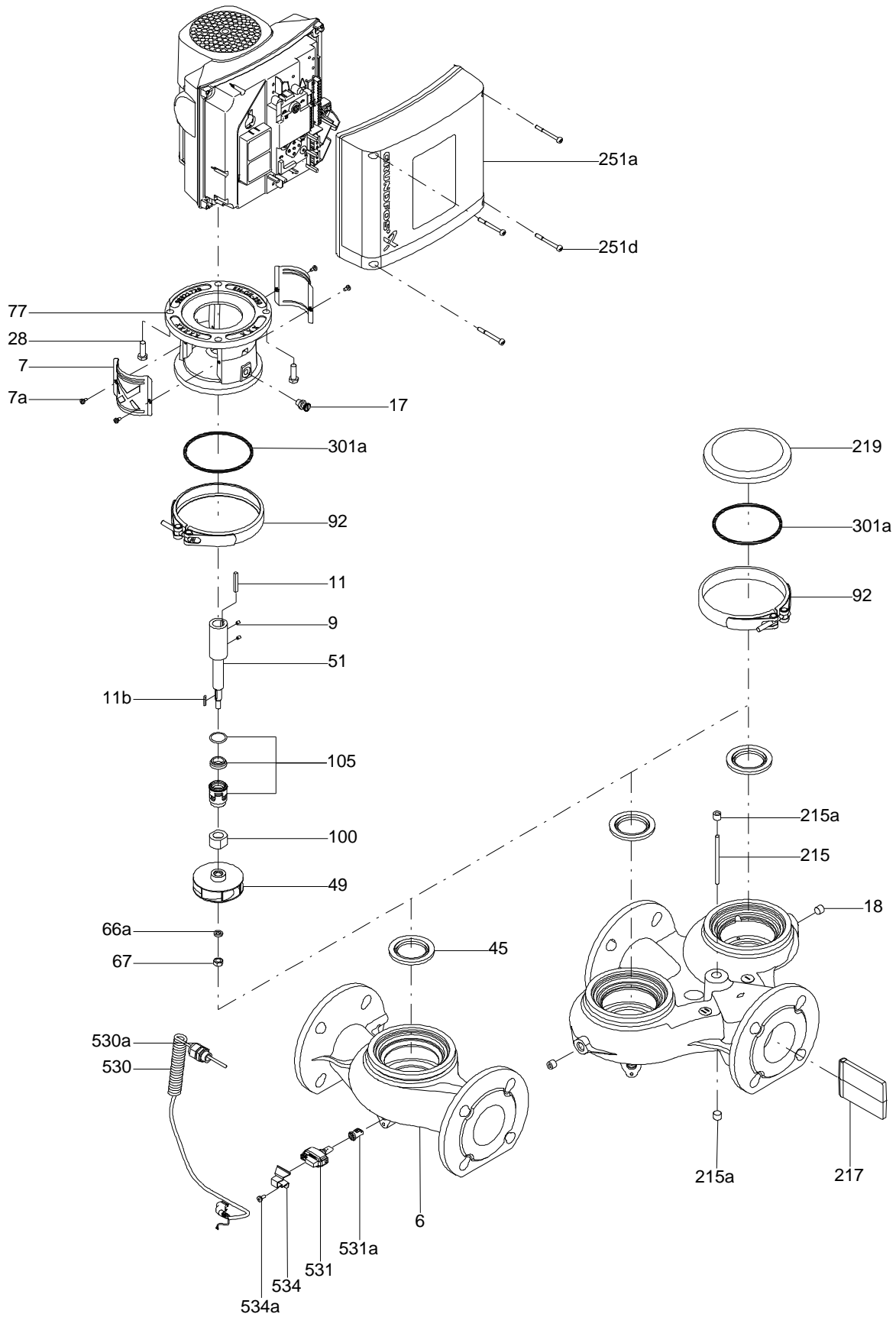


On request MAGNA1 40-120 F N 50 Hz

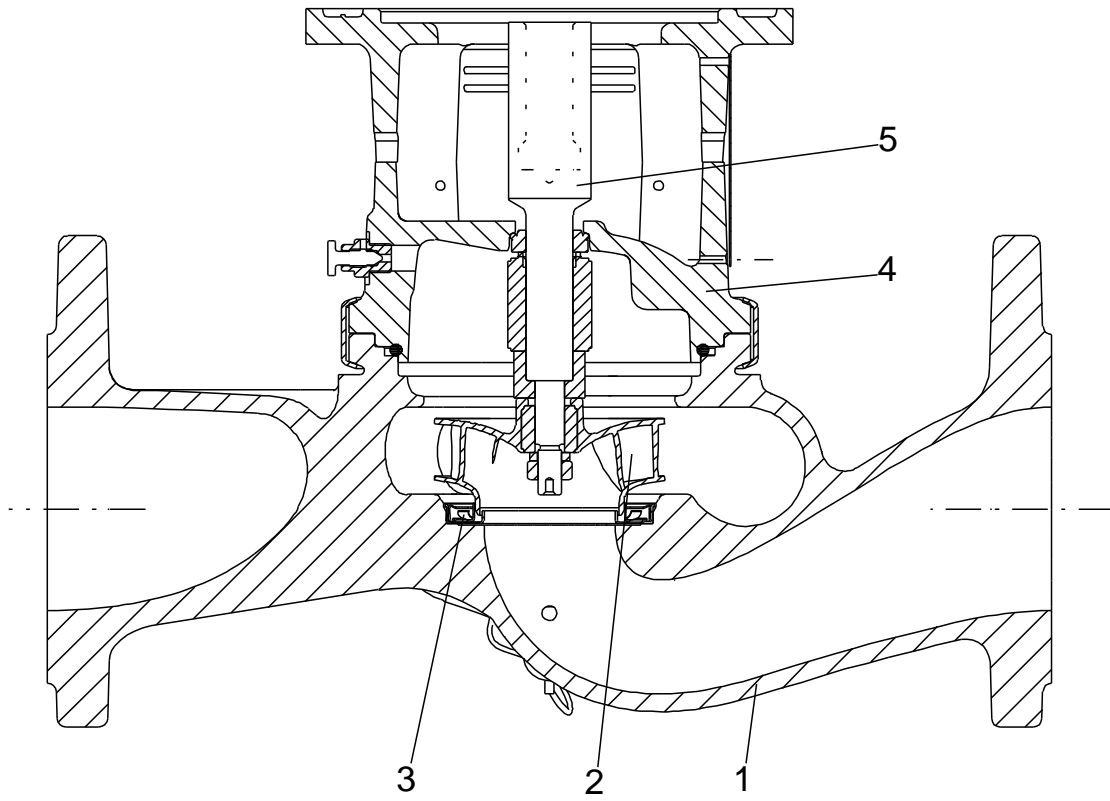


Note! All units are in [mm] unless others are stated.
 Disclaimer: This simplified dimensional drawing does not show all details.

Exploded view

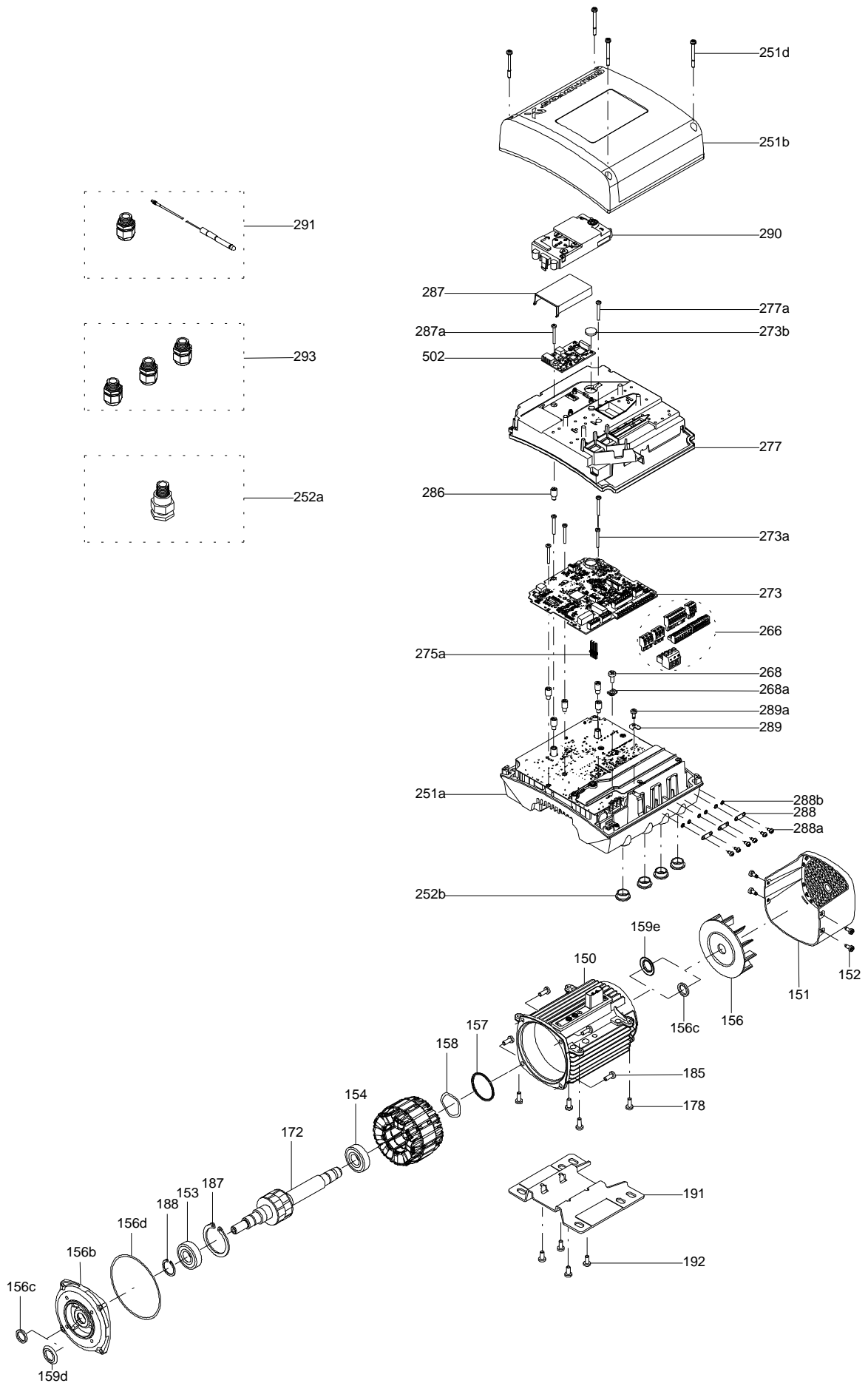


Sectional drawing (TM058200 for TPE2,TPE3)



TM058200

Exploded view (TM057026 for MGE model H/I)



Parts list MAGNA1 40-120 F N, Product No. On request
Valid from 18.10.2012 (1242)

Pos	Description	Annotation	Données de classification	Référence	Quantité	Unité
-	Pump housing cpl.				1	pcs
6	Pump housing				1	
45	Neck ring cpl.				1	
-	Control box cpl.				1	pcs
-	Control box				1	
163b	Compression spring				4	
164	Cover				1	
164a	Screw DELTA PT				5	
- 163	Control box				1	
	Box				1	
	Socket head cap screw				12	
166	Powerboard, Leaded				1	
166c	Socket head cap screw				1	
167	Cover				1	
167a	Pan head tapping screw				4	
92	Clamp cpl.				1	pcs
163a	Pan head screw				2	pcs
163d	Pan head screw				1	pcs
301	Pump head				1	pcs
301b	Protector				1	pcs
450	Insulation				1	pcs

Disclaimer: The information about the Grundfos pump in this document may be outdated.

Data may be subject to alterations without further notice.

Please contact us to verify the data above is still accurate/up-to-date.

All information is copyright Grundfos.



info@lenntech.com

<https://www.lenntech.com>

tel. +31 152 610 900

fax. +31 152 616 289