

## MAGNA1 65-40 F 340 1x230V PN6/10 Grundfos pump 97924202




Thank you for your interest in our products. Please contact us for more information, or visit our website

<https://www.lenntech.com/grundfos/MAGNA1/97924202/MAGNA1-65-40-F.html>

[info@lenntech.com](mailto:info@lenntech.com)

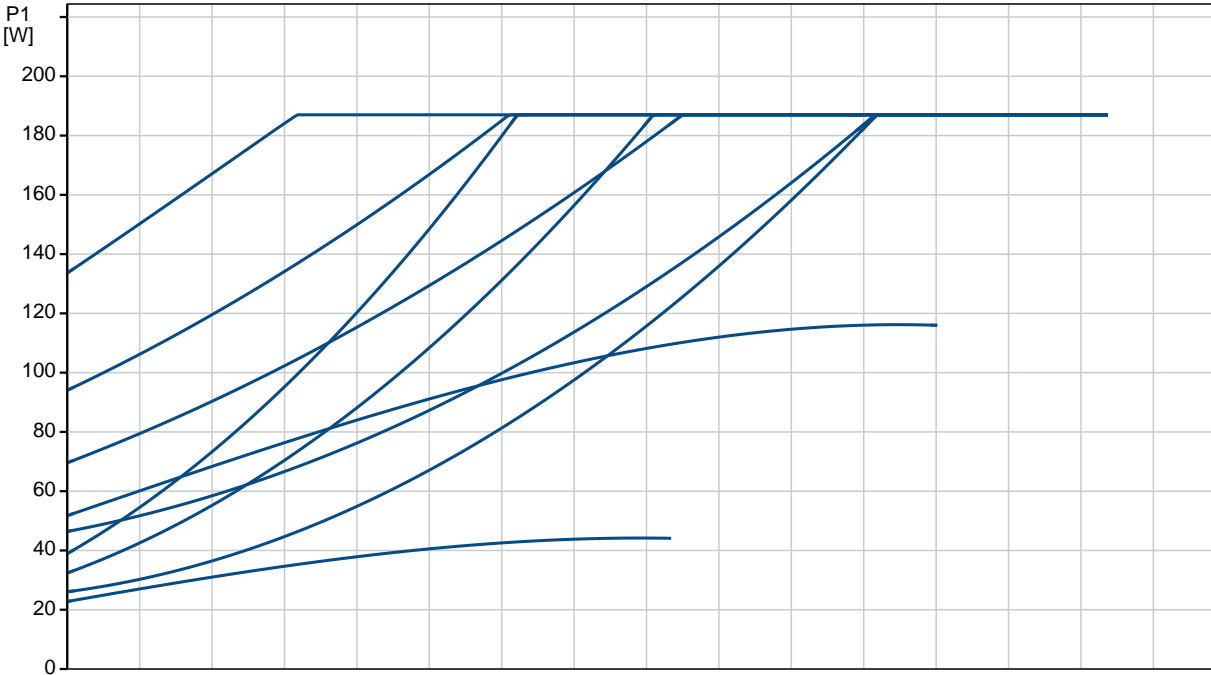
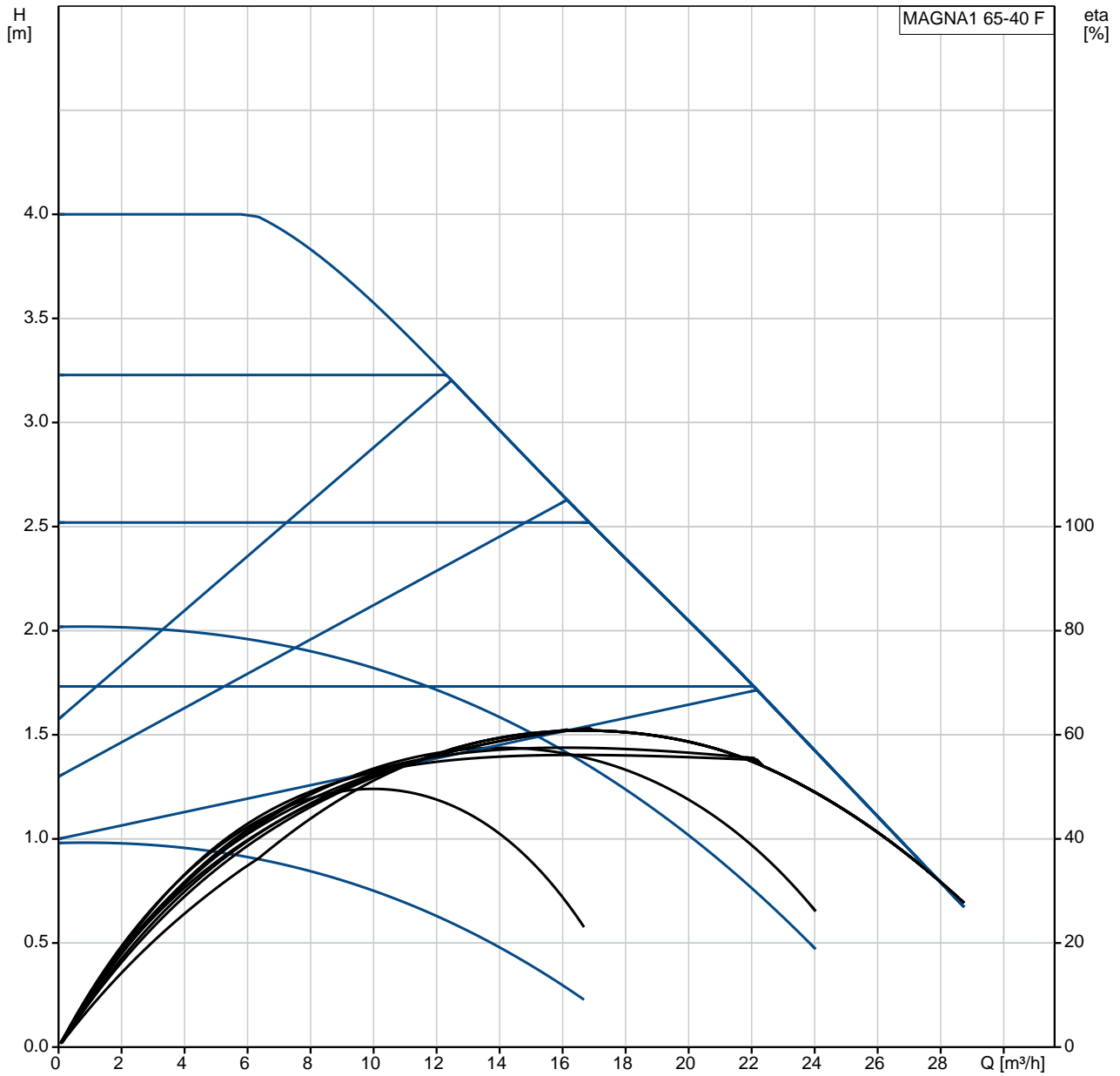
tel. +31 152 610 900

fax. +31 152 616 289

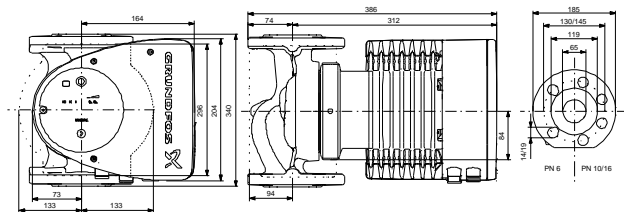
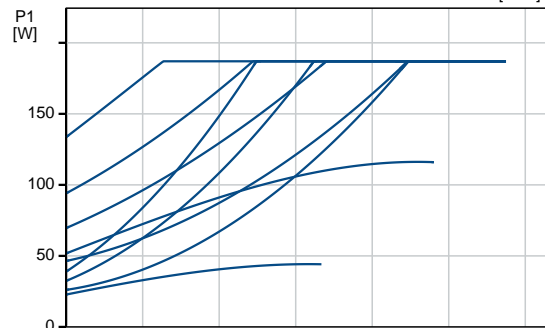
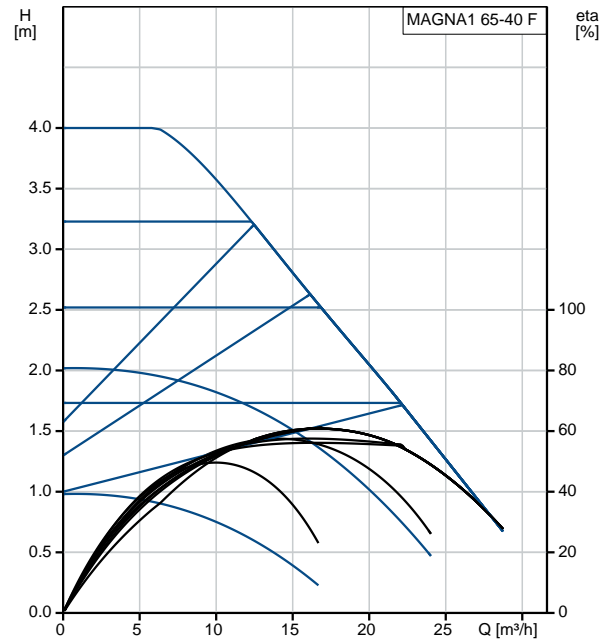
Position	Qty.	Description
	1	<p><b>MAGNA1 65-40 F</b></p>  <p>Product No.: On request</p> <p>MAGNA1 circulator pump with easy selection of pump setting  The pump is of the canned-rotor type, i.e. pump and motor form an integral unit without shaft seal and with only two gaskets for sealing.  The bearings are lubricated by the pumped liquid.  In order to avoid problems in connection with disposal, great importance has been attached to using as few different materials as possible.  A pump with no maintenance requirements and extremely low life cycle cost.</p> <p>Heating systems</p> <ul style="list-style-type: none"> <li>• Main pump</li> <li>• mixing loops</li> <li>• heating surfaces</li> <li>• air-conditioning surfaces.</li> </ul> <p>The MAGNA1 circulator pumps are designed for circulating liquids in heating systems with variable flows where it is desirable to optimise the setting of the pump duty point, thus reducing energy costs. The pumps are also suitable for domestic hot-water systems.</p> <p>To ensure correct operation, it is important that the sizing range of the system falls within the duty range of the pump.</p> <p>Benefits</p> <ul style="list-style-type: none"> <li>• Safe selection.</li> <li>• Simple installation.</li> <li>• Low energy consumption. All MAGNA1 pumps comply with the EuP requirements.</li> <li>• Nine light fields for indication of pump setting. Three proportional-pressure curves, three constant-pressure curves and three fixed-speed curves are available.</li> <li>• Low noise level.</li> <li>• No maintenance and long life.</li> </ul> <p><b>Liquid:</b></p> <p>Pumped liquid: Water  Liquid temperature range: -10 .. 110 °C  Liquid temperature during operation: 60 °C  Density: 983.2 kg/m<sup>3</sup></p> <p><b>Technical:</b></p> <p>TF class: 110  Approvals on nameplate: CE,VDE,EAC</p> <p><b>Materials:</b></p> <p>Pump housing: Cast iron  EN-GJL-250  ASTM A48-250B</p> <p>Impeller: PES 30%GF</p> <p><b>Installation:</b></p> <p>Range of ambient temperature: 0 .. 40 °C  Maximum operating pressure: 10 bar  Flange standard: DIN</p>

Position	Qty.	Description
		Pipe connection: DN 65 Pressure rating: PN6/10 (@): 340 mm  <b>Electrical data:</b> Power input - P1: 23.15 .. 190 W Mains frequency: 50 Hz Rated voltage: 1 x 230 V Maximum current consumption: 0.24 .. 0.9 A Enclosure class (IEC 34-5): X4D Insulation class (IEC 85): F  <b>Others:</b> Energy (EEI): 0.21 Net weight: 20.7 kg Gross weight: 23 kg Shipping volume: 57.4 m <sup>3</sup>

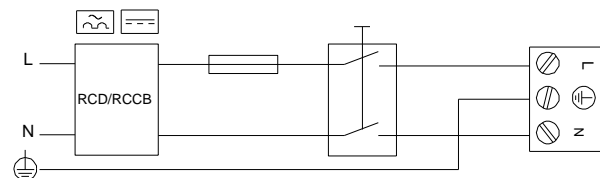
# On request MAGNA1 65-40 F 50 Hz



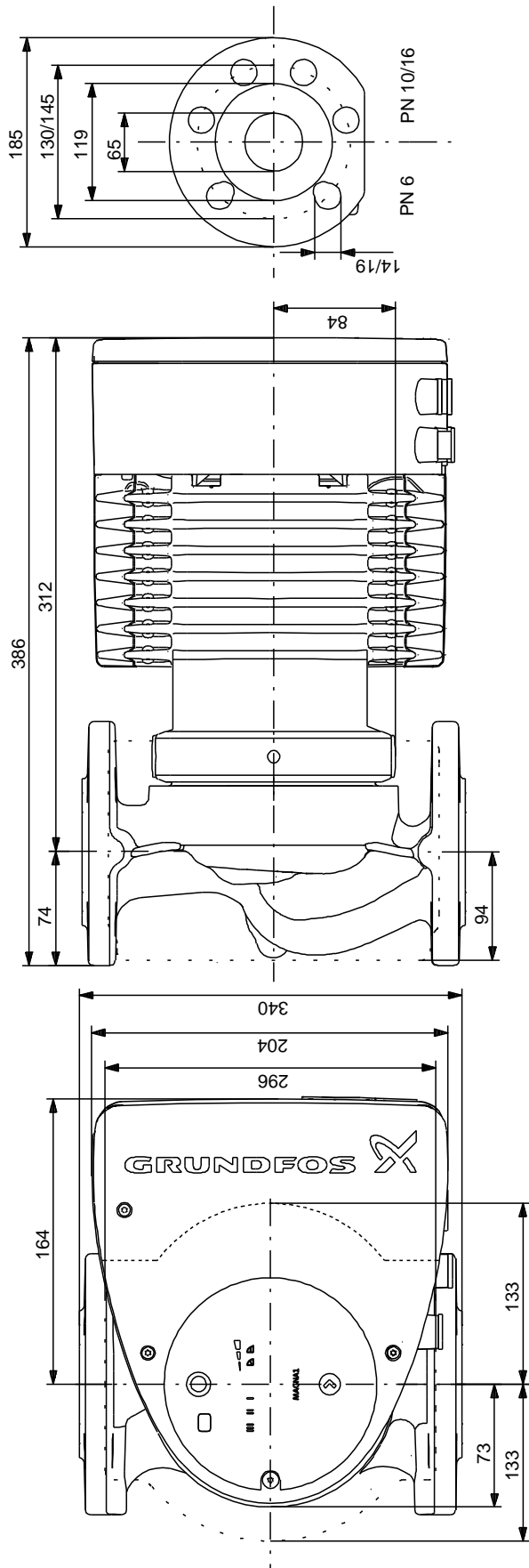
Description	Value
<b>General information:</b>	
Product name:	MAGNA1 65-40 F
Product No:	On request
EAN number:	On request
<b>Technical:</b>	
Head max:	40 dm
TF class:	110
Approvals on nameplate:	CE,VDE,EAC
Model:	B
<b>Materials:</b>	
Pump housing:	Cast iron
	EN-GJL-250
	ASTM A48-250B
Impeller:	PES 30%GF
<b>Installation:</b>	
Range of ambient temperature:	0 .. 40 °C
Maximum operating pressure:	10 bar
Flange standard:	DIN
Pipe connection:	DN 65
Pressure rating:	PN6/10
(@)	340 mm
<b>Liquid:</b>	
Pumped liquid:	Water
Liquid temperature range:	-10 .. 110 °C
Liquid temperature during operation:	60 °C
Density:	983.2 kg/m <sup>3</sup>
<b>Electrical data:</b>	
Power input - P1:	23.15 .. 190 W
Mains frequency:	50 Hz
Rated voltage:	1 x 230 V
Maximum current consumption:	0.24 .. 0.9 A
Enclosure class (IEC 34-5):	X4D
Insulation class (IEC 85):	F
<b>Others:</b>	
Energy (EEI):	0.21
Net weight:	20.7 kg
Gross weight:	23 kg
Shipping volume:	57.4 m <sup>3</sup>



Example of mains-connected motor with mains switch, backup fuse and additional protection

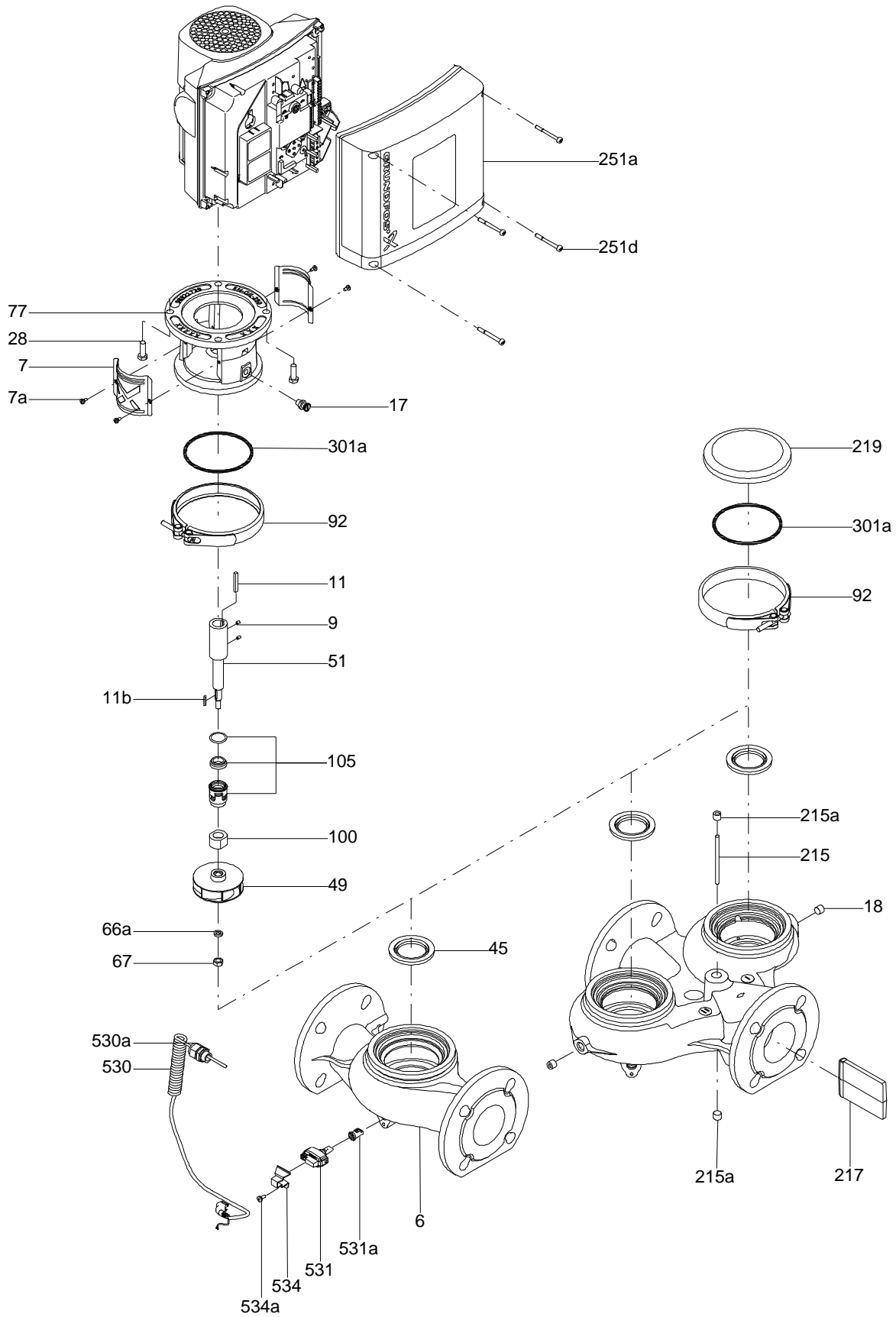


# On request MAGNA1 65-40 F 50 Hz



Note! All units are in [mm] unless others are stated.  
 Disclaimer: This simplified dimensional drawing does not show all details.

Exploded view



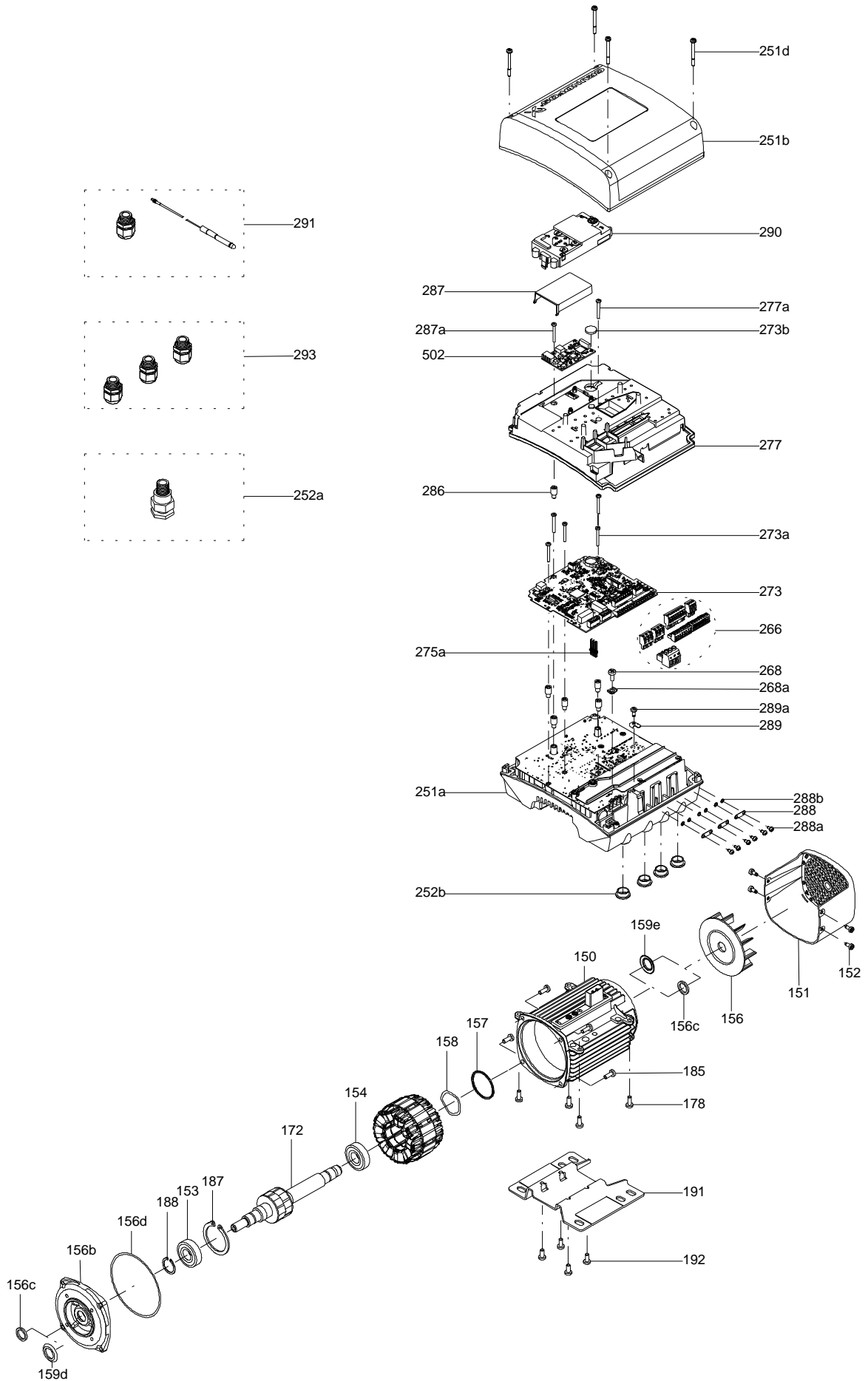
Sectional drawing (TM058200 for TPE2,TPE3)



TM058200



Exploded view ( TM057026 for MGE model H/I )



**Parts list MAGNA1 65-40 F, Product No. On request**  
**Valid from 18.10.2012 (1242)**

Pos	Description	Annotation	Données de classification	Référence	Quantité	Unité
-	Pump housing cpl.				1	pcs
6	Pump housing				1	
45	Neck ring cpl.				1	
-	Control box cpl.				1	pcs
-	Control box				1	
163b	Compression spring				4	
164	Cover				1	
164a	Screw DELTA PT				5	
- 163	Control box				1	
	Box				1	
	Socket head cap screw				12	
166	Powerboard, Leaded				1	
166c	Socket head cap screw				1	
167	Cover				1	
167a	Pan head tapping screw				4	
92	Clamp cpl.				1	pcs
163a	Pan head screw				2	pcs
163d	Pan head screw				1	pcs
301	Pump head				1	pcs
301b	Protector				1	pcs
450	Insulation				1	pcs

*Disclaimer: The information about the Grundfos pump in this document may be outdated.*

*Data may be subject to alterations without further notice.*

*Please contact us to verify the data above is still accurate/up-to-date.*

All information is copyright Grundfos.



[info@lenntech.com](mailto:info@lenntech.com)

<https://www.lenntech.com>

tel. +31 152 610 900

fax. +31 152 616 289