

UPS20-60 N 150 1x230V 50Hz 9H Grundfos pump 96913106




Thank you for your interest in our products. Please contact us for more information, or visit our website

<https://www.lenntech.com/grundfos/UPSB1/96913106/UPS-20-60-N-150.html>

info@lenntech.com

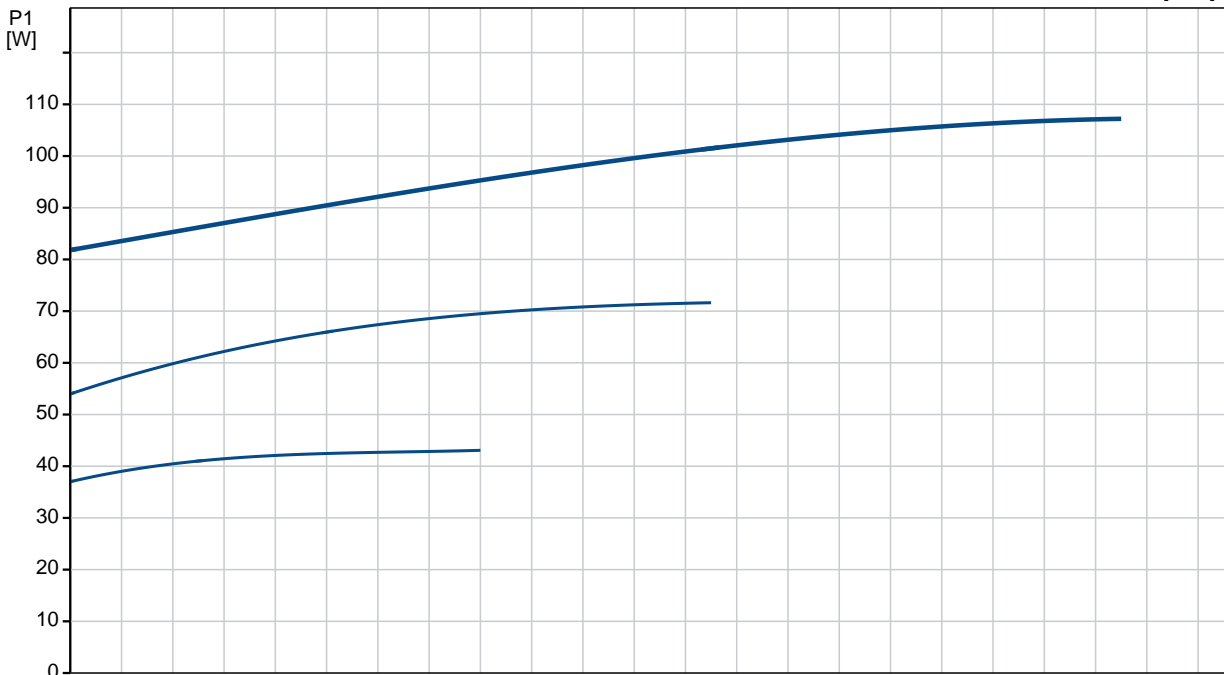
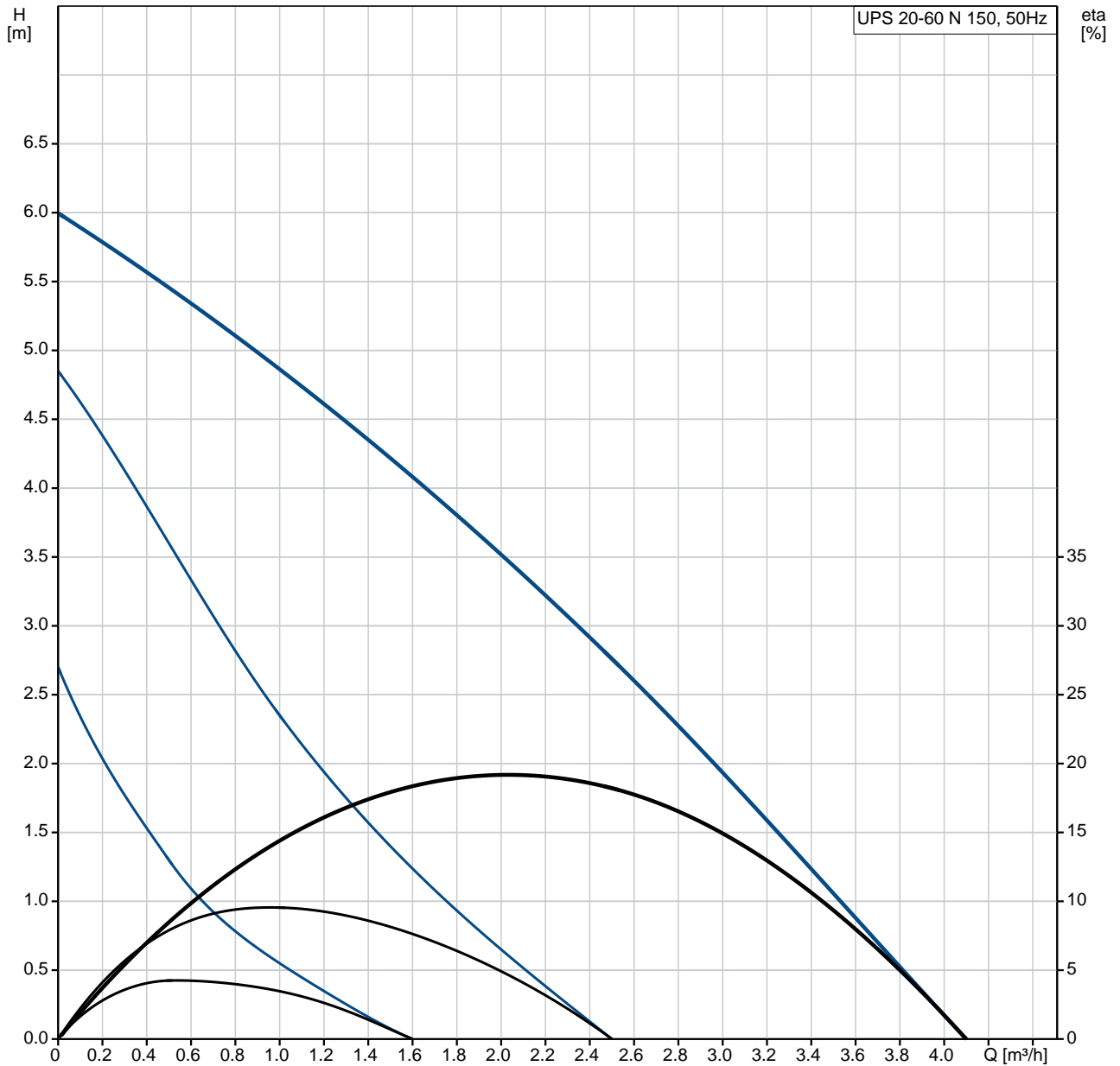
tel. +31 152 610 900

fax. +31 152 616 289

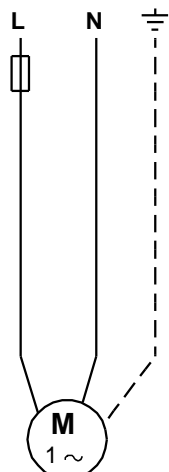
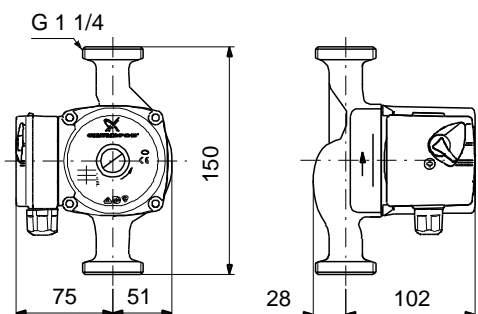
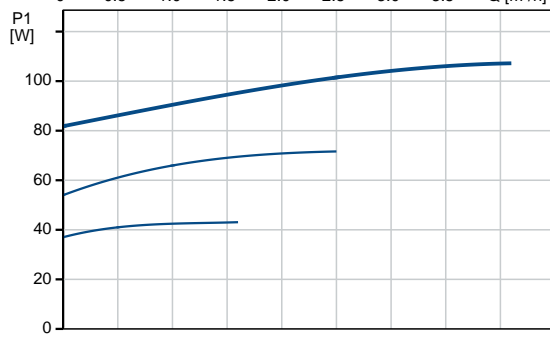
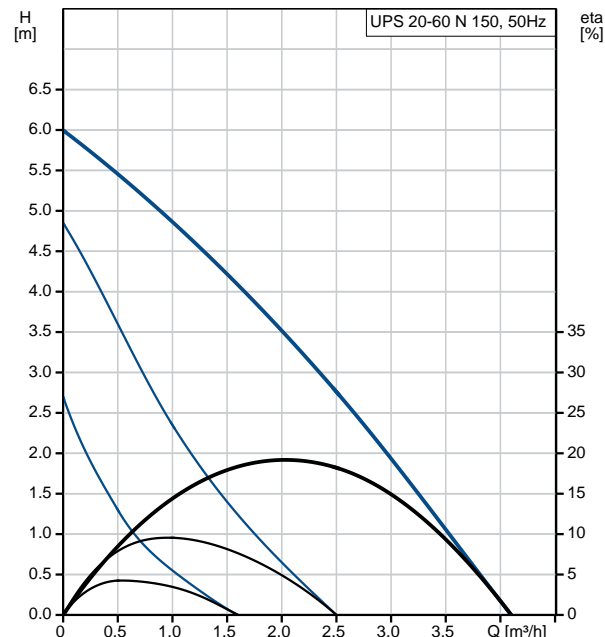
Position	Qty.	Description
	1	<p data-bbox="322 163 518 194">UPS 20-60 N 150</p>  <p data-bbox="711 595 1193 622" style="text-align: center;">Note! Product picture may differ from actual product</p> <p data-bbox="322 629 853 801"> Product No.: On request The pump is of the canned rotor type, i.e. pump and motor form an integral unit without shaft seal and with only two gaskets for sealing. The bearings are lubricated by the pumped liquid. The pump has 3-step speed selector. </p> <p data-bbox="322 808 943 981"> The pump is characterized by: <ul style="list-style-type: none"> * Ceramic shaft and radial bearings. * Carbon axial bearing. * Stainless steel rotor can and bearing plate. * Corrosion-resistant impeller, Composite, PES/PP. * Stainless steel pump housing. </p> <p data-bbox="322 1014 783 1070"> The motor is a 1-phase motor. No additional motor protection is required. </p> <p data-bbox="322 1104 818 1249"> Liquid: Pumped liquid: Water Liquid temperature range: 2 .. 110 °C Liquid temperature during operation: 60 °C Density: 983.2 kg/m³ </p> <p data-bbox="322 1283 914 1373"> Technical: TF class: 110 Approvals on nameplate: CE,VDE,EAC,WEEE </p> <p data-bbox="322 1406 906 1518"> Materials: Pump housing: Stainless steel DIN W.-Nr. 1.4301 Impeller: Composite, PES/PP </p> <p data-bbox="322 1552 778 1731"> Installation: Amb. max at 80 dgr C liquid: 40 °C Maximum operating pressure: 10 bar Pipe connection: G 1 1/4 Pressure rating: PN 10 (@): 150 mm </p> <p data-bbox="322 1765 794 2112"> Electrical data: Power input in speed 1: 50 W Power input in speed 2: 60 W Max. power input: 70 W Mains frequency: 50 Hz Rated voltage: 1 x 230 V Current in speed 1: 0.22 A Current in speed 2: 0.27 A Current in speed 3: 0.3 A Capacitor size - run: 2.5 µF Enclosure class (IEC 34-5): IP44 Insulation class (IEC 85): F </p>

Position	Qty.	Description
		<p>Others:</p> <p>Net weight: 2.8 kg</p> <p>Gross weight: 3 kg</p> <p>Shipping volume: 0.004 m³</p>

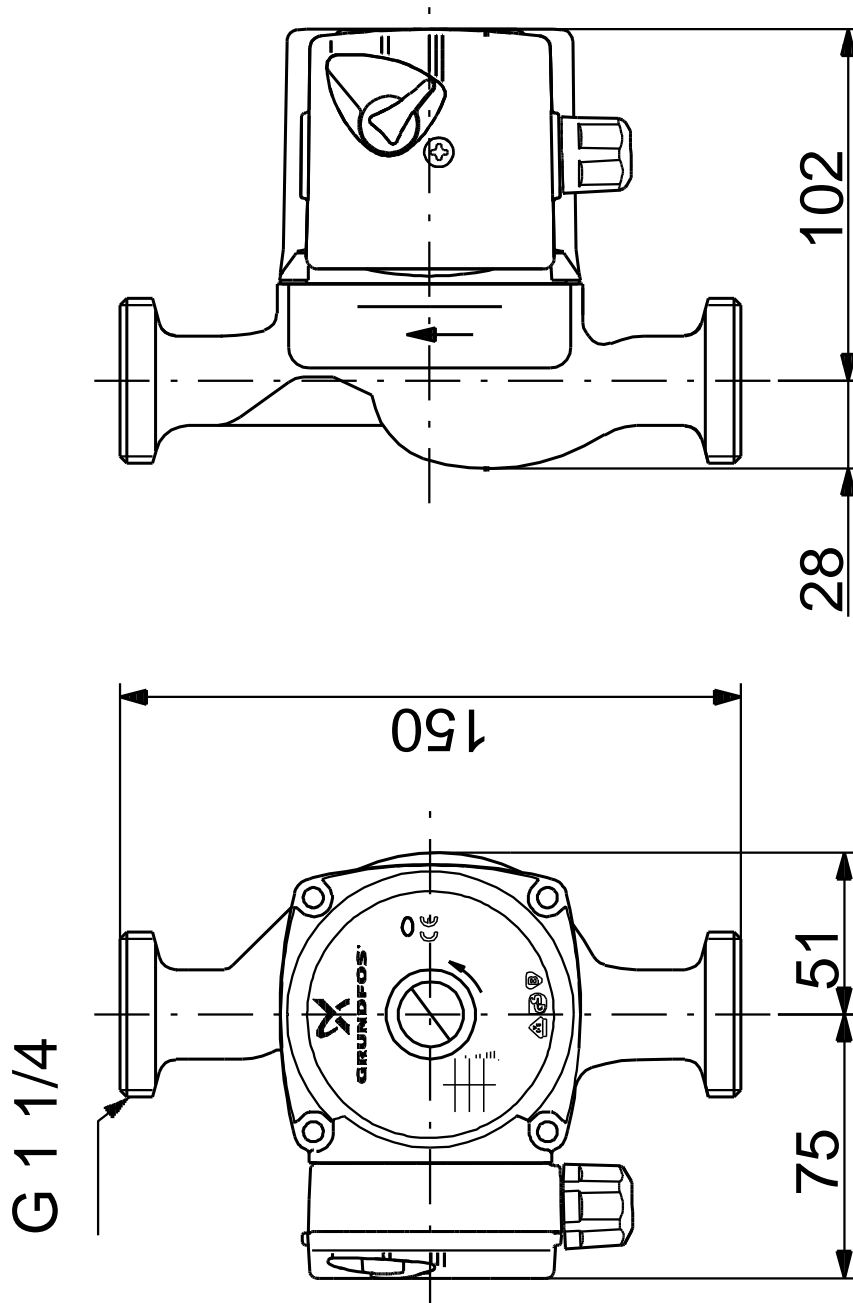
On request UPS 20-60 N 150 50 Hz



Description	Value
General information:	
Product name:	UPS 20-60 N 150
Product No:	On request
EAN number:	On request
Technical:	
Speed no:	3
Head max:	60 dm
TF class:	110
Approvals on nameplate:	CE,VDE,EAC,WEEE
Materials:	
Pump housing:	Stainless steel
	DIN W.-Nr. 1.4301
Impeller:	Composite, PES/PP
Installation:	
Amb. max at 80 dgr C liquid:	40 °C
Maximum operating pressure:	10 bar
Pipe connection:	G 1 1/4
Pressure rating:	PN 10
(@)	150 mm
Liquid:	
Pumped liquid:	Water
Liquid temperature range:	2 .. 110 °C
Liquid temperature during operation:	60 °C
Density:	983.2 kg/m ³
Electrical data:	
Power input in speed 1:	50 W
Power input in speed 2:	60 W
Max. power input:	70 W
Mains frequency:	50 Hz
Rated voltage:	1 x 230 V
Current in speed 1:	0.22 A
Current in speed 2:	0.27 A
Current in speed 3:	0.3 A
Capacitor size - run:	2.5 µF
Enclosure class (IEC 34-5):	IP44
Insulation class (IEC 85):	F
Motor protec:	NONE
Thermal protec:	Impedance protected
Controls:	
Pos term box:	9H
Others:	
Net weight:	2.8 kg
Gross weight:	3 kg
Shipping volume:	0.004 m ³

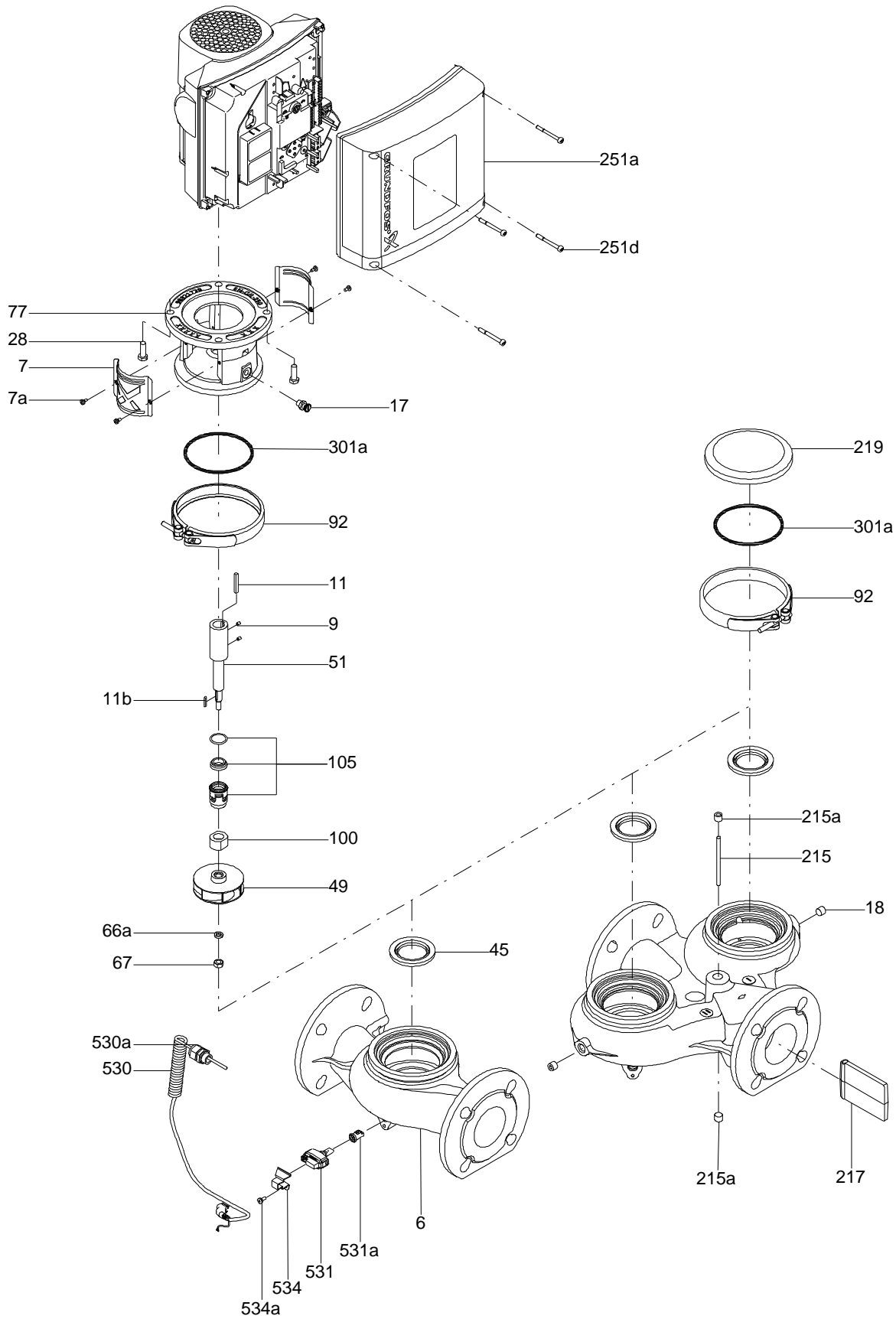


On request UPS 20-60 N 150 50 Hz



Note! All units are in [mm] unless others are stated.
Disclaimer: This simplified dimensional drawing does not show all details.

Exploded view

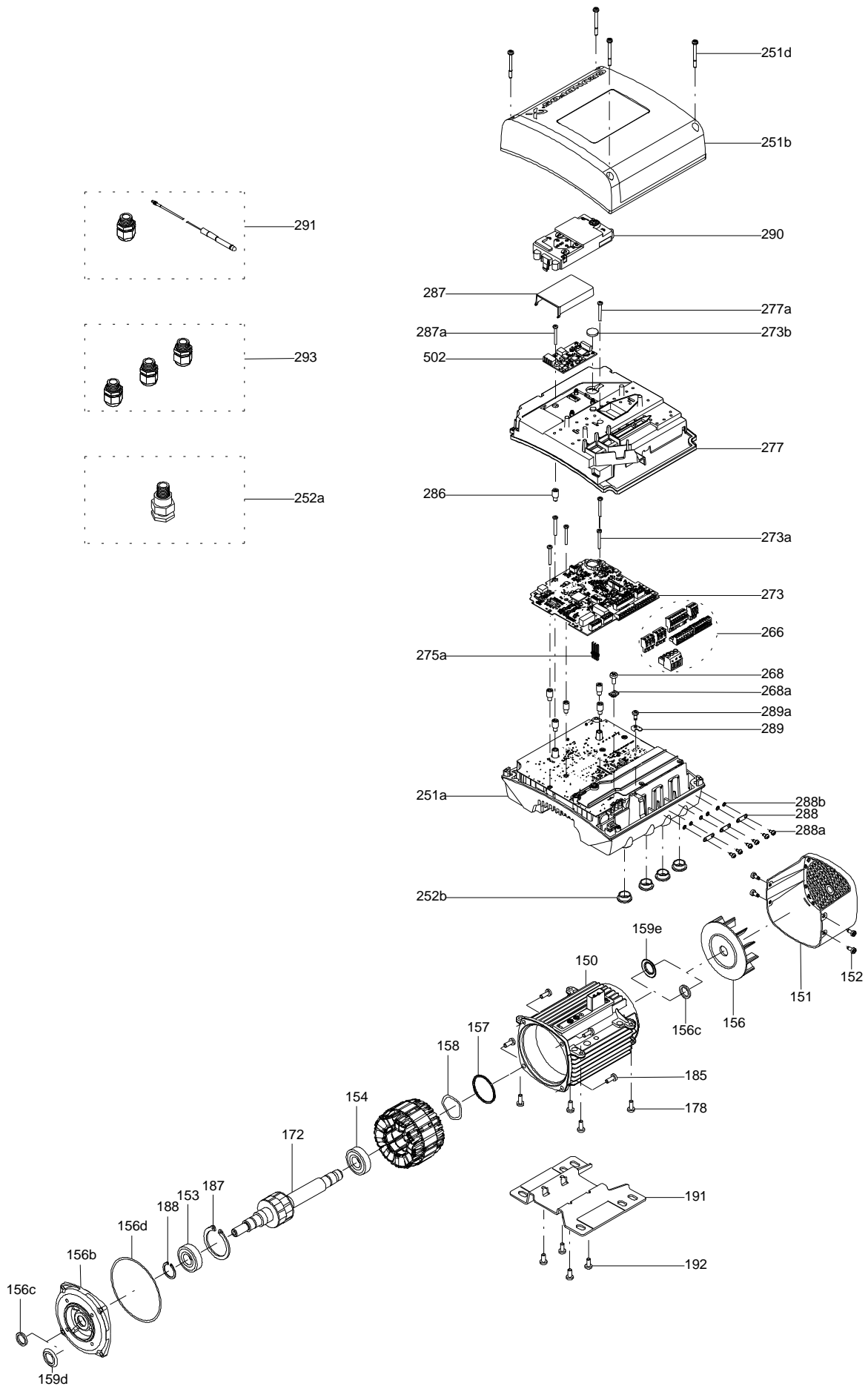


Sectional drawing (TM058200 for TPE2,TPE3)



TM058200

Exploded view (TM057026 for MGE model H/I)



Disclaimer: The information about the Grundfos pump in this document may be outdated.

Data may be subject to alterations without further notice.

Please contact us to verify the data above is still accurate/up-to-date.

All information is copyright Grundfos.



info@lenntech.com

<https://www.lenntech.com>

tel. +31 152 610 900

fax. +31 152 616 289