

CRI1S-25 A-FGJ-I-E-HQQE 3x230/400 50HZ
Grundfos pump 96527579




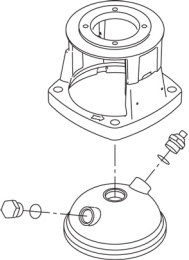
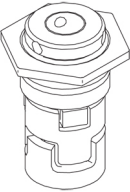
Thank you for your interest in our products. Please contact us for more information, or visit our website

<https://www.lenntech.com/grundfos/CRI1S/96527579/CRI-1S-25-A-FGJ-I-E-HQQE.html>

info@lenntech.com

tel. +31 152 610 900

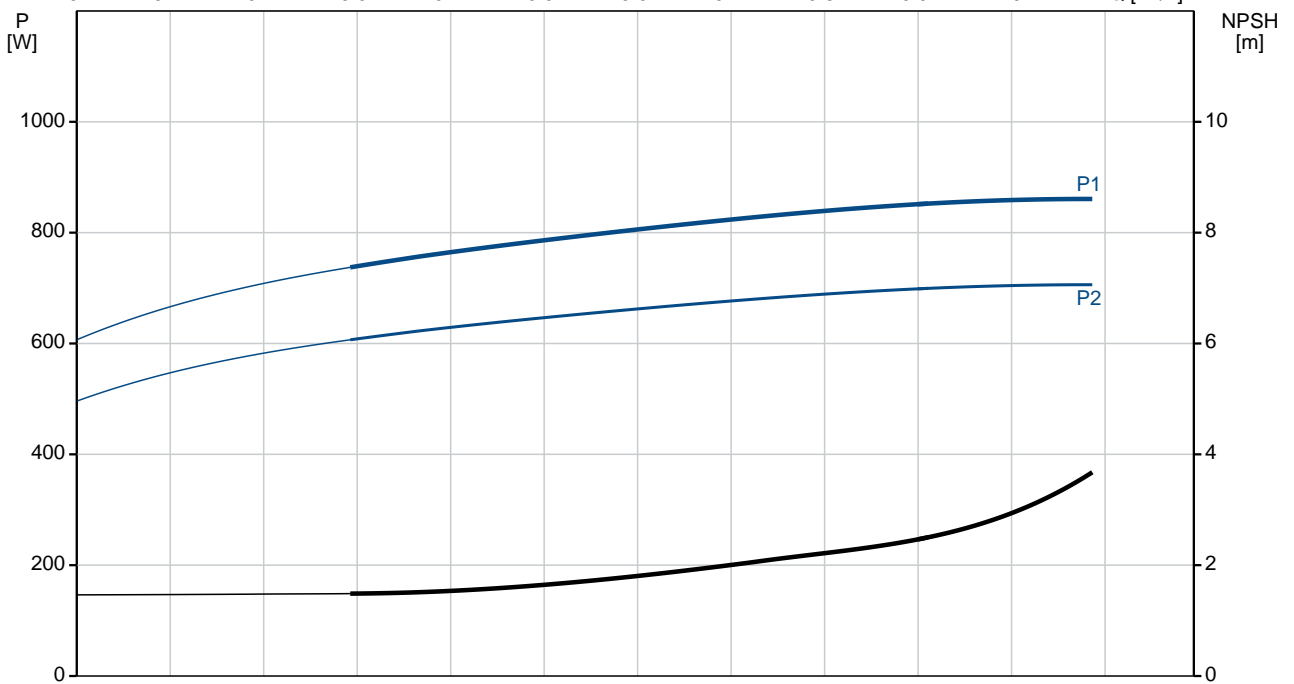
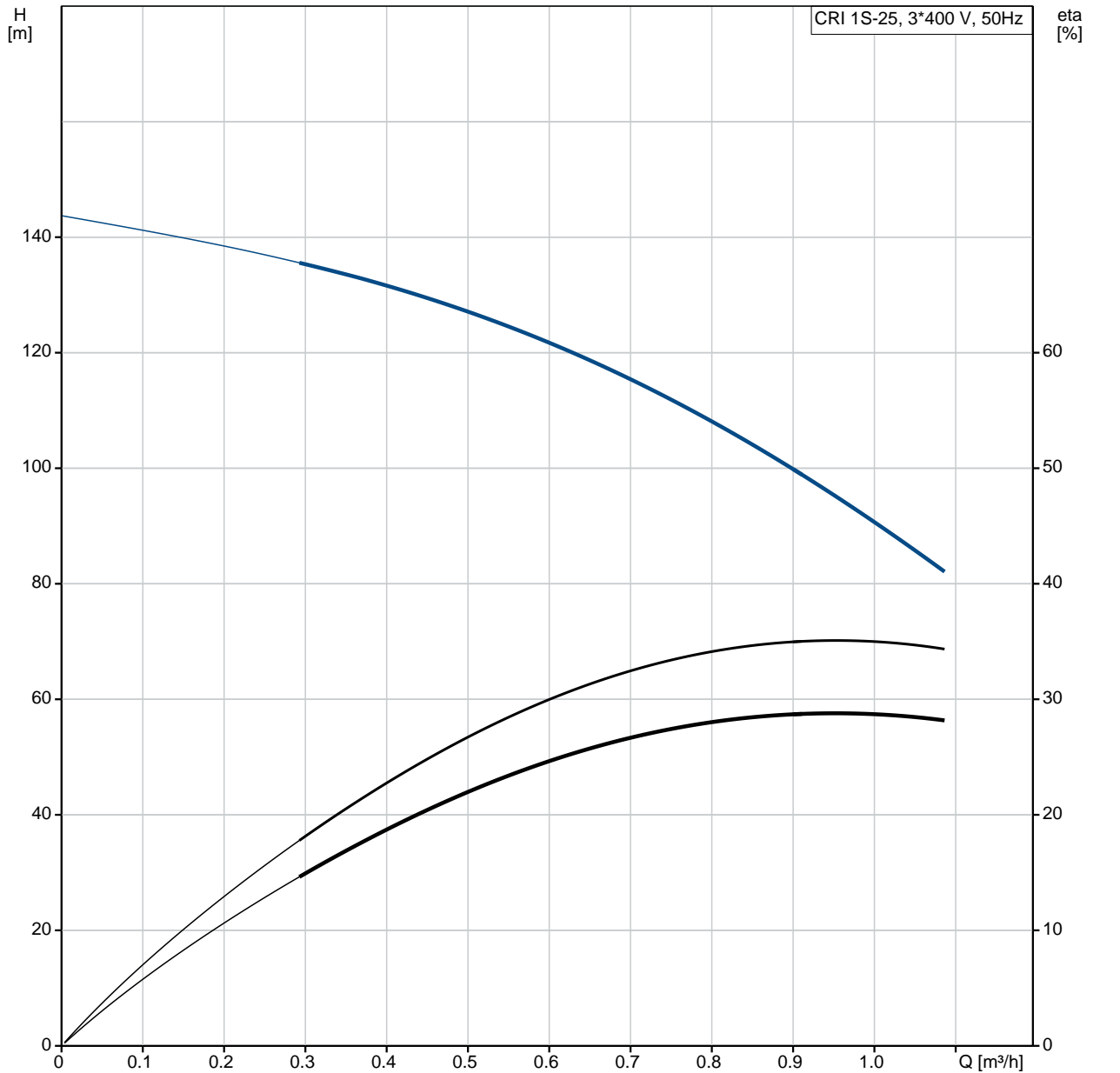
fax. +31 152 616 289

| Position | Qty. | Description |
|----------|------|---|
| | 1 | <p data-bbox="323 163 651 197">CRI 1S-25 A-FGJ-A-E-HQQE</p>  <p data-bbox="323 488 600 521">Product No.: On request</p> <p data-bbox="323 544 1449 622">Vertical, multistage centrifugal pump with inlet and outlet ports on same the level (inline). Pump materials in contact with the liquid are in stainless steel. Power transmission is via a rigid split coupling. Pipe connection is via combined DIN-ANSI-JIS flanges.</p> <p data-bbox="323 656 1054 689">The pump is fitted with a 3-phase, fan-cooled asynchronous motor.</p> <p data-bbox="323 723 639 757">Further product details</p> <p data-bbox="323 757 1449 857">Steel, cast iron and aluminium components have an epoxy-based coating made in a cathodic electro-deposition (CED) process. CED is a high-quality dip-painting process where an electrical field around the products ensures deposition of paint particles as a thin, well-controlled layer on the surface. An integral part of the process is a pretreatment. The entire process consists of these elements:</p> <ol data-bbox="323 869 815 992" style="list-style-type: none"> 1) Alkaline-based cleaning. 2) Zinc phosphating. 3) Cathodic electro-deposition. 4) Curing to a dry film thickness 18-22 my m. <p data-bbox="323 992 1027 1014">The colour code for the finished product is NCS 9000/RAL 9005.</p> <p data-bbox="323 1048 403 1081">Pump</p> <p data-bbox="323 1081 1449 1160">The pump head and flange for motor mounting is made in one piece (cast iron). The pump head cover is a separate component (stainless steel). The pump head has a combined 1/2" priming plug and vent screw.</p>  <p data-bbox="323 1462 1425 1563">The pump is fitted with a balanced O-ring seal unit with a rigid torque-transmission system. This seal type is assembled in a cartridge unit which makes replacement safe and easy. Due to the balancing, this seal type is suitable for high-pressure applications. The cartridge construction also protects the pump shaft from possible wear from a dynamic O-ring between pump shaft and shaft seal.</p> <p data-bbox="323 1574 467 1597">Primary seal:</p> <ul data-bbox="355 1608 919 1664" style="list-style-type: none"> • Rotating seal ring material: silicon carbide (SiC) • Stationary seat material: silicon carbide (SiC) <p data-bbox="323 1664 1425 1720">This material pairing is used where higher corrosion resistance is required. The high hardness of this material pairing offers good resistance against abrasive particles.</p> <p data-bbox="323 1720 986 1742">Secondary seal material: EPDM (ethylene-propylene rubber)</p> <p data-bbox="323 1753 1219 1776">EPDM has excellent resistance to hot water. EPDM is not suitable for mineral oils.</p>  <p data-bbox="323 2022 826 2056">The shaft seal is screwed into the pump head.</p> |

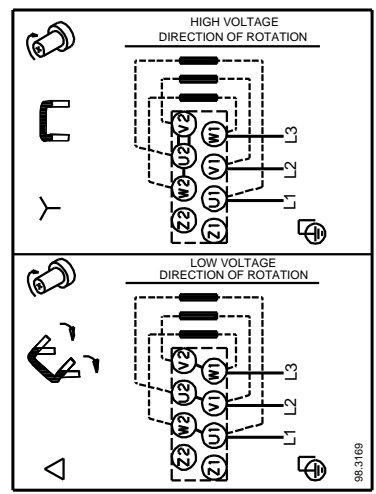
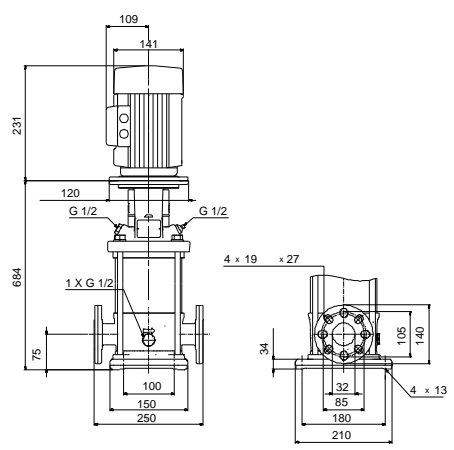
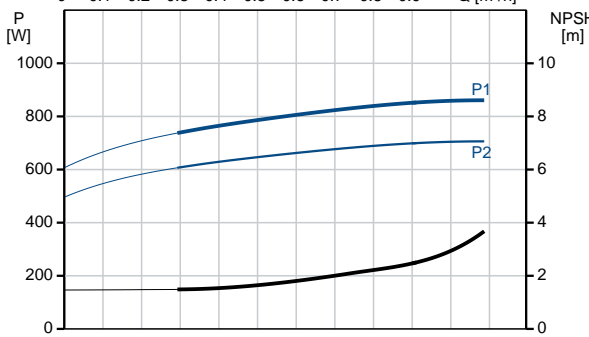
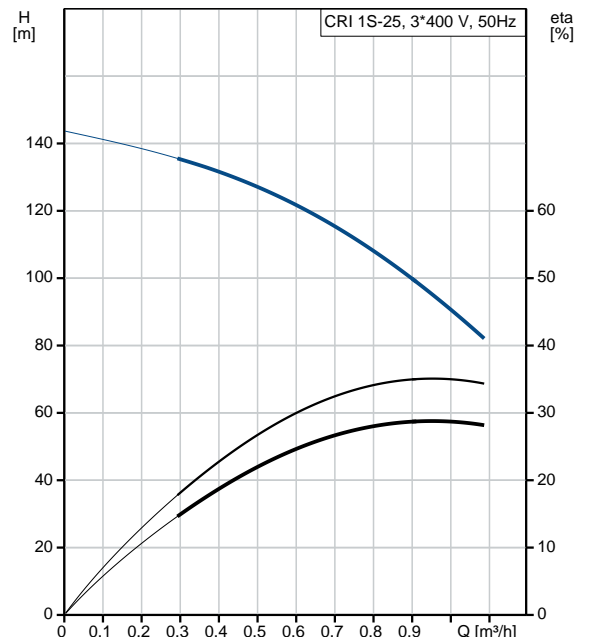
| Position | Qty. | Description |
|----------|------|--|
| | | <p>The pump has a stainless-steel base mounted on a separate base plate. This base and base plate are kept in position by the tension of the staybolts which hold the pump together. The outlet side of the base has a combined drain plug and bypass valve. The pump is secured to the foundation by four bolts through the base plate. The flanges and base are cast in one piece and prepared for connection by means of DIN, ANSI or JIS.</p> <p>Motor</p> <p>The motor is a totally enclosed, fan-cooled motor with principal dimensions to IEC and DIN standards. The motor is flange-mounted with tapped-hole flange (FT).</p> <p>Motor-mounting designation in accordance with IEC 60034-7: IM B 14 (Code I) / IM 3601 (Code II). Electrical tolerances comply with IEC 60034. The motor efficiency is classified as IE3 in accordance with IEC 60034-30-1. The motor does not incorporate motor protection and must be connected to a motor-protective circuit breaker which can be manually reset. The motor-protective circuit breaker must be set according to the rated current of the motor (I1/1).</p> <p>Technical data</p> <p>Controls: Frequency converter: NONE</p> <p>Liquid: Pumped liquid: Water Liquid temperature range: -20 .. 120 °C Liquid temperature during operation: 20 °C Density: 998.2 kg/m³</p> <p>Technical: Rated flow: 0.9 m³/h Rated head: 97.3 m Pump orientation: Vertical Shaft seal arrangement: Single Code for shaft seal: HQQE Approvals on nameplate: CE, EAC, ACS Curve tolerance: ISO9906:2012 3B</p> <p>Materials: Base: Stainless steel EN 1.4408 AISI 316 Impeller: Stainless steel EN 1.4301 AISI 304 Bearing: SIC</p> <p>Installation: Maximum ambient temperature: 60 °C Maximum operating pressure: 25 bar Max pressure at stated temp: 25 bar / 120 °C 25 bar / -20 °C Type of connection: DIN / ANSI / JIS Size of inlet connection: DN 25/32 1 1/4 inch Size of outlet connection: DN 25/32 1 1/4 inch Pressure rating for pipe connection: PN 25 Flange rating inlet: 300 lb Flange size for motor: FT100</p> <p>Electrical data: Motor standard: IEC Motor type: 80A IE Efficiency class: IE3 Rated power - P2: 0.75 kW Power (P2) required by pump: 0.75 kW Mains frequency: 50 Hz</p> |

| Position | Qty. | Description |
|----------|------|---|
| | | <p>Rated voltage: 3 x 220-240D/380-415Y V</p> <p>Rated current: 3.30/1.90 A</p> <p>Starting current: 580-620 %</p> <p>Cos phi - power factor: 0.81-0.71</p> <p>Rated speed: 2840-2870 rpm</p> <p>Efficiency: IE3 80,7%</p> <p>Motor efficiency at full load: 80.7 %</p> <p>Motor efficiency at 3/4 load: 82.7 %</p> <p>Motor efficiency at 1/2 load: 81.7 %</p> <p>Number of poles: 2</p> <p>Enclosure class (IEC 34-5): 55 Dust/Jetting</p> <p>Insulation class (IEC 85): F</p> <p>Others:</p> <p>Minimum efficiency index, MEI : 0.54</p> <p>Net weight: 32.5 kg</p> <p>Gross weight: 35.4 kg</p> <p>Shipping volume: 0.13 m³</p> |

On request CRI 1S-25 A-FGJ-A-E-HQQE 50 Hz



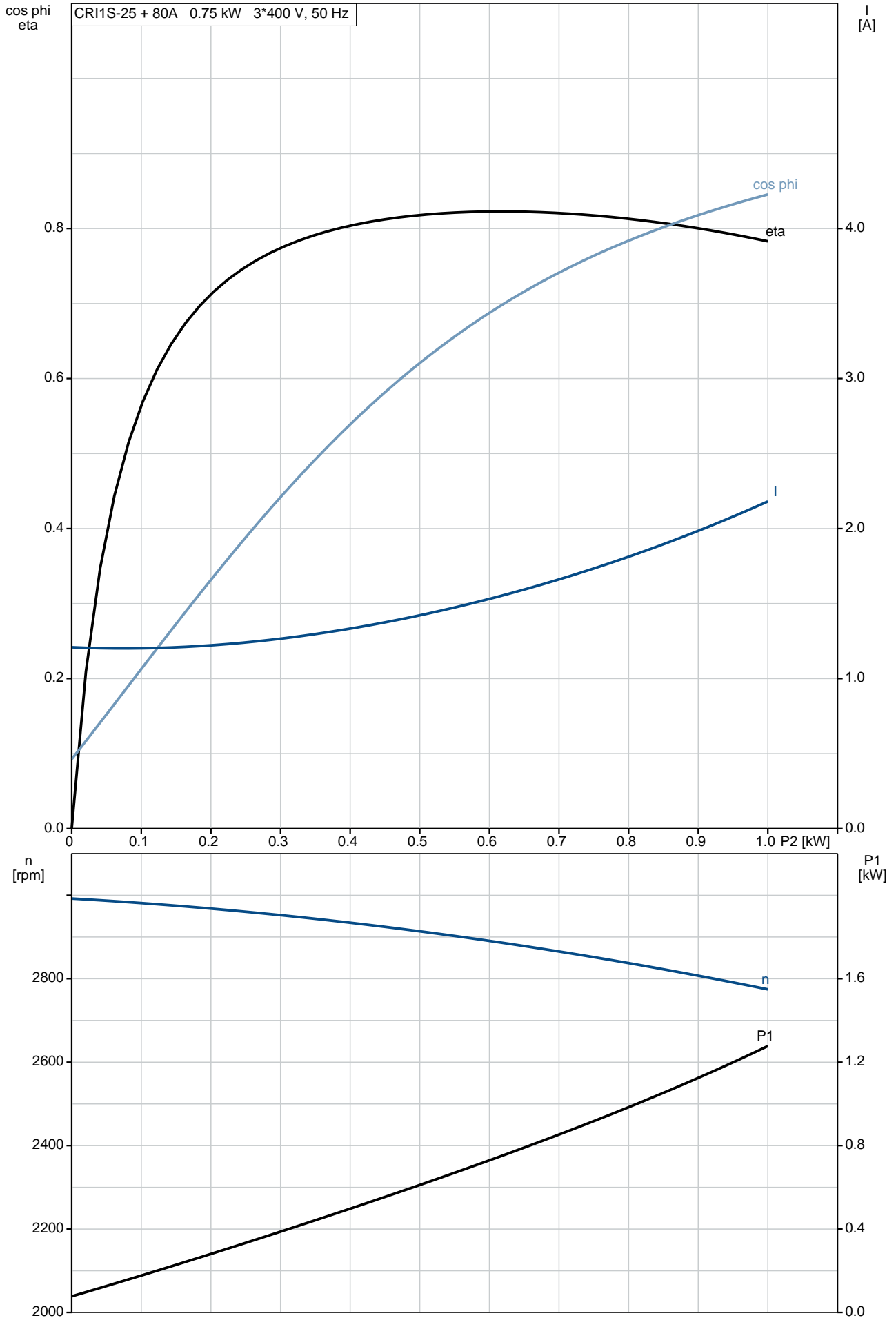
| Description | Value |
|---------------------------------------|--|
| General information: | |
| Product name: | CRI 1S-25 A-FGJ-A-E-HQQE |
| Product No: | On request |
| EAN number: | On request |
| Technical: | |
| Rated flow: | 0.9 m ³ /h |
| Rated head: | 97.3 m |
| Stages: | 25 |
| Impellers: | 25 |
| Number of reduced-diameter impellers: | 0 |
| Low NPSH: | N |
| Pump orientation: | Vertical |
| Shaft seal arrangement: | Single |
| Code for shaft seal: | HQQE |
| Approvals on nameplate: | CE, EAC, ACS |
| Curve tolerance: | ISO9906:2012 3B |
| Pump version: | A |
| Model: | A |
| Materials: | |
| Base: | Stainless steel EN 1.4408 AISI 316 |
| Impeller: | Stainless steel EN 1.4301 AISI 304 |
| Material code: | A |
| Code for rubber: | E |
| Bearing: | SIC |
| Installation: | |
| Maximum ambient temperature: | 60 °C |
| Maximum operating pressure: | 25 bar |
| Max pressure at stated temp: | 25 bar / 120 °C 25 bar / -20 °C |
| Type of connection: | DIN / ANSI / JIS |
| Size of inlet connection: | DN 25/32 1 1/4 inch |
| Size of outlet connection: | DN 25/32 1 1/4 inch |
| Pressure rating for pipe connection: | PN 25 |
| Flange rating inlet: | 300 lb |
| Flange size for motor: | FT100 |
| Connect code: | FGJ |
| Liquid: | |
| Pumped liquid: | Water |
| Liquid temperature range: | -20 .. 120 °C |
| Liquid temperature during operation: | 20 °C |
| Density: | 998.2 kg/m ³ |
| Electrical data: | |
| Motor standard: | IEC |
| Motor type: | 80A |
| IE Efficiency class: | IE3 |
| Rated power - P2: | 0.75 kW |
| Power (P2) required by pump: | 0.75 kW |
| Mains frequency: | 50 Hz |
| Rated voltage: | 3 x 220-240D/380-415Y V |
| Rated current: | 3.30/1.90 A |
| Starting current: | 580-620 % |
| Cos phi - power factor: | 0.81-0.71 |
| Rated speed: | 2840-2870 rpm |
| Efficiency: | IE3 80,7% |
| Motor efficiency at full load: | 80.7 % |
| Motor efficiency at 3/4 load: | 82.7 % |



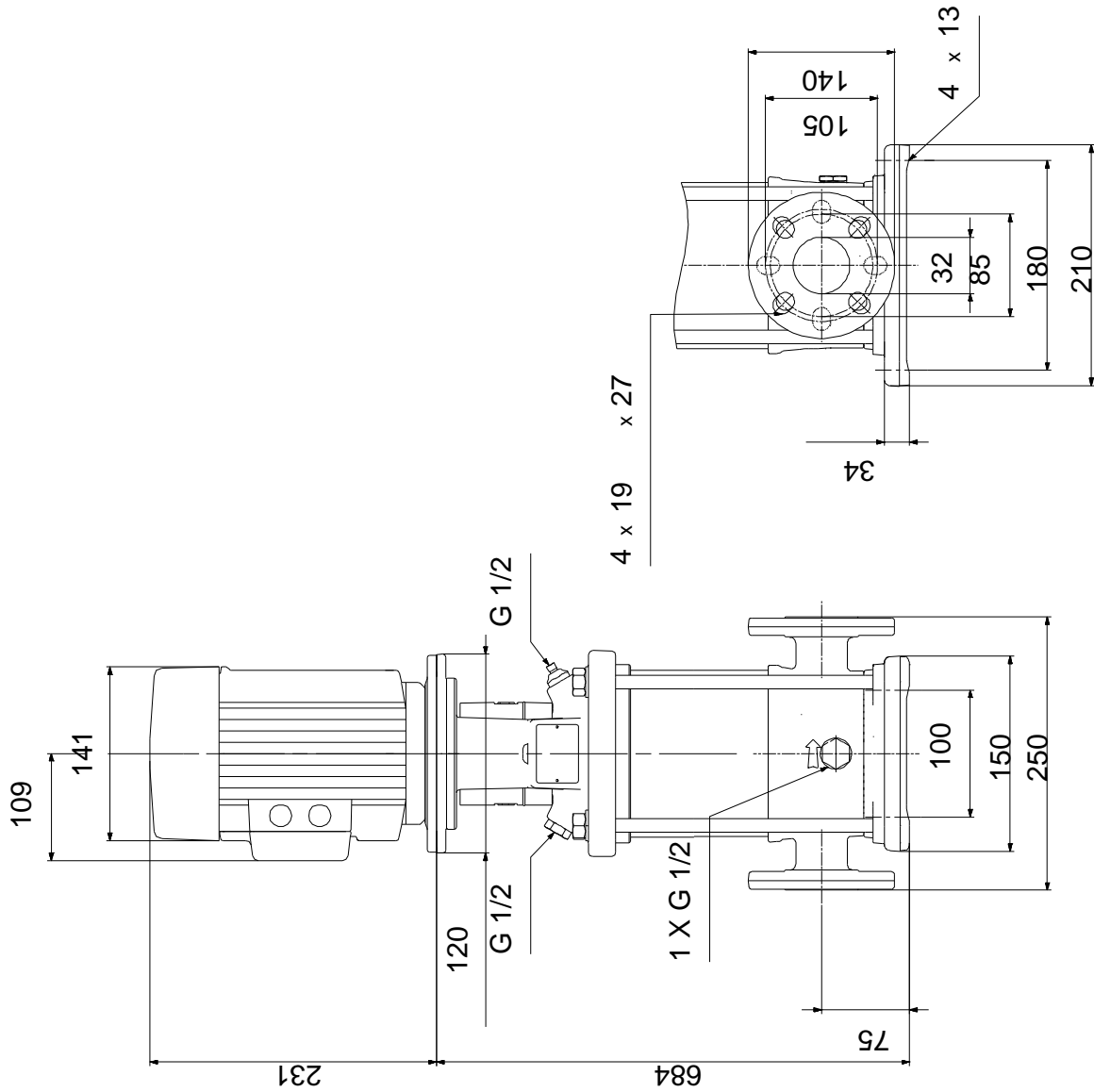
| Description | Value |
|---------------------------------|---------------------|
| Motor efficiency at 1/2 load: | 81.7 % |
| Number of poles: | 2 |
| Enclosure class (IEC 34-5): | 55 Dust/Jetting |
| Insulation class (IEC 85): | F |
| Motor protec: | NONE |
| Motor No: | 85905175 |
| Controls: | |
| Frequency converter: | NONE |
| Others: | |
| Minimum efficiency index, MEI : | 0.54 |
| Net weight: | 32.5 kg |
| Gross weight: | 35.4 kg |
| Shipping volume: | 0.13 m ³ |

On request CRI 1S-25 A-FGJ-A-E-HQQE 50 Hz

CRI1S-25 + 80A 0.75 kW 3*400 V, 50 Hz



On request CRI 1S-25 A-FGJ-A-E-HQQE 50 Hz



Note! All units are in [mm] unless others are stated.
 Disclaimer: This simplified dimensional drawing does not show all details.

Exploded view



Sectional drawing (TM058200 for TPE2,TPE3)



TM058200

Exploded view (TM057026 for MGE model H/I)



Parts list CRI 1S-25, Product No. On request
Valid from 1.1.2011 (1152)

| Pos | Description | Annotation | Données de classification | Référence | Quantité | Unité |
|-------|---------------------------|------------|---------------------------|-----------|----------|-------|
| + | Motor | | | | 1 | pcs |
| - | Base cpl. | | | | 1 | pcs |
| 6 | Base | | | | 1 | |
| 56 | Base plate | | | | 1 | |
| 201.a | Flange | | | | 2 | |
| 203 | Lock ring | | | | 2 | |
| - | Sealing parts | | | | 1 | pcs |
| - 25 | Drain plug w/bypass valve | | | | 1 | |
| 38 | O-ring | | Diameter: 16,3 | | 1 | |
| | | | Material type: EPDM | | | |
| | | | Thickness: 2,4 | | | |
| 37 | O-ring | | | | 2 | |
| 100 | O-ring | | Diameter: 16,3 | | 2 | |
| | | | Material type: EPDM | | | |
| | | | Thickness: 2,4 | | | |
| - 2 | Pump head cpl. | | | | 1 | pcs |
| 2 | Pump head | | | | 1 | |
| 7 | Coupling guard | | | | 2 | |
| 7.a | Combi Slot Torx screw | | | | 4 | |
| - 18 | Air vent screw | | | | 1 | |
| | Plug | | | | 1 | |
| | Spindle | | | | 1 | |
| 23a | Plug | | | | 1 | |
| 28 | Hex head screw | | Length (mm): 25 MM | | 4 | |
| | | | Thread: M6 | | | |
| 60 | Formed wire spring | | | | 1 | |
| 77 | Pump cover | | | | 1 | |
| - 8 | Coupling cpl. | | | | 1 | pcs |
| 9 | Hex socket head cap screw | | Designation: DIN 912 | | 4 | |
| | | | Length (mm): 20 | | | |
| | | | Thread: M6 | | | |
| 10 | Shaft pin | | Diameter: 5 | | 1 | |
| | | | Length (mm): 26 | | | |
| 10a | Coupling half | | | | 2 | |
| 26 | Staybolt | | Length (mm): 544 | | 4 | pcs |
| | | | Thread: M12 | | | |
| 36a | Washer | | Designation: DIN 125 A | | 4 | pcs |
| | | | Internal diameter: 13 | | | |
| | | | Outer diameter: 24 | | | |
| | | | Thickness: 2,5 | | | |
| 55 | Outer sleeve | | | | 1 | pcs |
| 66a | Nut | | Thread: M12 | | 4 | pcs |
| - 80 | Chamber stack | | | | 1 | pcs |
| - 4 | Chamber cpl. | | | | 21 | |
| | Guide vane | | | | 6 | |
| | Plate | | | | 1 | |
| | Retainer | | | | 1 | |
| | Intermediate chamber | | | | 1 | |
| | Vane | | | | 1 | |
| 45 | Neck ring | | | | 1 | |
| 65 | Retainer | | | | 1 | |
| - 4a | Chamber w. bearing cpl. | | | | 3 | |
| | Guide vane | | | | 6 | |
| | Retainer for bearing | | | | 1 | |
| | Bearing bush | | | | 1 | |
| | Retainer | | | | 1 | |
| | Intermediate chamber | | | | 1 | |
| | Vane | | | | 1 | |
| 45 | Neck ring | | | | 1 | |

| Pos | Description | Annotation | Données de classification | Référence | Quantité | Unité |
|-------|------------------------|------------|---------------------------|-----------|----------|-------|
| 65 | Retainer | | | | 1 | |
| - 5a | Chamber cpl. | | | | 1 | |
| | Retainer | | | | 1 | |
| | Intermediate chamber | | | | 1 | |
| | Vane | | | | 1 | |
| 45 | Neck ring | | | | 1 | |
| 65 | Retainer | | | | 1 | |
| 36 | Lock nut | | Thread: M8 | | 1 | |
| 47a | Bearing ring, rotating | | | | 3 | |
| - 49 | Impeller cpl. | | | | 25 | |
| 49 | Impeller | | | | 1 | |
| - 50a | Guide vane cpl. | | | | 1 | |
| | Plate | | | | 1 | |
| 50a | Guide vane | | | | 6 | |
| 50b | Top plate | | | | 1 | |
| 51 | Shaft, spline, cpl. | | | | 1 | |
| 64a | Spacing pipe | | | | 21 | |
| 64a | Spacing pipe | | Internal diameter: 12,85 | | 3 | |
| | | | Outer diameter: 15,85 | | | |
| | | | Length (mm): 4,50 | | | |
| 64c | Clamp, splined | | Internal diameter: 8,5 | | 1 | |
| | | | Outer diameter: 15 | | | |
| 66 | Wedge lock washer | | | | 1 | |
| - 105 | Shaft seal | | Material type: HQQE | | 1 | pcs |
| | O-ring | | | | 1 | |
| | O-ring | | | | 1 | |
| | Seal driver, upper | | | | 1 | |
| | Seal driver, lower | | | | 1 | |
| | Spacer ring | | | | 1 | |
| | Pipe | | | | 1 | |
| | Plug | | | | 1 | |
| | Plug | | | | 1 | |
| | Compression spring | | | | 1 | |
| | Socket set screw | | | | 1 | |
| 102 | O-ring | | Diameter: 22,00 | | 1 | |
| | | | Material type: EPDM | | | |
| | | | Thickness: 2,75 | | | |
| 103 | Seal ring, stationary | | | | 1 | |
| 105 | Seal ring, rotating | | | | 1 | |
| 107 | O-ring | | | | 1 | |
| 113 | Driver | | | | 1 | |

Disclaimer: The information about the Grundfos pump in this document may be outdated.

Data may be subject to alterations without further notice.

Please contact us to verify the data above is still accurate/up-to-date.

All information is copyright Grundfos.



info@lenntech.com

<https://www.lenntech.com>

tel. +31 152 610 900

fax. +31 152 616 289