

CRN3-23 A-P-G-V-HQQV 3x400D 50HZ

Grundfos pump 96513465




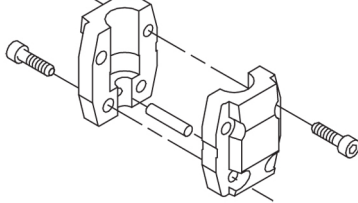
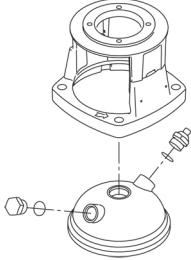
Thank you for your interest in our products. Please contact us for more information, or visit our website

<https://www.lenntech.com/grundfos/CRN03/96513465/CRN-3-23-A-P-G-V-HQQV.html>

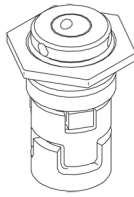
info@lenntech.com

tel. +31 152 610 900

fax. +31 152 616 289

| Position | Qty. | Description |
|----------|------|--|
| | 1 | <p data-bbox="319 168 614 190">CRN 3-23 A-P-A-V-HQQV</p>  <p data-bbox="319 481 598 504">Product No.: On request</p> <p data-bbox="319 548 1444 638">Vertical, multistage centrifugal pump with inlet and outlet ports on same the level (inline). Pump materials in contact with the liquid are in high-grade stainless steel. A cartridge shaft seal ensures high reliability, safe handling, and easy access and service. Power transmission is via a rigid split coupling. Pipe connection is via PJE (Victaulic®) couplings.</p> <p data-bbox="319 683 1053 705">The pump is fitted with a 3-phase, fan-cooled asynchronous motor.</p> <p data-bbox="319 750 638 772">Further product details</p> <p data-bbox="319 784 1444 873">Steel, cast iron and aluminium components have an epoxy-based coating made in a cathodic electro-deposition (CED) process. CED is a high-quality dip-painting process where an electrical field around the products ensures deposition of paint particles as a thin, well-controlled layer on the surface. An integral part of the process is a pretreatment. The entire process consists of these elements:</p> <ol data-bbox="319 896 813 1008" style="list-style-type: none"> 1) Alkaline-based cleaning. 2) Zinc phosphating. 3) Cathodic electro-deposition. 4) Curing to a dry film thickness 18-22 my m. <p data-bbox="319 1019 1029 1041">The colour code for the finished product is NCS 9000/RAL 9005.</p> <p data-bbox="319 1075 399 1097">Pump</p> <p data-bbox="319 1108 1412 1153">A standard split coupling connects the pump and motor shaft. It is enclosed in the pump head/motor stool by means of two coupling guards.</p>  <p data-bbox="319 1411 1444 1478">The pump head and flange for motor mounting is made in one piece (cast iron). The pump head cover is a separate component (stainless steel). The pump head has a combined 1/2" priming plug and vent screw.</p>  <p data-bbox="319 1792 1420 1881">The pump is fitted with a balanced O-ring seal unit with a rigid torque-transmission system. This seal type is assembled in a cartridge unit which makes replacement safe and easy. Due to the balancing, this seal type is suitable for high-pressure applications. The cartridge construction also protects the pump shaft from possible wear from a dynamic O-ring between pump shaft and shaft seal.</p> <p data-bbox="319 1904 470 1926">Primary seal:</p> <ul data-bbox="359 1937 917 1982" style="list-style-type: none"> • Rotating seal ring material: silicon carbide (SiC) • Stationary seat material: silicon carbide (SiC) <p data-bbox="319 1993 1428 2038">This material pairing is used where higher corrosion resistance is required. The high hardness of this material pairing offers good resistance against abrasive particles.</p> <p data-bbox="319 2049 893 2072">Secondary seal material: FKM (fluorocarbon rubber)</p> |

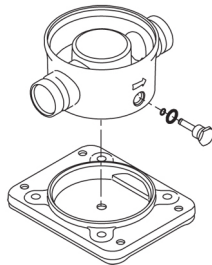
FKM has excellent resistance to oils and chemicals. Above 90 °C, FKM should only be used in media without water.



The shaft seal is screwed into the pump head.

The chambers and impellers are made of stainless-steel sheet. The chambers are provided with a PTFE neck ring offering improved sealing and high efficiency. The impellers have smooth surfaces, and the shape of the blades ensure a high efficiency.

The pump has a stainless-steel base mounted on a separate base plate. The base and base plate are kept in position by the tension of the staybolts which hold the pump together. The outlet side of the base has a combined drain plug and bypass valve. The pump is secured to the foundation by four bolts through the base plate. The base is prepared for connection by means of PJE (Victualic®) couplings.



Motor

The motor is a totally enclosed, fan-cooled motor with principal dimensions to IEC and DIN standards. The motor is flange-mounted with tapped-hole flange (FT).

Motor-mounting designation in accordance with IEC 60034-7: IM B 14 (Code I) / IM 3601 (Code II).

Electrical tolerances comply with IEC 60034.

The motor efficiency is classified as IE3 in accordance with IEC 60034-30-1.

The motor does not incorporate motor protection and must be connected to a motor-protective circuit breaker which can be manually reset. The motor-protective circuit breaker must be set according to the rated current of the motor (I1/1).

The motor can be connected to a variable speed drive for adjustment of pump performance to any duty point. Grundfos CUE offers a range of variable speed drives. Please find more information in Grundfos Product Center.

Technical data

Controls:

Frequency converter: NONE

Liquid:

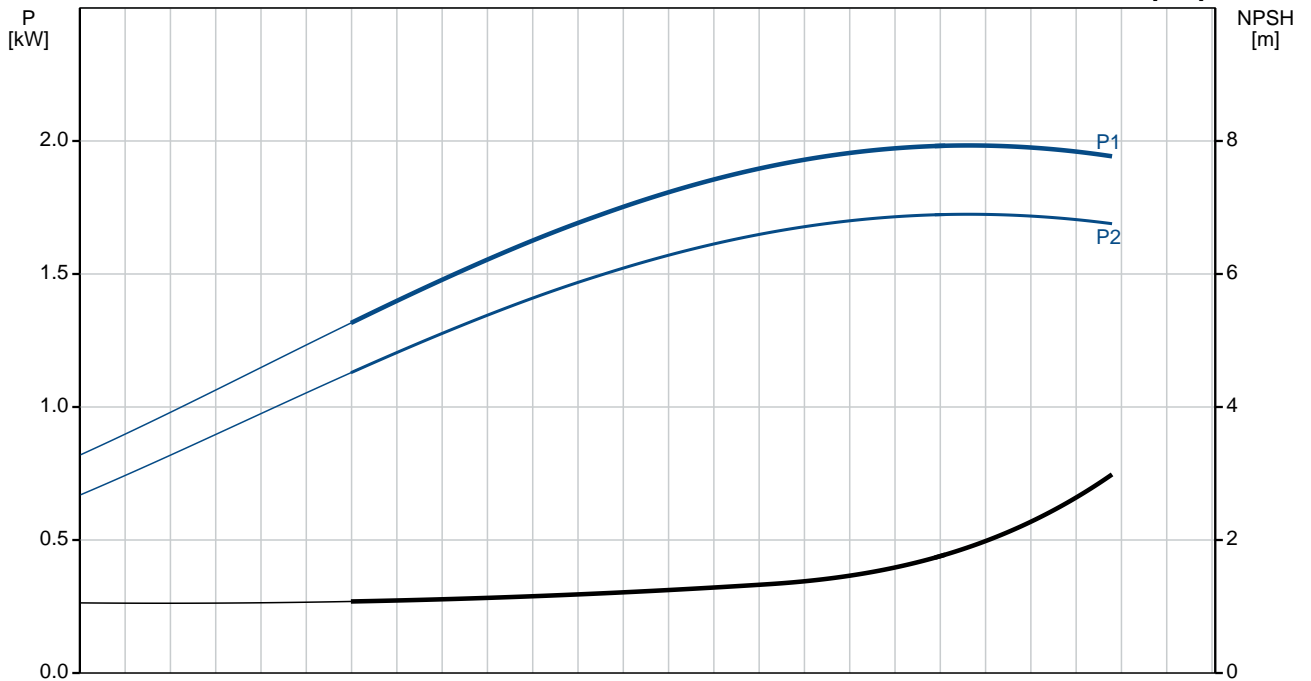
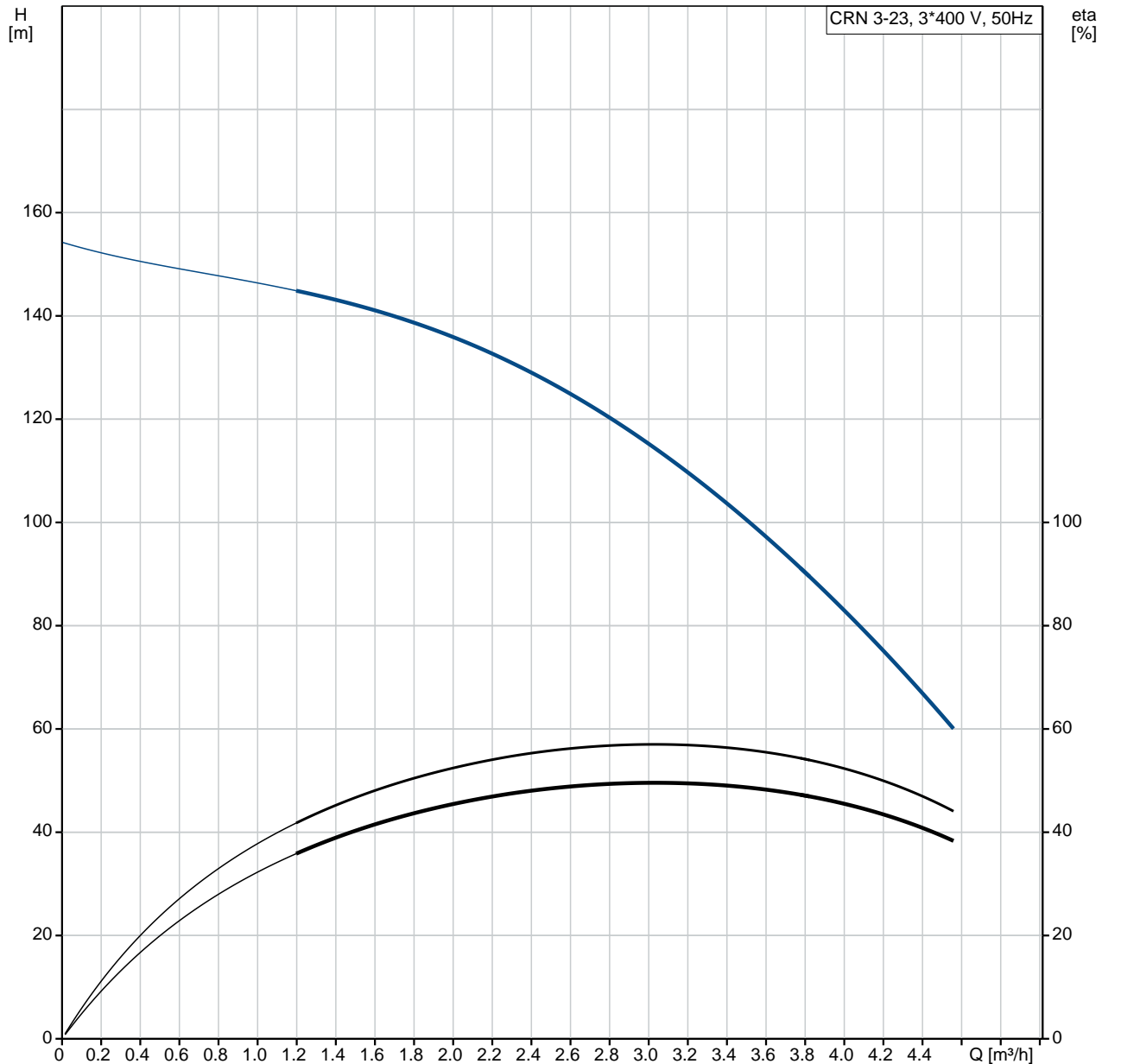
Pumped liquid: Water
Liquid temperature range: -20 .. 90 °C
Liquid temperature during operation: 20 °C
Density: 998.2 kg/m³

Technical:

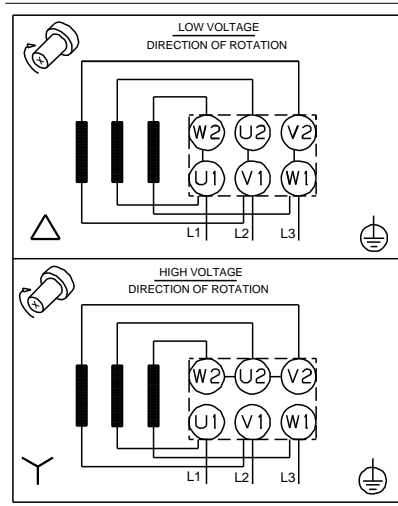
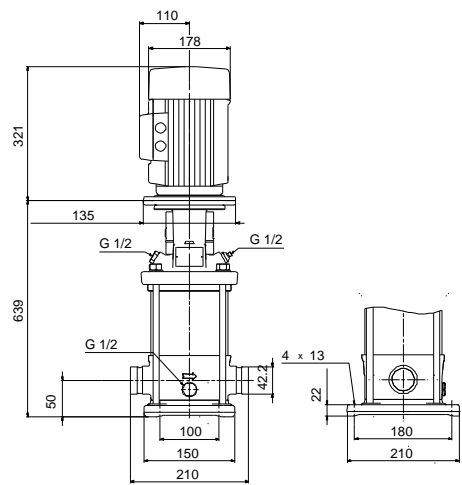
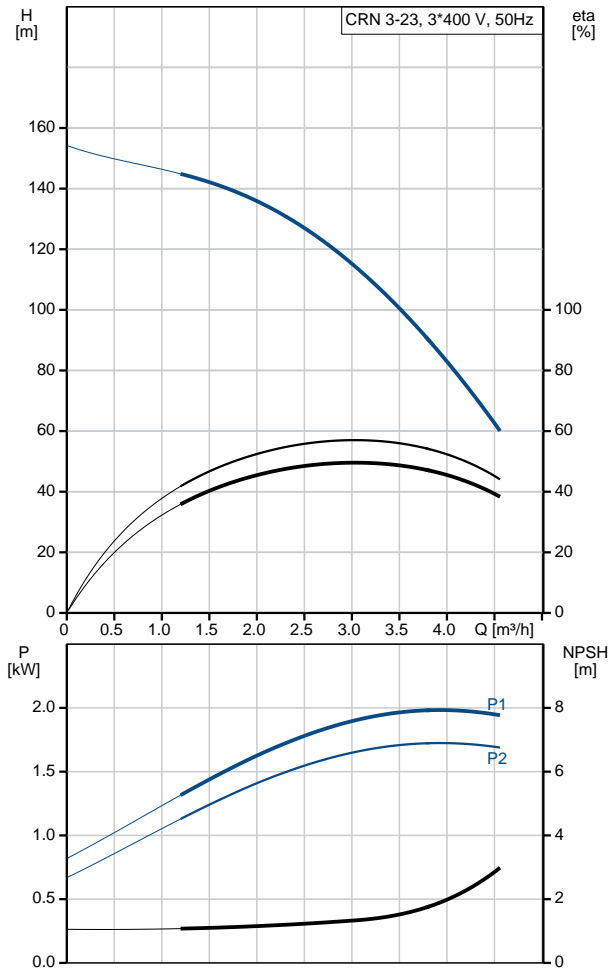
Rated flow: 3 m³/h
Rated head: 112.8 m
Pump orientation: Vertical
Shaft seal arrangement: Single
Code for shaft seal: HQQV
Approvals on nameplate: CE, EAC
Curve tolerance: ISO9906:2012 3B

| Position | Qty. | Description |
|----------|------|--|
| | | <p>Materials:</p> <p>Base: Stainless steel EN 1.4408 AISI 316</p> <p>Impeller: Stainless steel EN 1.4401 AISI 316</p> <p>Bearing: SIC</p> <p>Installation:</p> <p>Maximum ambient temperature: 60 °C Maximum operating pressure: 25 bar Max pressure at stated temp: 25 bar / 90 °C 25 bar / -20 °C</p> <p>Type of connection: PJE Size of inlet connection: DN 32 1 1/4 inch</p> <p>Size of outlet connection: DN 32 1 1/4 inch</p> <p>Pressure rating for pipe connection: PN 50 Flange size for motor: FT115</p> <p>Electrical data:</p> <p>Motor standard: IEC Motor type: 90LC IE Efficiency class: IE3 Rated power - P2: 2.2 kW Power (P2) required by pump: 2.2 kW Mains frequency: 50 Hz Rated voltage: 3 x 380-415D V Rated current: 4.45 A Starting current: 850-950 % Cos phi - power factor: 0.89-0.87 Rated speed: 2890-2910 rpm Efficiency: IE3 85,9% Motor efficiency at full load: 85.9 % Motor efficiency at 3/4 load: 86.8 % Motor efficiency at 1/2 load: 86.0 % Number of poles: 2 Enclosure class (IEC 34-5): 55 Dust/Jetting Insulation class (IEC 85): F</p> <p>Others:</p> <p>Minimum efficiency index, MEI : 0.7 Net weight: 40.4 kg Gross weight: 43.3 kg Shipping volume: 0.13 m³</p> |

On request CRN 3-23 A-P-A-V-HQQV 50 Hz



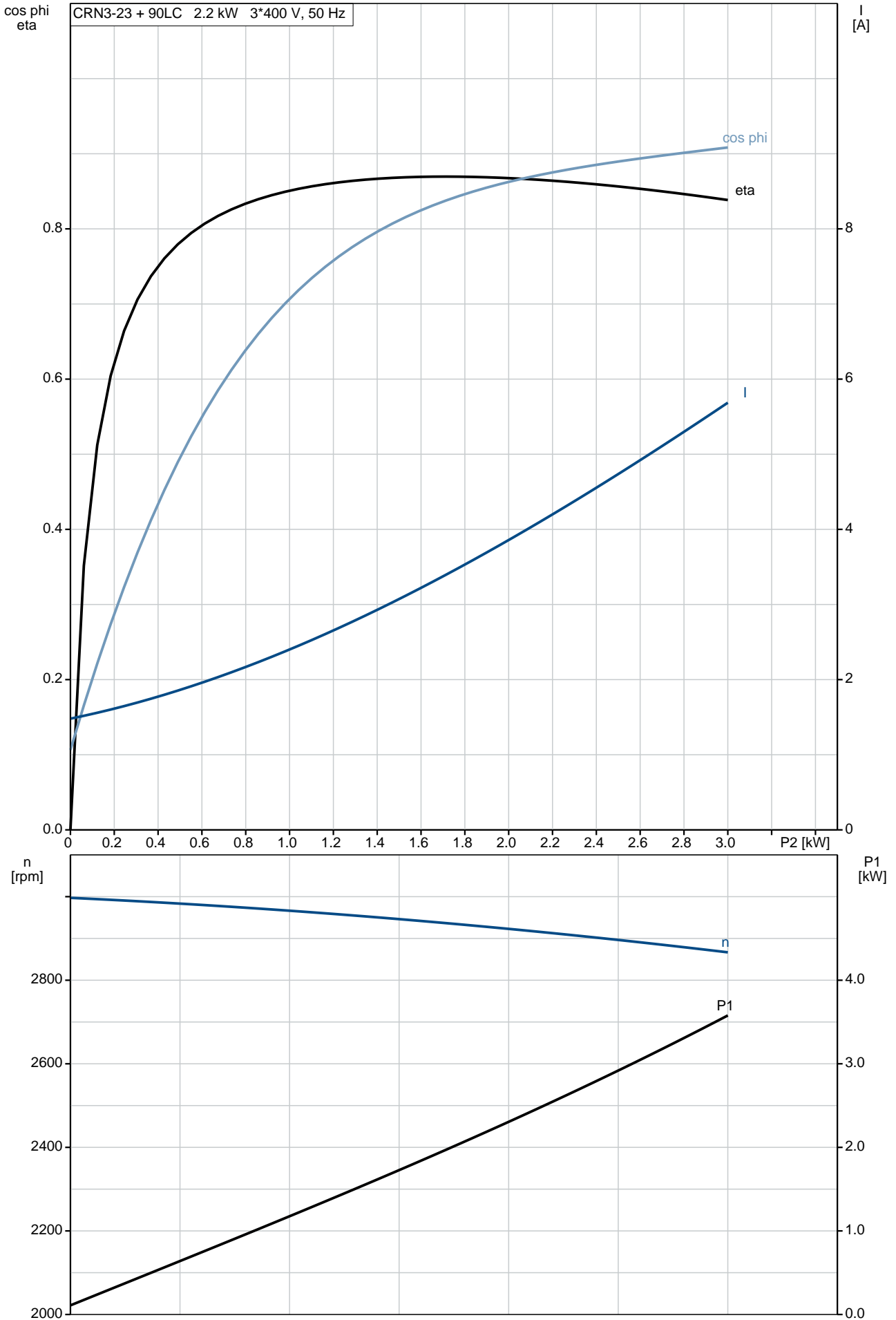
| Description | Value |
|---------------------------------------|--|
| General information: | |
| Product name: | CRN 3-23 A-P-A-V-HQQV |
| Product No: | On request |
| EAN number: | On request |
| Technical: | |
| Rated flow: | 3 m ³ /h |
| Rated head: | 112.8 m |
| Stages: | 23 |
| Impellers: | 23 |
| Number of reduced-diameter impellers: | 0 |
| Low NPSH: | N |
| Pump orientation: | Vertical |
| Shaft seal arrangement: | Single |
| Code for shaft seal: | HQQV |
| Approvals on nameplate: | CE, EAC |
| Curve tolerance: | ISO9906:2012 3B |
| Pump version: | A |
| Model: | A |
| Materials: | |
| Base: | Stainless steel EN 1.4408 AISI 316 |
| Impeller: | Stainless steel EN 1.4401 AISI 316 |
| Material code: | A |
| Code for rubber: | V |
| Bearing: | SIC |
| Installation: | |
| Maximum ambient temperature: | 60 °C |
| Maximum operating pressure: | 25 bar |
| Max pressure at stated temp: | 25 bar / 90 °C 25 bar / -20 °C |
| Type of connection: | PJE |
| Size of inlet connection: | DN 32 1 1/4 inch |
| Size of outlet connection: | DN 32 1 1/4 inch |
| Pressure rating for pipe connection: | PN 50 |
| Flange size for motor: | FT115 |
| Connect code: | P |
| Liquid: | |
| Pumped liquid: | Water |
| Liquid temperature range: | -20 .. 90 °C |
| Liquid temperature during operation: | 20 °C |
| Density: | 998.2 kg/m ³ |
| Electrical data: | |
| Motor standard: | IEC |
| Motor type: | 90LC |
| IE Efficiency class: | IE3 |
| Rated power - P2: | 2.2 kW |
| Power (P2) required by pump: | 2.2 kW |
| Mains frequency: | 50 Hz |
| Rated voltage: | 3 x 380-415D V |
| Rated current: | 4.45 A |
| Starting current: | 850-950 % |
| Cos phi - power factor: | 0.89-0.87 |
| Rated speed: | 2890-2910 rpm |
| Efficiency: | IE3 85,9% |
| Motor efficiency at full load: | 85.9 % |
| Motor efficiency at 3/4 load: | 86.8 % |
| Motor efficiency at 1/2 load: | 86.0 % |
| Number of poles: | 2 |



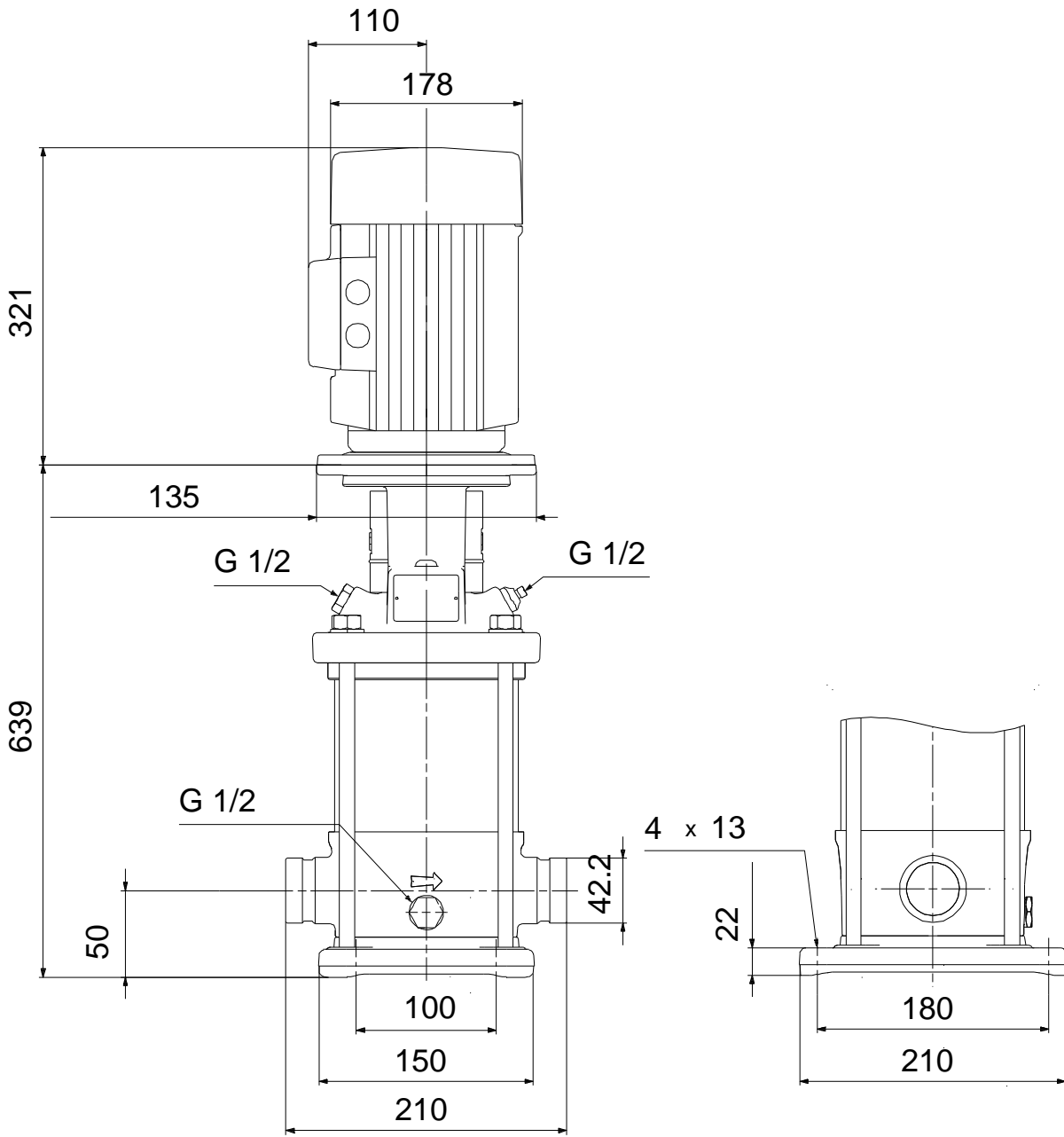
| Description | Value |
|---------------------------------|---------------------|
| Enclosure class (IEC 34-5): | 55 Dust/Jetting |
| Insulation class (IEC 85): | F |
| Motor protec: | NONE |
| Motor No: | 85U15908 |
| Controls: | |
| Frequency converter: | NONE |
| Others: | |
| Minimum efficiency index, MEI : | 0.7 |
| Net weight: | 40.4 kg |
| Gross weight: | 43.3 kg |
| Shipping volume: | 0.13 m ³ |

On request CRN 3-23 A-P-A-V-HQQV 50 Hz

CRN3-23 + 90LC 2.2 kW 3*400 V, 50 Hz



On request CRN 3-23 A-P-A-V-HQQV 50 Hz



Note! All units are in [mm] unless others are stated.
Disclaimer: This simplified dimensional drawing does not show all details.

Exploded view



Sectional drawing (TM058200 for TPE2,TPE3)



TM058200

Exploded view (TM057026 for MGE model H/I)



Parts list CRN 3-23, Product No. On request
Valid from 1.1.2011 (1152)

| Pos | Description | Annotation | Données de classification | Référence | Quantité | Unité |
|-------|---------------------------|------------|---------------------------|-----------|----------|-------|
| - | Base cpl. | | | | 1 | pcs |
| 6 | Base | | | | 1 | |
| 25 | Plug | | | | 2 | |
| 56 | Base plate | | | | 1 | |
| - | Sealing parts | | | | 1 | pcs |
| - 25 | Drain plug w/bypass valve | | | | 1 | |
| 38 | O-ring | | Diameter: 16,3 | | 1 | |
| | | | Material type: FKM | | | |
| | | | Thickness: 2,4 | | | |
| 37 | O-ring | | Diameter: 137,5 | | 2 | |
| | | | Material type: FKM | | | |
| | | | Thickness: 3,3 | | | |
| 100 | O-ring | | Diameter: 16,3 | | 2 | |
| | | | Material type: FKM | | | |
| | | | Thickness: 2,4 | | | |
| - 2 | Pump head cpl. | | | | 1 | pcs |
| 2 | Pump head | | | | 1 | |
| 7 | Coupling guard | | | | 2 | |
| 7.a | Combi Slot Torx screw | | | | 4 | |
| - 18 | Air vent screw | | | | 1 | |
| | Plug | | | | 1 | |
| | Spindle | | | | 1 | |
| 23a | Plug | | | | 1 | |
| 28 | Hex head screw | | Length (mm): 20 | | 4 | |
| | | | Thread: M8 | | | |
| 60 | Formed wire spring | | | | 1 | |
| 77 | Pump cover | | | | 1 | |
| - 8 | Coupling cpl. | | | | 1 | pcs |
| 9 | Hex socket head cap screw | | Designation: DIN 912 | | 4 | |
| | | | Length (mm): 25 | | | |
| | | | Thread: M8 | | | |
| 10 | Shaft pin | | Diameter: 5 | | 1 | |
| | | | Length (mm): 26 | | | |
| 10a | Coupling half | | | | 2 | |
| 26 | Staybolt | | Length (mm): 511 | | 4 | pcs |
| | | | Thread: M12 | | | |
| 36 | Nut | | Thread: M12 | | 4 | pcs |
| 55 | Outer sleeve | | | | 1 | pcs |
| 66a | Washer | | Designation: DIN 125 A2 | | 4 | pcs |
| | | | Internal diameter: 13 | | | |
| | | | Outer diameter: 24 | | | |
| | | | Thickness: 2,5 | | | |
| - 80 | Chamber stack | | | | 1 | pcs |
| - 4 | Chamber cpl. | | | | 19 | |
| 4a | Intermediate chamber | | | | 1 | |
| 45 | Neck ring | | | | 1 | |
| 65 | Neck ring retainer | | | | 1 | |
| - 4a | Chamber w. bearing cpl. | | | | 3 | |
| 4a | Intermediate chamber | | | | 1 | |
| 45 | Neck ring | | | | 1 | |
| 65 | Neck ring retainer | | | | 1 | |
| - 5a | Chamber cpl. | | | | 1 | |
| 4a | Intermediate chamber | | | | 1 | |
| 45 | Neck ring | | | | 1 | |
| 65 | Neck ring retainer | | | | 1 | |
| 36 | Lock nut | | Thread: M8 | | 1 | |
| 47a | Bearing ring, rotating | | | | 3 | |
| 49 | Impeller cpl. | | | | 23 | |
| - 50a | Guide vane cpl. | | | | 1 | |

| Pos | Description | Annotation | Données de classification | Référence | Quantité | Unité |
|--------|-----------------------|------------|---------------------------|-----------|----------|-------|
| | Guide vane | | | | 6 | |
| | Plate | | | | 1 | |
| 50b | Top plate | | | | 1 | |
| - 51 | Shaft, spline, cpl. | | | | 1 | |
| 51 | Shaft | | | | 1 | |
| 62 | Stop ring | | | | 1 | |
| 64a | Spacing pipe | | | | 19 | |
| 64a | Spacing pipe | | Internal diameter: 12,85 | | 3 | |
| | | | Outer diameter: 15,85 | | | |
| | | | Length (mm): 4,50 | | | |
| 64c | Clamp, splined | | Internal diameter: 8,5 | | 1 | |
| | | | Outer diameter: 15 | | | |
| 66 | Wedge lock washer | | | | 1 | |
| - 105 | Shaft seal | | Material type: HQQV | | 1 | pcs |
| | O-ring | | | | 1 | |
| | O-ring | | | | 1 | |
| | O-ring | | | | 1 | |
| | Seal driver, upper | | | | 1 | |
| | Seal driver, lower | | | | 1 | |
| | Spacer ring | | | | 1 | |
| | Pipe | | | | 1 | |
| | Plug | | | | 1 | |
| | Plug | | | | 1 | |
| | Compression spring | | | | 1 | |
| | Socket set screw | | | | 3 | |
| 103 | Seal ring, stationary | | | | 1 | |
| 105 | Seal ring, rotating | | | | 1 | |
| 109 | O-ring | | | | 1 | |
| 113 | Driver | | | | 1 | |
| + 2099 | Motor | | | | 1 | pcs |

Disclaimer: The information about the Grundfos pump in this document may be outdated.

Data may be subject to alterations without further notice.

Please contact us to verify the data above is still accurate/up-to-date.

All information is copyright Grundfos.



info@lenntech.com

<https://www.lenntech.com>

tel. +31 152 610 900

fax. +31 152 616 289