

## TP 100-30/4-AI-F-A-BUBE 1X230 50HZ

Grundfos pump 96402528




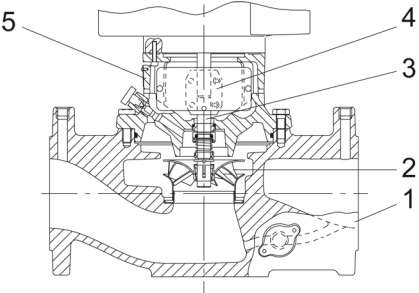
Thank you for your interest in our products. Please contact us for more information, or visit our website

<https://www.lenntech.com/grundfos/TP000/96402528/TP-100-30-4-AI-F-A-BUBE.html>

[info@lenntech.com](mailto:info@lenntech.com)

tel. +31 152 610 900

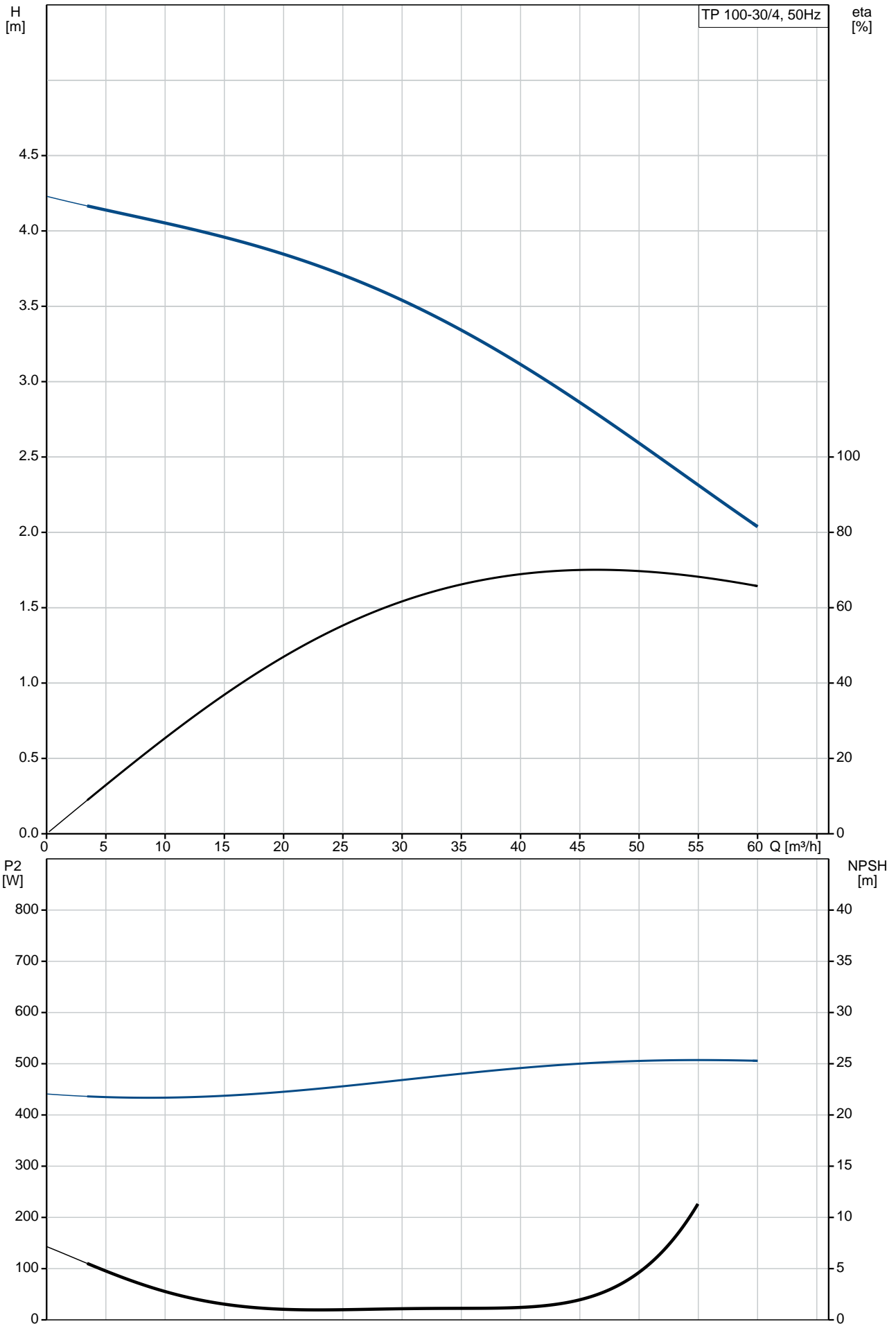
fax. +31 152 616 289

Position	Qty.	Description
	1	<p data-bbox="320 163 619 197"><b>TP 100-30/4 AI-F-A-BUBE</b></p>  <p data-bbox="320 481 600 515">Product No.: On request</p> <p data-bbox="320 544 1445 622">Single-stage, close-coupled, volute pump with in-line suction and discharge ports of identical diameter. The pump is of the top-pull-out design, i.e. the power head (motor, pump head and impeller) can be removed for maintenance or service while the pump housing remains in the pipework.</p> <p data-bbox="320 629 1422 683">The pump is fitted with an unbalanced rubber bellows seal. The shaft seal is according to EN 12756. Pipework connection is via PN 6 DIN flanges (EN 1092-2 and ISO 7005-2).</p> <p data-bbox="320 689 951 723">The pump is fitted with a fan-cooled asynchronous motor.</p> <p data-bbox="320 745 639 779"><b>Further product details</b></p> <p data-bbox="320 781 403 815"><b>Pump</b></p> <p data-bbox="320 817 1257 851">Pump housing and pump head are electrocoated to improve the corrosion resistance.</p> <p data-bbox="320 853 584 887">Electrocoating includes:</p> <ol data-bbox="320 889 810 994" style="list-style-type: none"> <li>1) Alkaline-based cleaning.</li> <li>2) Pretreatment with zinc phosphate coating.</li> <li>3) Cathodic electrocoating (epoxy).</li> <li>4) Curing of paint film at 200-250 °C.</li> </ol>  <ol data-bbox="320 1328 507 1473" style="list-style-type: none"> <li>1: Pump housing</li> <li>2: Impeller</li> <li>3: Shaft</li> <li>4: Coupling</li> <li>5: Pump head</li> </ol> <p data-bbox="320 1503 1461 1581">The pump housing is provided with a replaceable stainless steel/PTFE neck ring to reduce the amount of liquid running from the discharge side of the impeller to the suction side. The impeller is secured with a split cone with nut.</p> <p data-bbox="320 1619 1445 1697">The pump is fitted with an unbalanced rubber bellows seal with torque transmission across the spring and around the bellows. Due to the bellows, the seal does not wear the shaft, and the axial movement is not prevented by deposits on the shaft.</p> <p data-bbox="320 1704 467 1738">Primary seal:</p> <ul data-bbox="355 1740 1058 1794" style="list-style-type: none"> <li>• Rotating seal ring material: tungsten carbide (WC)</li> <li>• Stationary seat material: carbon graphite, resin-impregnated</li> </ul> <p data-bbox="320 1796 1433 1897">This is a widely used material pairing. If the pumped liquid contains particles, wear on the seal faces must be expected. Due to the favourable lubricating properties of carbon graphite, the seal is suitable for use even under poor lubricating conditions, such as hot water. However, under such conditions, wear on the carbon graphite face reduces seal life.</p> <p data-bbox="320 1906 986 1939">Secondary seal material: EPDM (ethylene-propylene rubber)</p> <p data-bbox="320 1942 1219 1975">EPDM has excellent resistance to hot water. EPDM is not suitable for mineral oils.</p> <p data-bbox="320 2000 1445 2054">A circulation of liquid through the duct of the air vent screw ensures lubrication and cooling of the shaft seal.</p> <p data-bbox="320 2056 983 2089">The flanges have tapings for mounting of pressure gauges.</p>

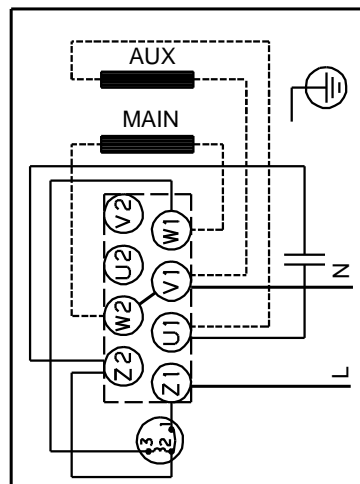
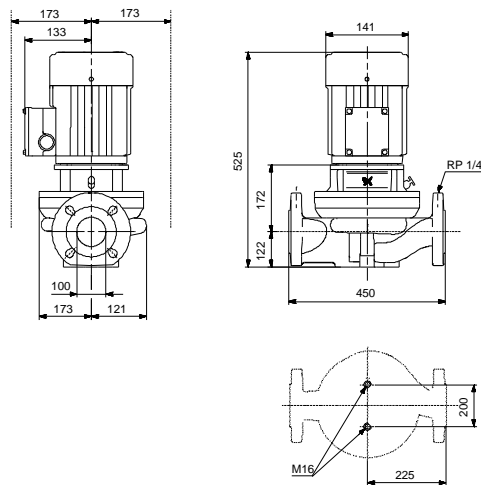
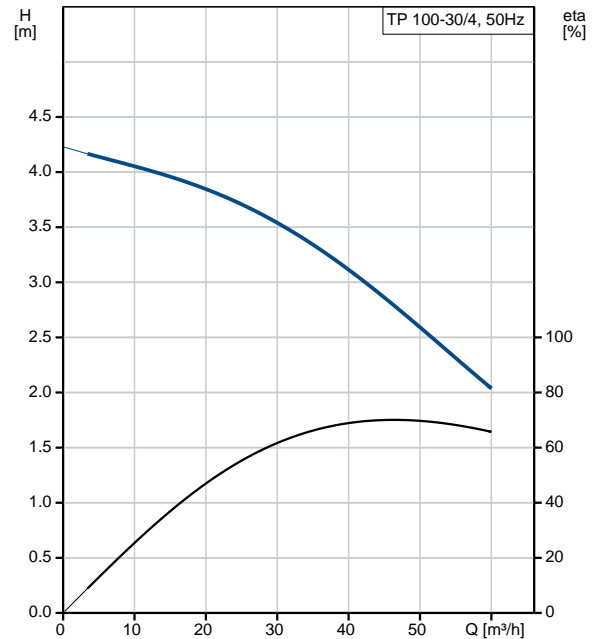
Position	Qty.	Description
		<p>The motor stool forms connection between the pump housing and the motor, and is equipped with a manual air vent screw for venting of the pump housing and the shaft seal chamber. The sealing between motor stool and pump housing is an O-ring.</p> <p>The central part of the motor stool is provided with guards for protection against the shaft and coupling. Motor and pump shaft are connected via a shell coupling.</p> <p><b>Motor</b></p> <p>The motor is a totally enclosed, fan-cooled motor with principal dimensions to IEC and DIN standards. Electrical tolerances comply with IEC 60034.</p> <p>The motor is flange-mounted with tapped-hole flange (FT).  Motor-mounting designation in accordance with IEC 60034-7: IM B 14, IM V 18 (Code I) / IM 3601, IM 3611 (Code II).</p> <p>The motor has built-in thermal protection (PTO current and temperature sensors) in accordance with IEC 60034-11 and requires no further motor protection. The protection reacts to both slow- and quick-rising temperatures, e.g. constant overload and stalled conditions.</p> <p>As the thermal protection incorporates automatic reset, the motor must be connected in a way which ensures that the automatic reset cannot cause accidents.</p> <p><b>Technical data</b></p> <p><b>Liquid:</b></p> <p>Pumped liquid: Water  Liquid temperature range: 0 .. 140 °C  Liquid temperature during operation: 20 °C  Density: 998.2 kg/m<sup>3</sup></p> <p><b>Technical:</b></p> <p>Rated flow: 46.1 m<sup>3</sup>/h  Rated head: 2.8 m  Actual impeller diameter: 119 mm  Primary shaft seal: BUBE  Curve tolerance: ISO9906:2012 3B</p> <p><b>Materials:</b></p> <p>Pump housing: Cast iron  EN-JL1040  ASTM A48-40 B</p> <p>Impeller: Stainless steel  DIN W.-Nr. 1.4301  AISI 304</p> <p><b>Installation:</b></p> <p>Range of ambient temperature: -30 .. 40 °C  Maximum operating pressure: 6 bar  Flange standard: DIN  Pipe connection: DN 100  Pump inlet: DN 100  Pump outlet: DN 100  Pressure rating: PN 6  (@): 450 mm  Flange size for motor: FT100</p> <p><b>Electrical data:</b></p> <p>Motor type: 80B  Rated power - P2: 0.55 kW  Power (P2) required by pump: 0.55 kW  Mains frequency: 50 Hz  Rated voltage: 1 x 220-230 V  Rated current: 4 A  Starting current: 260 %  Cos phi - power factor: 0.97  Rated speed: 1350-1370 rpm  Motor efficiency at full load: 66-64 %</p>

Position	Qty.	Description
		Number of poles: 4 Enclosure class (IEC 34-5): 55 Dust/Jetting Insulation class (IEC 85): F  <b>Others:</b> Minimum efficiency index, MEI : 0.45 ErP status: EuP Standalone/Prod. Net weight: 50 kg Gross weight: 55.9 kg Shipping volume: 0.16 m <sup>3</sup>

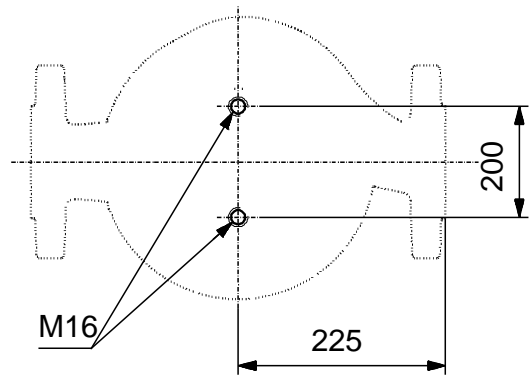
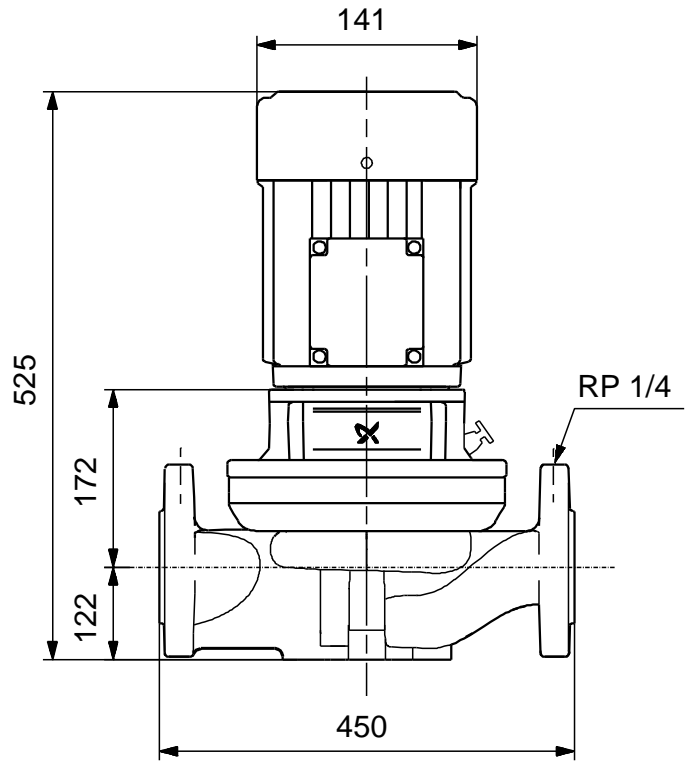
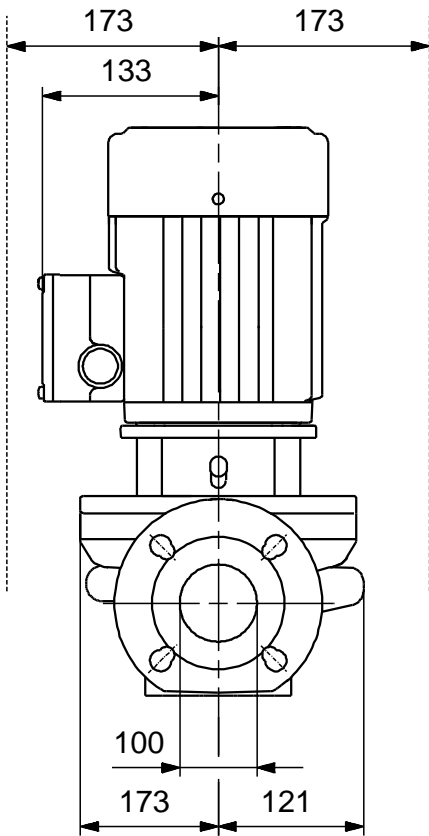
# On request TP 100-30/4 AI-F-A-BUBE 50 Hz



Description	Value
<b>General information:</b>	
Product name:	TP 100-30/4 AI-F-A-BUBE
Product No:	On request
EAN number:	On request
<b>Technical:</b>	
Rated flow:	46.1 m <sup>3</sup> /h
Rated head:	2.8 m
Head max:	30 dm
Actual impeller diameter:	119 mm
Primary shaft seal:	BUBE
Curve tolerance:	ISO9906:2012 3B
Pump version:	AI
Model:	A
<b>Materials:</b>	
Pump housing:	Cast iron EN-JL1040 ASTM A48-40 B
Impeller:	Stainless steel DIN W.-Nr. 1.4301 AISI 304
Material code:	A
<b>Installation:</b>	
Range of ambient temperature:	-30 .. 40 °C
Maximum operating pressure:	6 bar
Flange standard:	DIN
Pipe connection:	DN 100
Pump inlet:	DN 100
Pump outlet:	DN 100
Pressure rating:	PN 6
(@)	450 mm
Flange size for motor:	FT100
Connect code:	F
<b>Liquid:</b>	
Pumped liquid:	Water
Liquid temperature range:	0 .. 140 °C
Liquid temperature during operation:	20 °C
Density:	998.2 kg/m <sup>3</sup>
<b>Electrical data:</b>	
Motor type:	80B
Rated power - P2:	0.55 kW
Power (P2) required by pump:	0.55 kW
Mains frequency:	50 Hz
Rated voltage:	1 x 220-230 V
Rated current:	4 A
Starting current:	260 %
Cos phi - power factor:	0.97
Rated speed:	1350-1370 rpm
Motor efficiency at full load:	66-64 %
Number of poles:	4
Enclosure class (IEC 34-5):	55 Dust/Jetting
Insulation class (IEC 85):	F
Motor protec:	PTO
Motor No:	86215103
<b>Others:</b>	
Minimum efficiency index, MEI :	0.45
ErP status:	EuP Standalone/Prod.
Net weight:	50 kg
Gross weight:	55.9 kg
Shipping volume:	0.16 m <sup>3</sup>

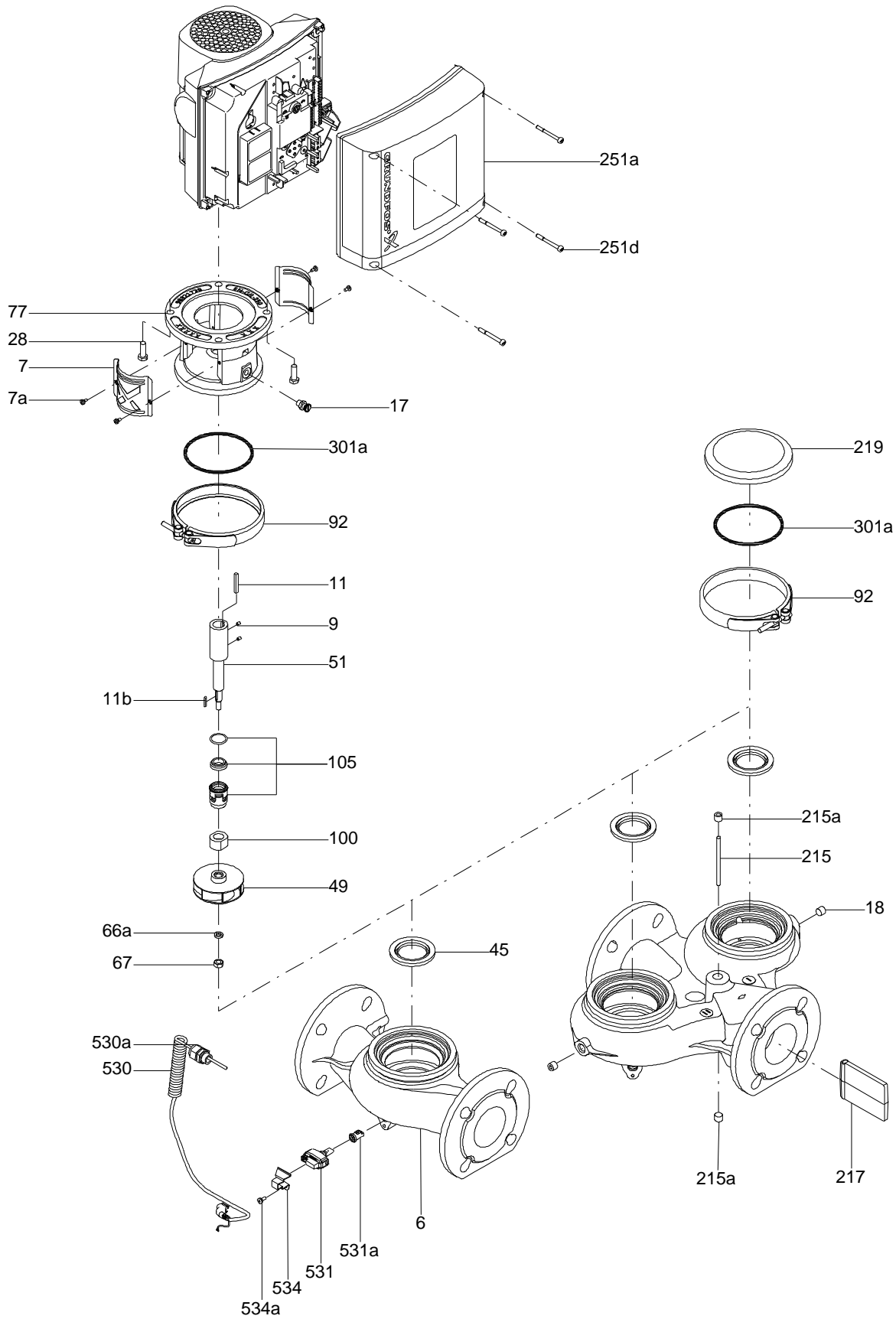


# On request TP 100-30/4 AI-F-A-BUBE 50 Hz



Note! All units are in [mm] unless others are stated.  
Disclaimer: This simplified dimensional drawing does not show all details.

**Exploded view**



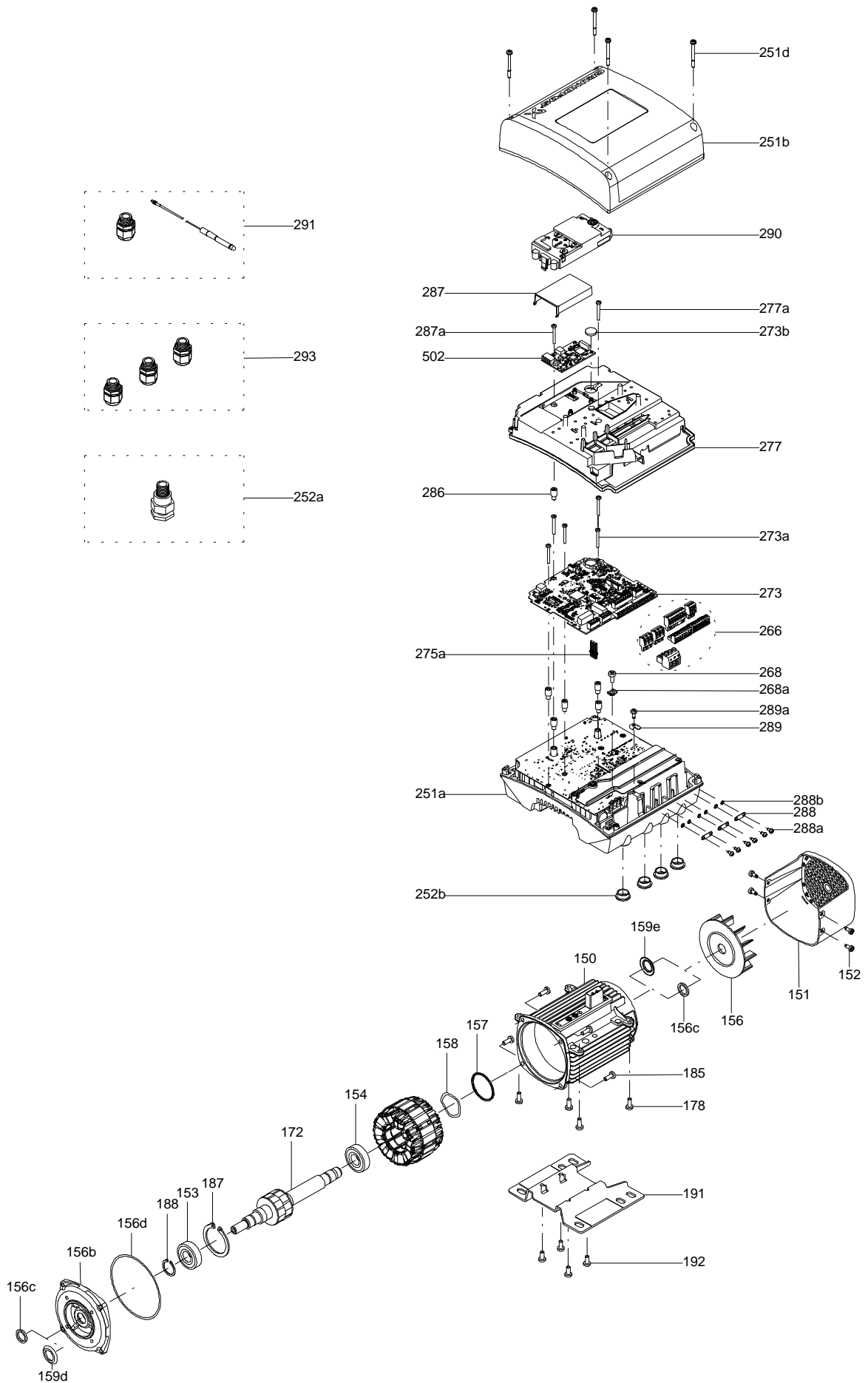


Sectional drawing (TM058200 for TPE2,TPE3)



TM058200

Exploded view ( TM057026 for MGE model H/I )



*Disclaimer: The information about the Grundfos pump in this document may be outdated.*

*Data may be subject to alterations without further notice.*

*Please contact us to verify the data above is still accurate/up-to-date.*

All information is copyright Grundfos.



[info@lenntech.com](mailto:info@lenntech.com)

<https://www.lenntech.com>

tel. +31 152 610 900

fax. +31 152 616 289