

UPS40-180 F B 3x400-415V PN6/10 Grundfos pump 96401985




Thank you for your interest in our products. Please contact us for more information, or visit our website

<https://www.lenntech.com/grundfos/UPSB2/96401985/UPS-40-180-F-B.html>

info@lenntech.com

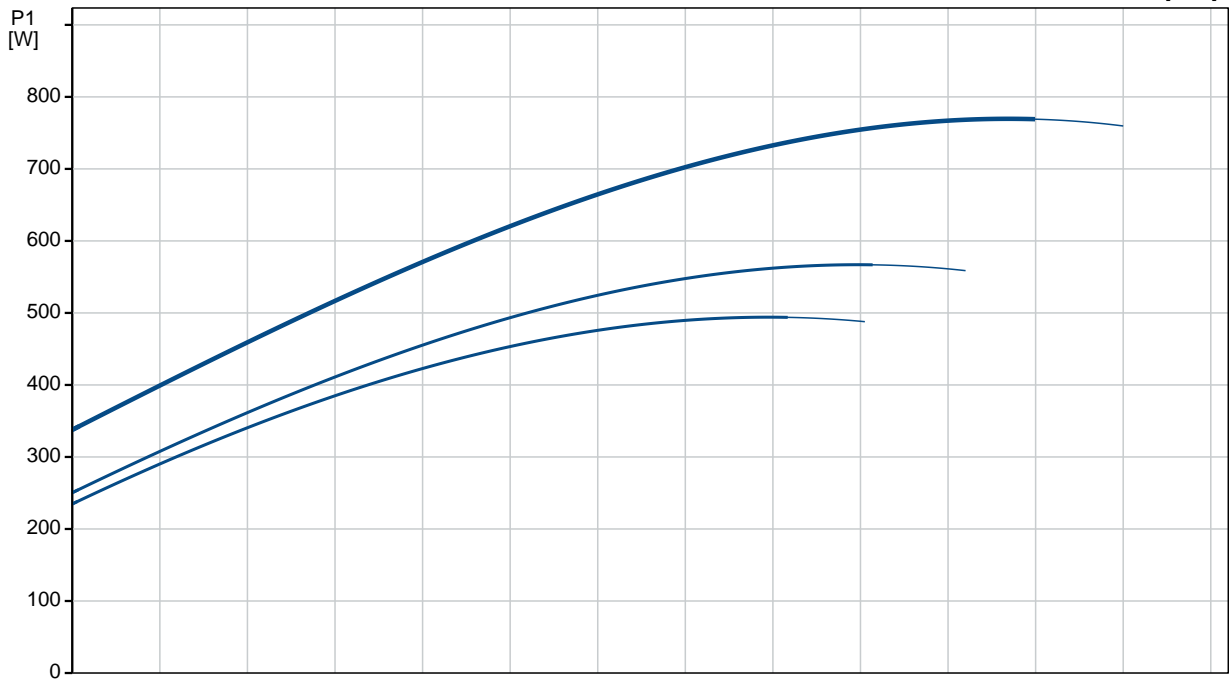
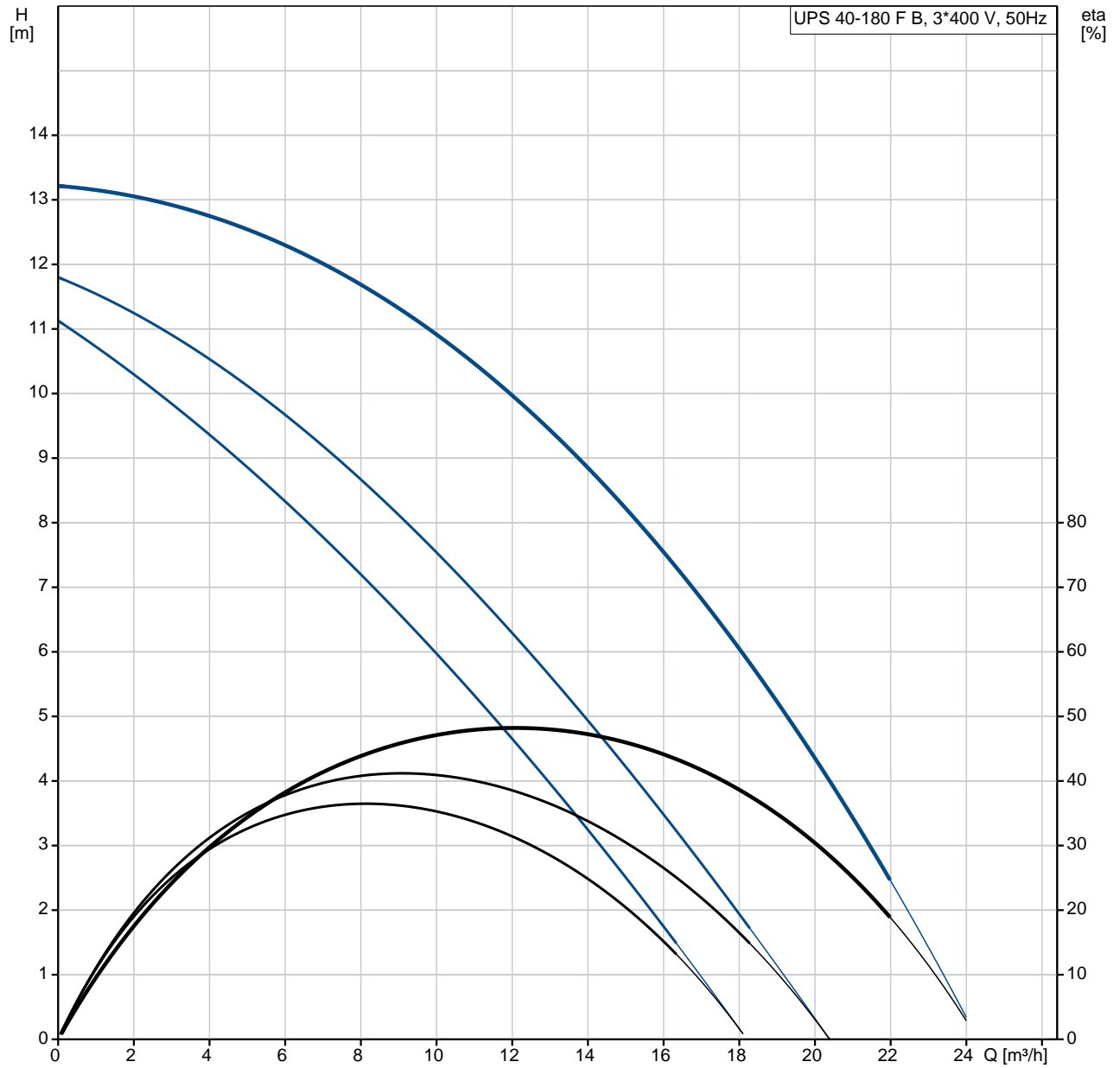
tel. +31 152 610 900

fax. +31 152 616 289

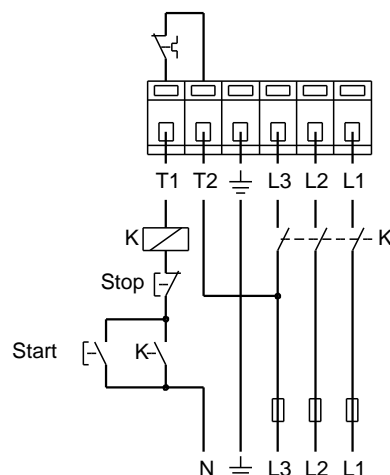
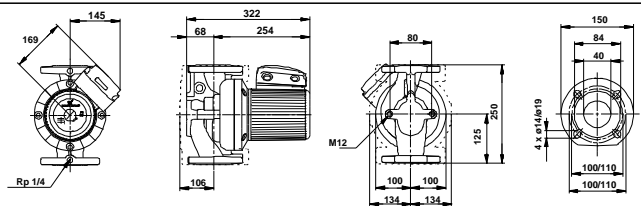
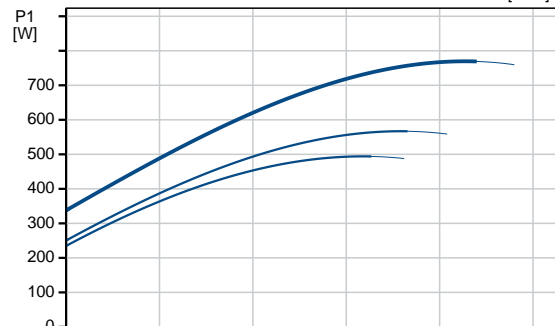
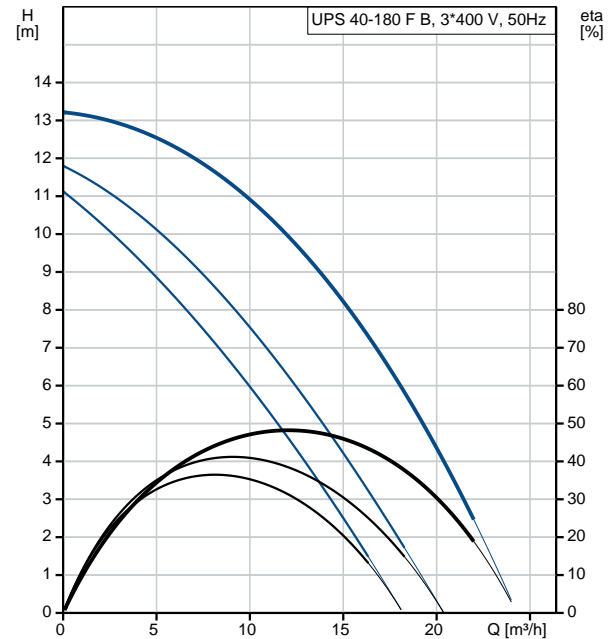
Position	Qty.	Description
	1	<p data-bbox="322 161 507 192">UPS 40-180 F B</p>  <p data-bbox="711 595 1197 622">Note! Product picture may differ from actual product</p> <p data-bbox="322 627 852 775">Product No.: On request The pump is of the canned rotor type, i.e. pump and motor form an integral unit without shaft seal and with only two gaskets for sealing. The bearings are lubricated by the pumped liquid.</p> <p data-bbox="322 801 852 891">In order to avoid problems in connection with disposal, great importance has been attached to using as few different materials as possible.</p> <p data-bbox="322 922 820 1187">The pump is characterized by:</p> <ul style="list-style-type: none"> * 3 speed motor. * Ceramic radial bearings. * Carbon axial bearing. * Stainless steel rotor can, bearing plate and rotor cladding. * Aluminium alloy stator housing. * Bronze pump housing. * Stator with built-in thermal switch. <p data-bbox="322 1218 654 1245">The motor is a 3-phase motor.</p> <p data-bbox="322 1276 833 1397">The pump is supplied with a standard module in the terminal box. The standard module is to be connected to the mains supply via external contactor.</p> <p data-bbox="322 1429 434 1456">Controls:</p> <p data-bbox="322 1460 826 1487">Relay: without relay</p> <p data-bbox="322 1518 405 1545">Liquid:</p> <p data-bbox="322 1550 826 1666">Pumped liquid: Water Liquid temperature range: -10 .. 120 °C Liquid temperature during operation: 60 °C Density: 983.2 kg/m³</p> <p data-bbox="322 1697 446 1724">Technical:</p> <p data-bbox="322 1729 912 1756">Approvals on nameplate: CE,EAC,AAA,WEEE</p> <p data-bbox="322 1787 437 1814">Materials:</p> <p data-bbox="322 1818 922 1989">Pump housing: Bronze DIN W.-Nr. 2.1176.01 ASTM B-271 Impeller: Stainless steel DIN W.-Nr. 1.4301 AISI 304</p> <p data-bbox="322 2020 462 2047">Installation:</p> <p data-bbox="322 2051 791 2114">Range of ambient temperature: 0 .. 40 °C Maximum operating pressure: 10 bar</p>

Position	Qty.	Description
		Flange standard: DIN Pipe connection: DN 40 Pressure rating: PN 6 / PN 10 (@): 250 mm Electrical data: Power input in speed 1: 490 W Power input in speed 2: 570 W Max. power input: 770 W Mains frequency: 50 Hz Rated voltage: 3 x 400-415 V Current in speed 1: 0.82 A Current in speed 2: 0.94 A Current in speed 3: 1.3 A Cos phi in speed 1: 0.86 Cos phi in speed 2: 0.86 Cos phi: 0.85 Insulation class (IEC 85): H Enclosure class (IEC 60529): X4D Others: Net weight: 24.6 kg Gross weight: 26 kg Shipping volume: 0.034 m ³

On request UPS 40-180 F B 50 Hz

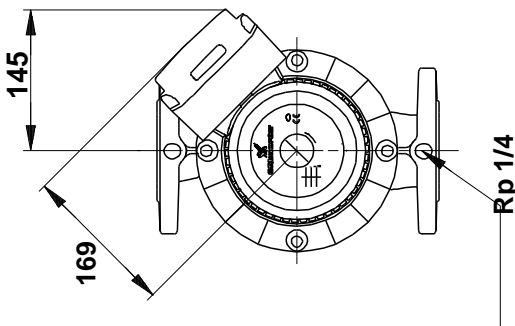
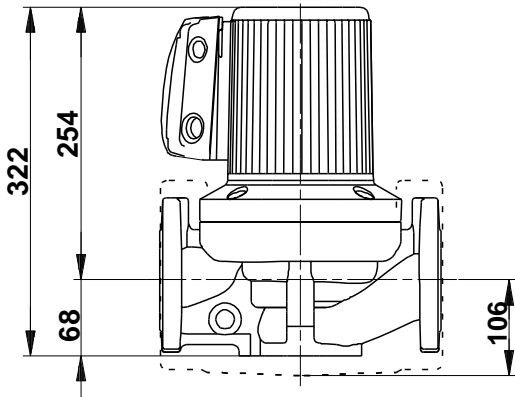
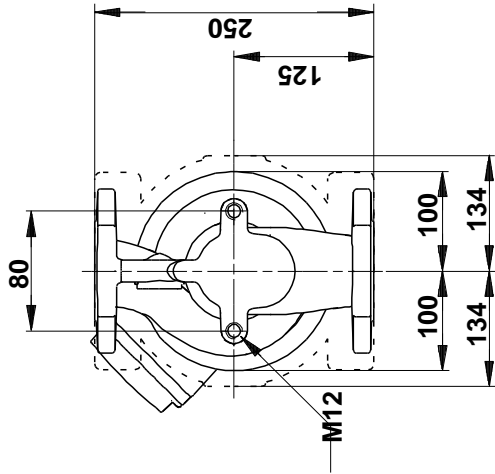
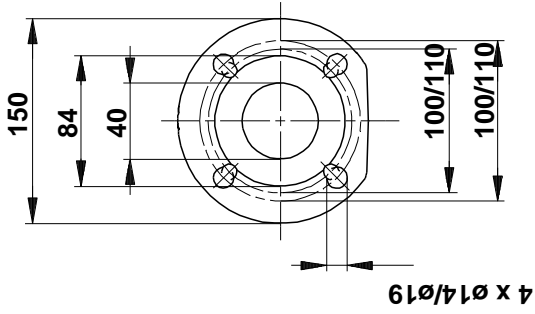


Description	Value
General information:	
Product name:	UPS 40-180 F B
Product No:	On request
EAN number:	On request
Technical:	
Speed no:	3
Head max:	180 dm
Approvals on nameplate:	CE,EAC,AAA,WEEE
Materials:	
Pump housing:	Bronze
	DIN W.-Nr. 2.1176.01
	ASTM B-271
Impeller:	Stainless steel
	DIN W.-Nr. 1.4301
	AISI 304
Installation:	
Range of ambient temperature:	0 .. 40 °C
Maximum operating pressure:	10 bar
Flange standard:	DIN
Pipe connection:	DN 40
Pressure rating:	PN 6 / PN 10
(@)	250 mm
Liquid:	
Pumped liquid:	Water
Liquid temperature range:	-10 .. 120 °C
Liquid temperature during operation:	60 °C
Density:	983.2 kg/m ³
Electrical data:	
Power input in speed 1:	490 W
Power input in speed 2:	570 W
Max. power input:	770 W
Mains frequency:	50 Hz
Rated voltage:	3 x 400-415 V
Current in speed 1:	0.82 A
Current in speed 2:	0.94 A
Current in speed 3:	1.3 A
Cos phi in speed 1:	0.86
Cos phi in speed 2:	0.86
Cos phi:	0.85
Insulation class (IEC 85):	H
Enclosure class (IEC 60529):	X4D
Motor protec:	CONTACT
Thermal protec:	external
Controls:	
Relay:	without relay
Pos term box:	1.30H
Others:	
Net weight:	24.6 kg
Gross weight:	26 kg
Shipping volume:	0.034 m ³



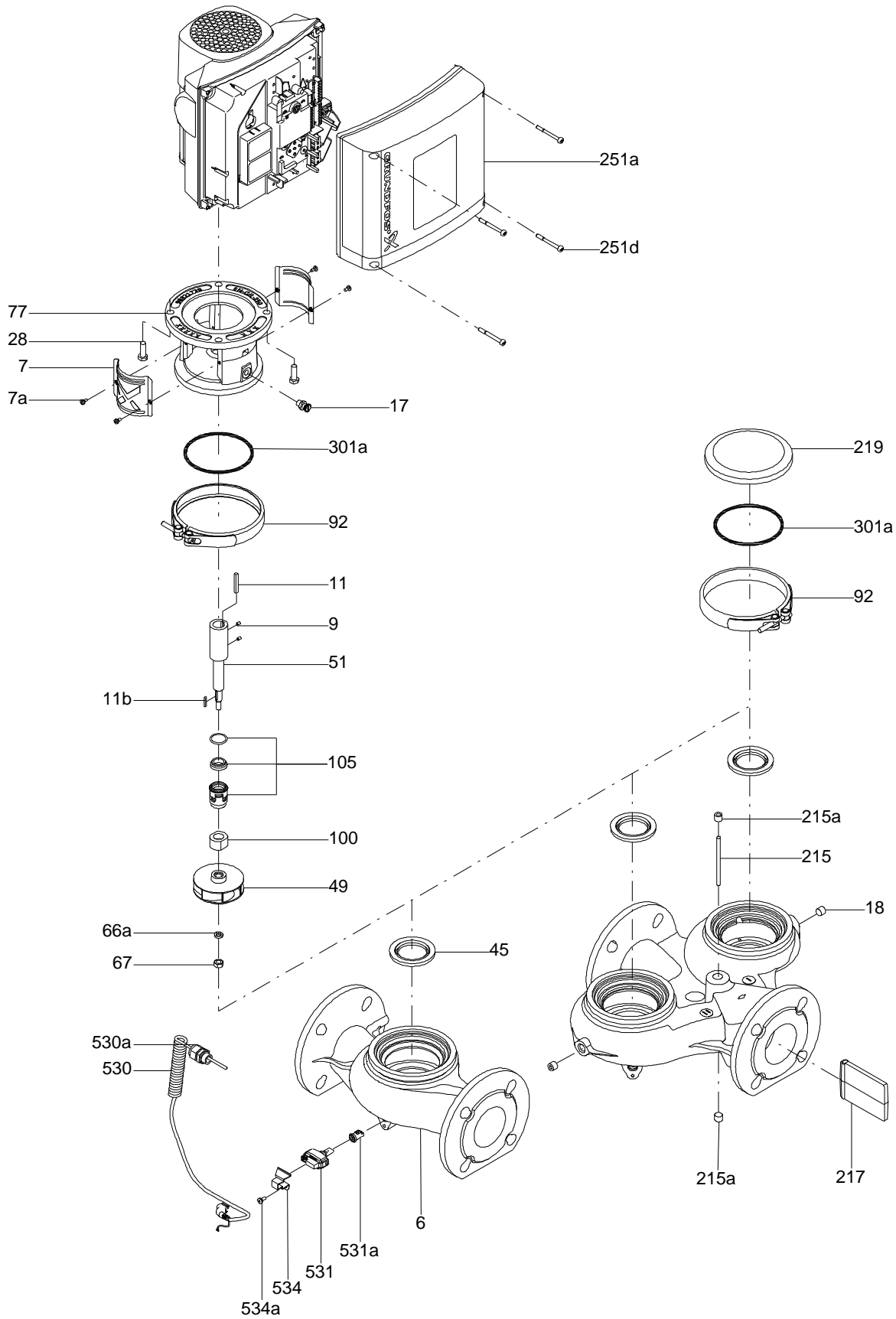
On request UPS 40-180 F B 50 Hz

On request UPS 40-180 F B 50 Hz

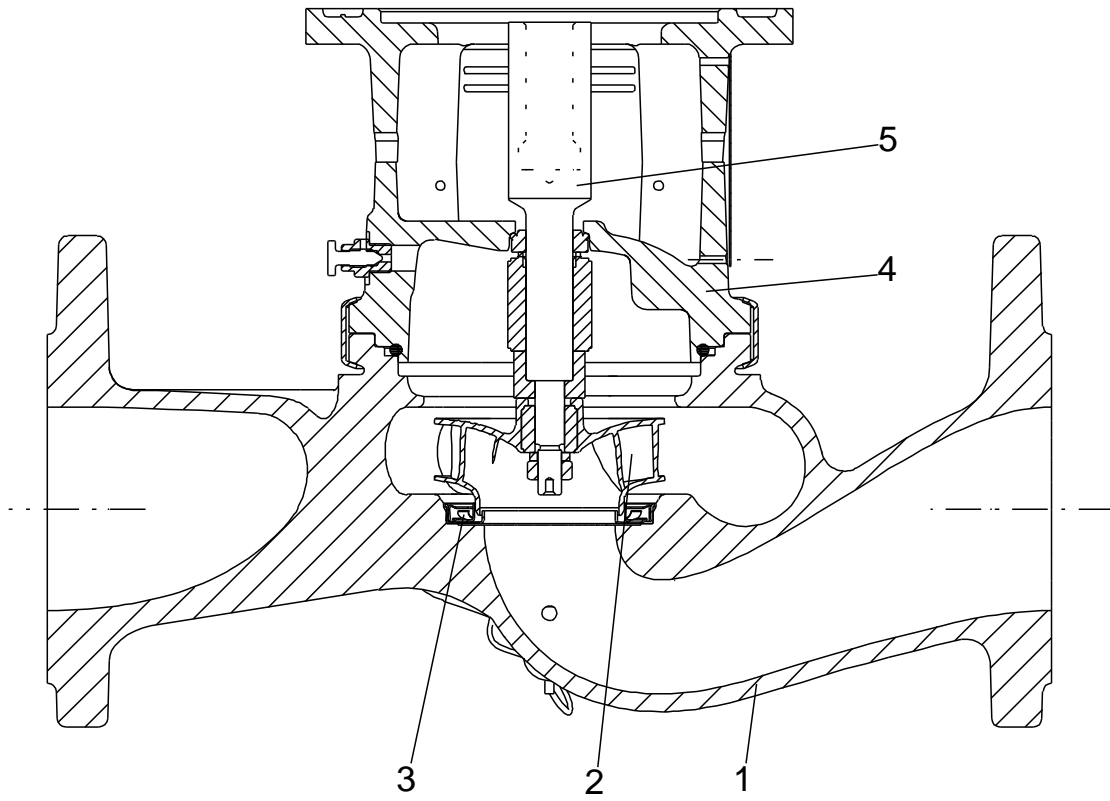


Note! All units are in [mm] unless others are stated.
Disclaimer: This simplified dimensional drawing does not show all details.

Exploded view

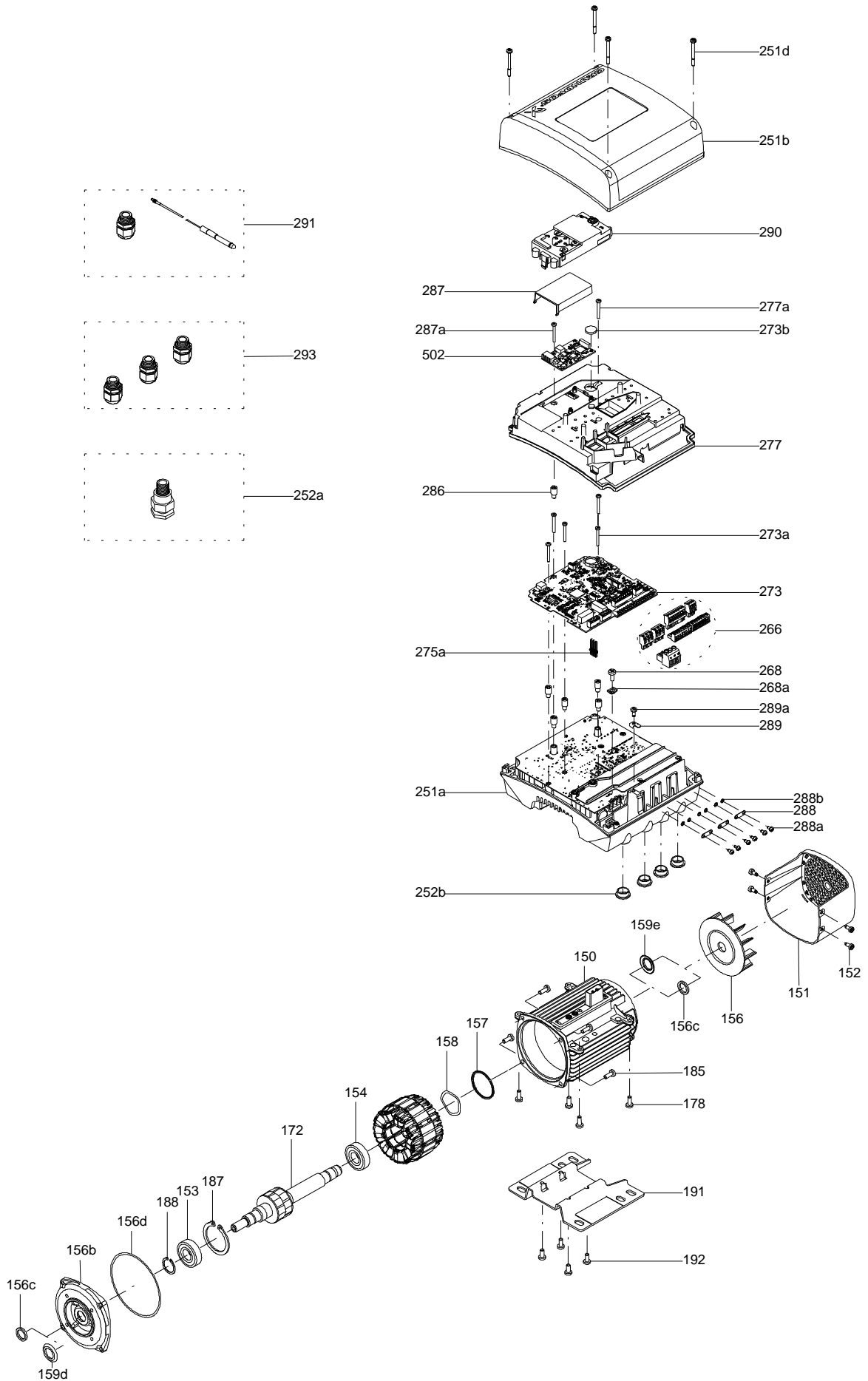


Sectional drawing (TM058200 for TPE2,TPE3)



TM058200

Exploded view (TM057026 for MGE model H/I)



Parts list UPS 40-180 F B, Product No. On request
Valid from 1.4.1995 (9513)

Pos	Description	Annotation	Données de classification	Référence	Quantité	Unité
163a	Terminal box cpl.		Designation: WITH RELAY MODULE		1	pcs
163b	Terminal box cpl.		Designation: WITH STANDARD MODULE		1	pcs
163e	Terminal box cpl.		Designation: W. PROTECTION MODULE		1	pcs

Disclaimer: The information about the Grundfos pump in this document may be outdated.

Data may be subject to alterations without further notice.

Please contact us to verify the data above is still accurate/up-to-date.

All information is copyright Grundfos.



info@lenntech.com

<https://www.lenntech.com>

tel. +31 152 610 900

fax. +31 152 616 289