

## UPS32-60 F B 3x400-415V PN6/10 Grundfos pump 96401808




Thank you for your interest in our products. Please contact us for more information, or visit our website

<https://www.lenntech.com/grundfos/UPSB2/96401808/UPS-32-60-F-B.html>

[info@lenntech.com](mailto:info@lenntech.com)

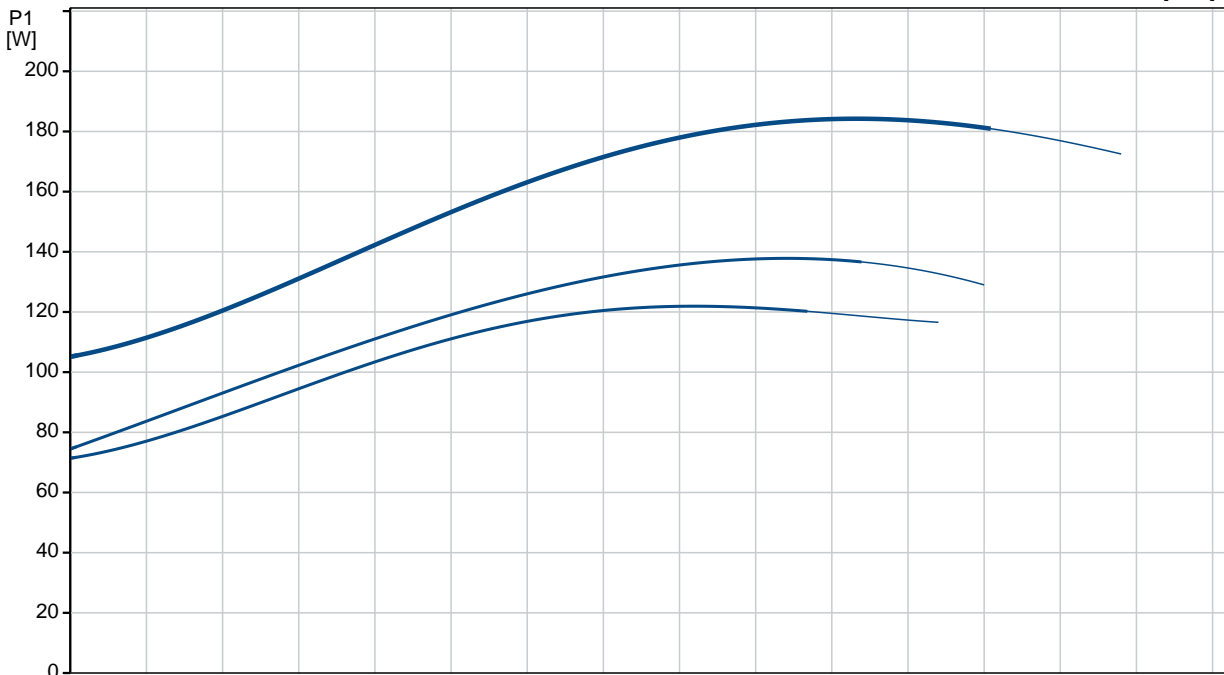
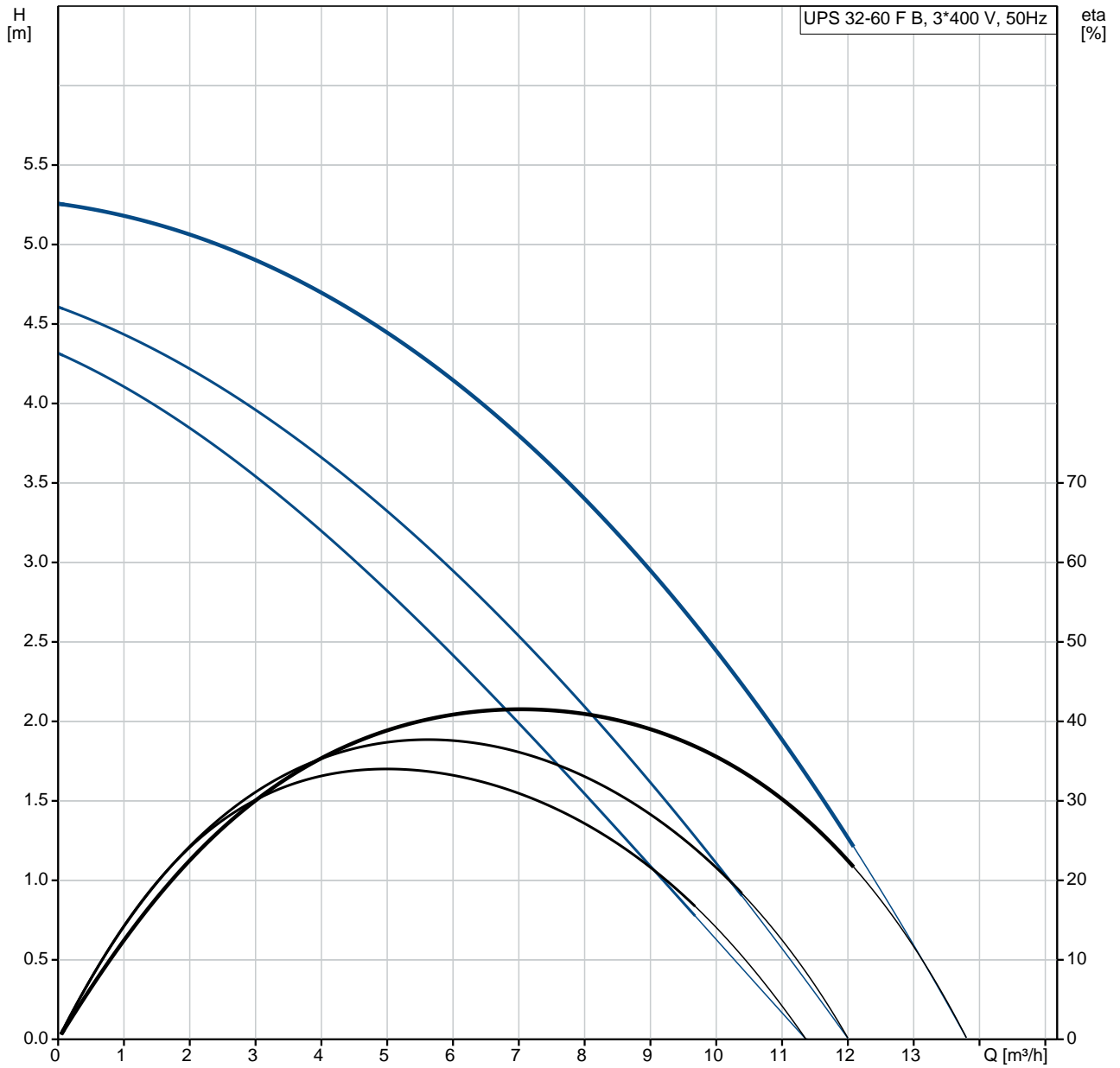
tel. +31 152 610 900

fax. +31 152 616 289

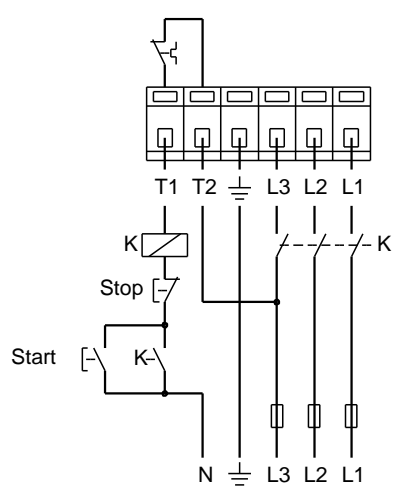
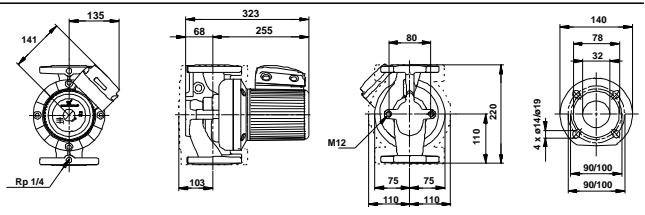
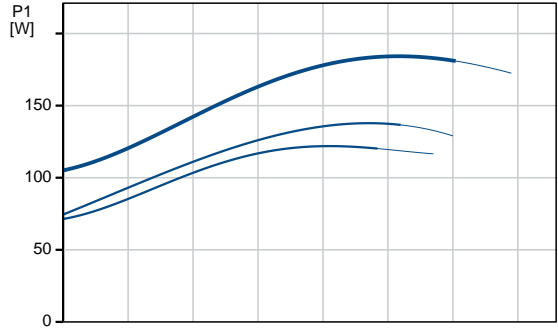
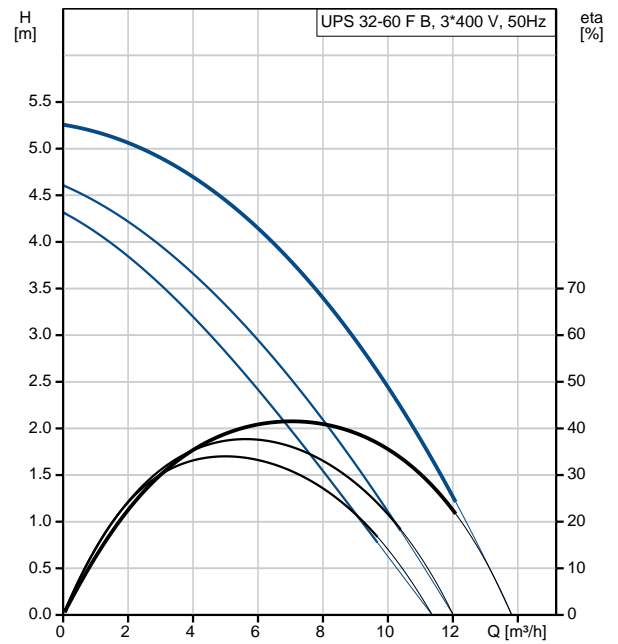
Position	Qty.	Description
	1	<p data-bbox="320 163 491 197"><b>UPS 32-60 F B</b></p>  <p data-bbox="710 593 1197 622" style="text-align: center;"><b>Note! Product picture may differ from actual product</b></p> <p data-bbox="320 627 853 772">Product No.: On request The pump is of the canned rotor type, i.e. pump and motor form an integral unit without shaft seal and with only two gaskets for sealing. The bearings are lubricated by the pumped liquid.</p> <p data-bbox="320 801 853 891">In order to avoid problems in connection with disposal, great importance has been attached to using as few different materials as possible.</p> <p data-bbox="320 920 821 1187">The pump is characterized by:</p> <ul style="list-style-type: none"> <li>* 3 speed motor.</li> <li>* Ceramic radial bearings.</li> <li>* Carbon axial bearing.</li> <li>* Stainless steel rotor can, bearing plate and rotor cladding.</li> <li>* Aluminium alloy stator housing.</li> <li>* Bronze pump housing.</li> <li>* Stator with built-in thermal switch.</li> </ul> <p data-bbox="320 1216 654 1249">The motor is a 3-phase motor.</p> <p data-bbox="320 1279 837 1400">The pump is supplied with a standard module in the terminal box. The standard module is to be connected to the mains supply via external contactor.</p> <p data-bbox="320 1429 438 1462"><b>Controls:</b></p> <p data-bbox="320 1462 821 1496">Relay: without relay</p> <p data-bbox="320 1525 406 1559"><b>Liquid:</b></p> <p data-bbox="320 1559 821 1668">Pumped liquid: Water Liquid temperature range: -10 .. 120 °C Liquid temperature during operation: 60 °C Density: 983.2 kg/m<sup>3</sup></p> <p data-bbox="320 1697 446 1731"><b>Technical:</b></p> <p data-bbox="320 1731 917 1765">Approvals on nameplate: CE,EAC,AAA,WEEE</p> <p data-bbox="320 1794 438 1827"><b>Materials:</b></p> <p data-bbox="320 1827 917 1993">Pump housing: Bronze DIN W.-Nr. 2.1176.01 ASTM B-271 Impeller: Stainless steel DIN W.-Nr. 1.4301 AISI 304</p> <p data-bbox="320 2022 462 2056"><b>Installation:</b></p> <p data-bbox="320 2056 790 2112">Range of ambient temperature: 0 .. 40 °C Maximum operating pressure: 10 bar</p>

Position	Qty.	Description
		Flange standard: DIN Pipe connection: DN 32 Pressure rating: PN 6 / PN 10 (@): 220 mm  <b>Electrical data:</b> Power input in speed 1: 120 W Power input in speed 2: 140 W Max. power input: 185 W Mains frequency: 50 Hz Rated voltage: 3 x 400-415 V Current in speed 1: 0.21 A Current in speed 2: 0.23 A Current in speed 3: 0.39 A Cos phi in speed 1: 0.82 Cos phi in speed 2: 0.88 Cos phi: 0.68 Insulation class (IEC 85): F Enclosure class (IEC 60529): X4D  <b>Others:</b> Net weight: 17.3 kg Gross weight: 19 kg Shipping volume: 0.029 m <sup>3</sup>

# On request UPS 32-60 F B 50 Hz

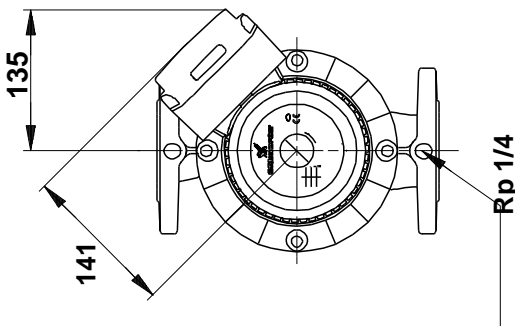
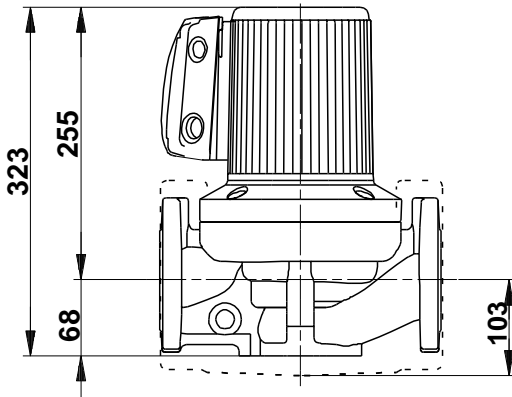
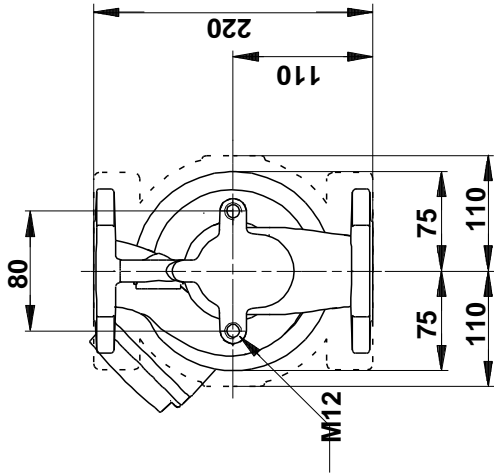
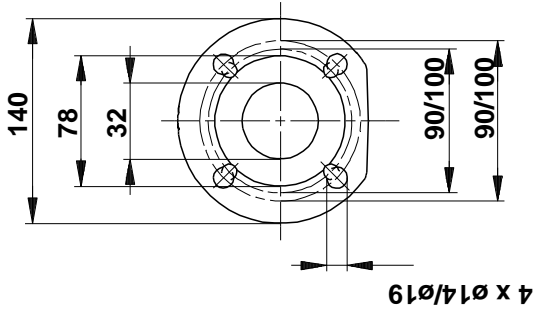


Description	Value
<b>General information:</b>	
Product name:	UPS 32-60 F B
Product No:	On request
EAN number:	On request
<b>Technical:</b>	
Speed no:	3
Head max:	60 dm
Approvals on nameplate:	CE,EAC,AAA,WEEE
<b>Materials:</b>	
Pump housing:	Bronze
	DIN W.-Nr. 2.1176.01
	ASTM B-271
Impeller:	Stainless steel
	DIN W.-Nr. 1.4301
	AISI 304
<b>Installation:</b>	
Range of ambient temperature:	0 .. 40 °C
Maximum operating pressure:	10 bar
Flange standard:	DIN
Pipe connection:	DN 32
Pressure rating:	PN 6 / PN 10
(@)	220 mm
<b>Liquid:</b>	
Pumped liquid:	Water
Liquid temperature range:	-10 .. 120 °C
Liquid temperature during operation:	60 °C
Density:	983.2 kg/m <sup>3</sup>
<b>Electrical data:</b>	
Power input in speed 1:	120 W
Power input in speed 2:	140 W
Max. power input:	185 W
Mains frequency:	50 Hz
Rated voltage:	3 x 400-415 V
Current in speed 1:	0.21 A
Current in speed 2:	0.23 A
Current in speed 3:	0.39 A
Cos phi in speed 1:	0.82
Cos phi in speed 2:	0.88
Cos phi:	0.68
Insulation class (IEC 85):	F
Enclosure class (IEC 60529):	X4D
Motor protec:	CONTACT
Thermal protec:	external
<b>Controls:</b>	
Relay:	without relay
Pos term box:	1.30H
<b>Others:</b>	
Net weight:	17.3 kg
Gross weight:	19 kg
Shipping volume:	0.029 m <sup>3</sup>



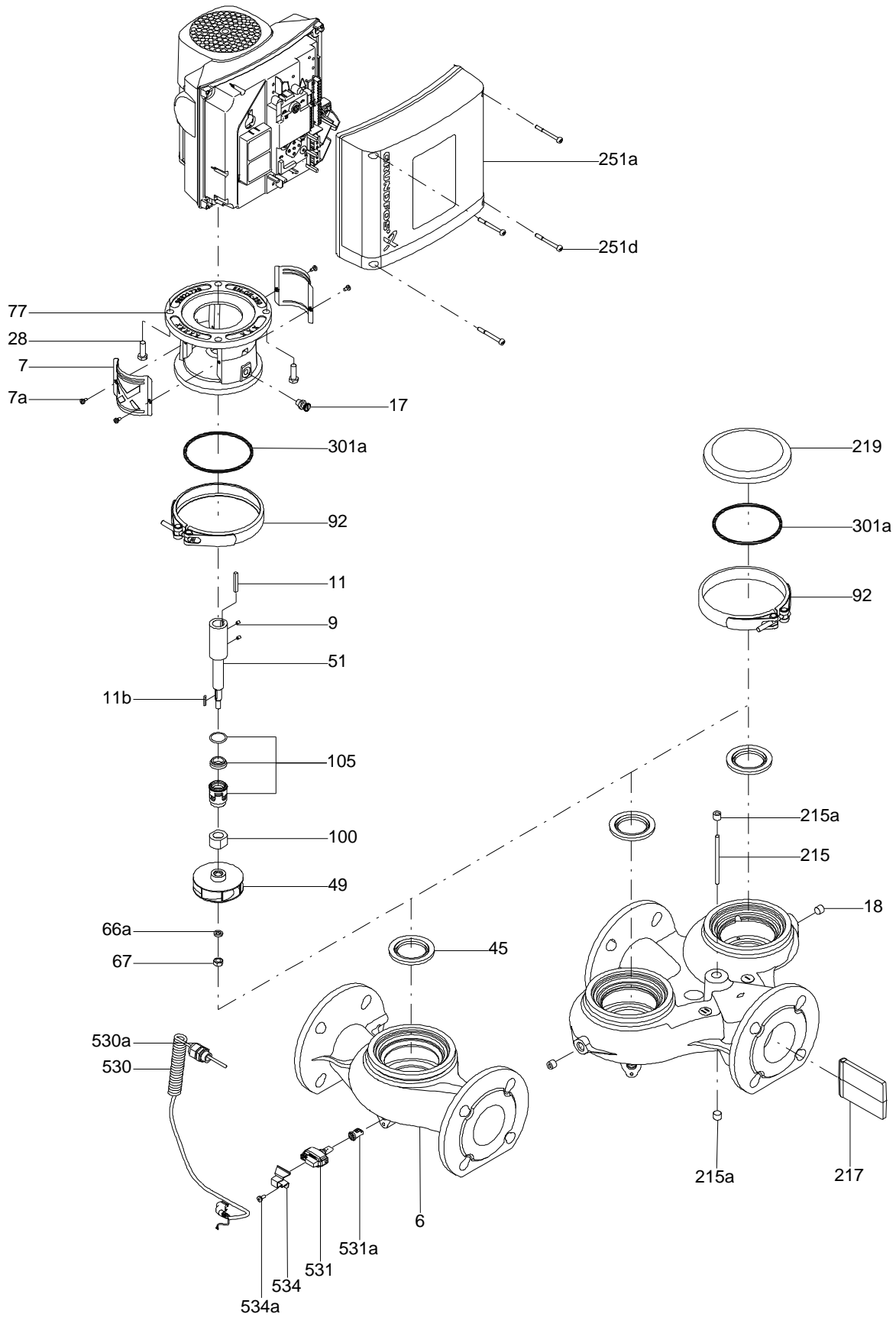
**On request UPS 32-60 F B 50 Hz**

# On request UPS 32-60 F B 50 Hz



Note! All units are in [mm] unless others are stated.  
Disclaimer: This simplified dimensional drawing does not show all details.

Exploded view



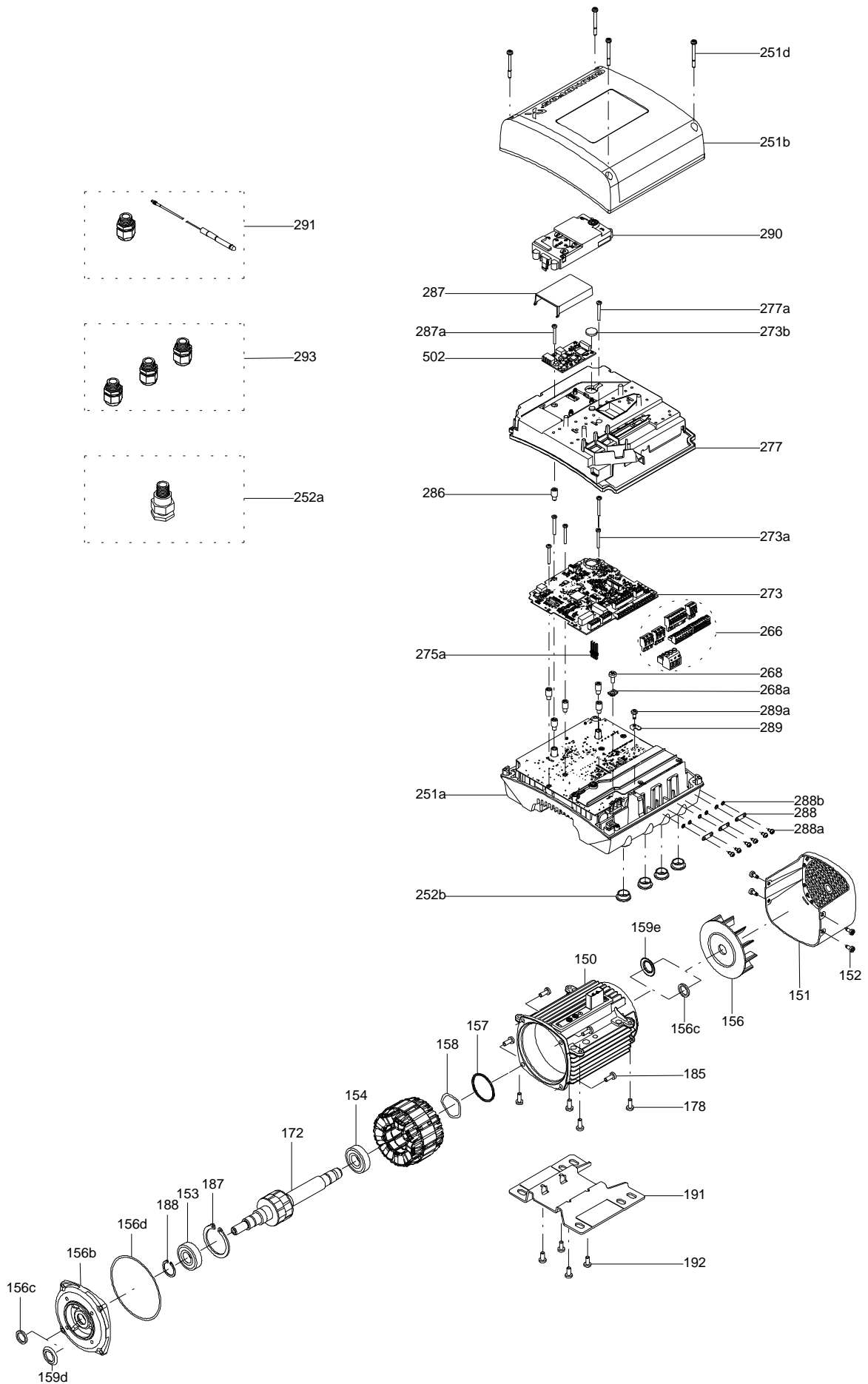


Sectional drawing (TM058200 for TPE2,TPE3)



TM058200

Exploded view ( TM057026 for MGE model H/I )



**Parts list UPS 32-60 F B, Product No. On request  
Valid from 1.4.1995 (9513)**

Pos	Description	Annotation	Données de classification	Référence	Quantité	Unité
163a	Terminal box cpl.		Designation: WITH RELAY MODULE		1	pcs
163b	Terminal box cpl.		Designation: WITH STANDARD MODULE		1	pcs
163e	Terminal box cpl.		Designation: W. PROTECTION MODULE		1	pcs

*Disclaimer: The information about the Grundfos pump in this document may be outdated.*

*Data may be subject to alterations without further notice.*

*Please contact us to verify the data above is still accurate/up-to-date.*

All information is copyright Grundfos.



[info@lenntech.com](mailto:info@lenntech.com)

<https://www.lenntech.com>

tel. +31 152 610 900

fax. +31 152 616 289