

TP 150-250/4-A-F-A-BAQE 400D 50HZ

Grundfos pump 96109863




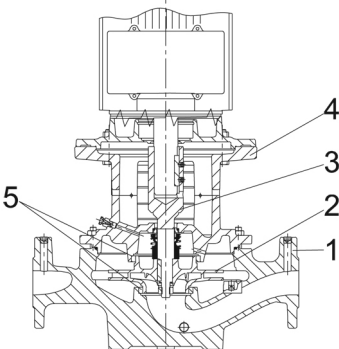
Thank you for your interest in our products. Please contact us for more information, or visit our website

<https://www.lenntech.com/grundfos/TP000/96109863/TP-150-250-4-A-F-A-BAQE.html>

info@lenntech.com

tel. +31 152 610 900

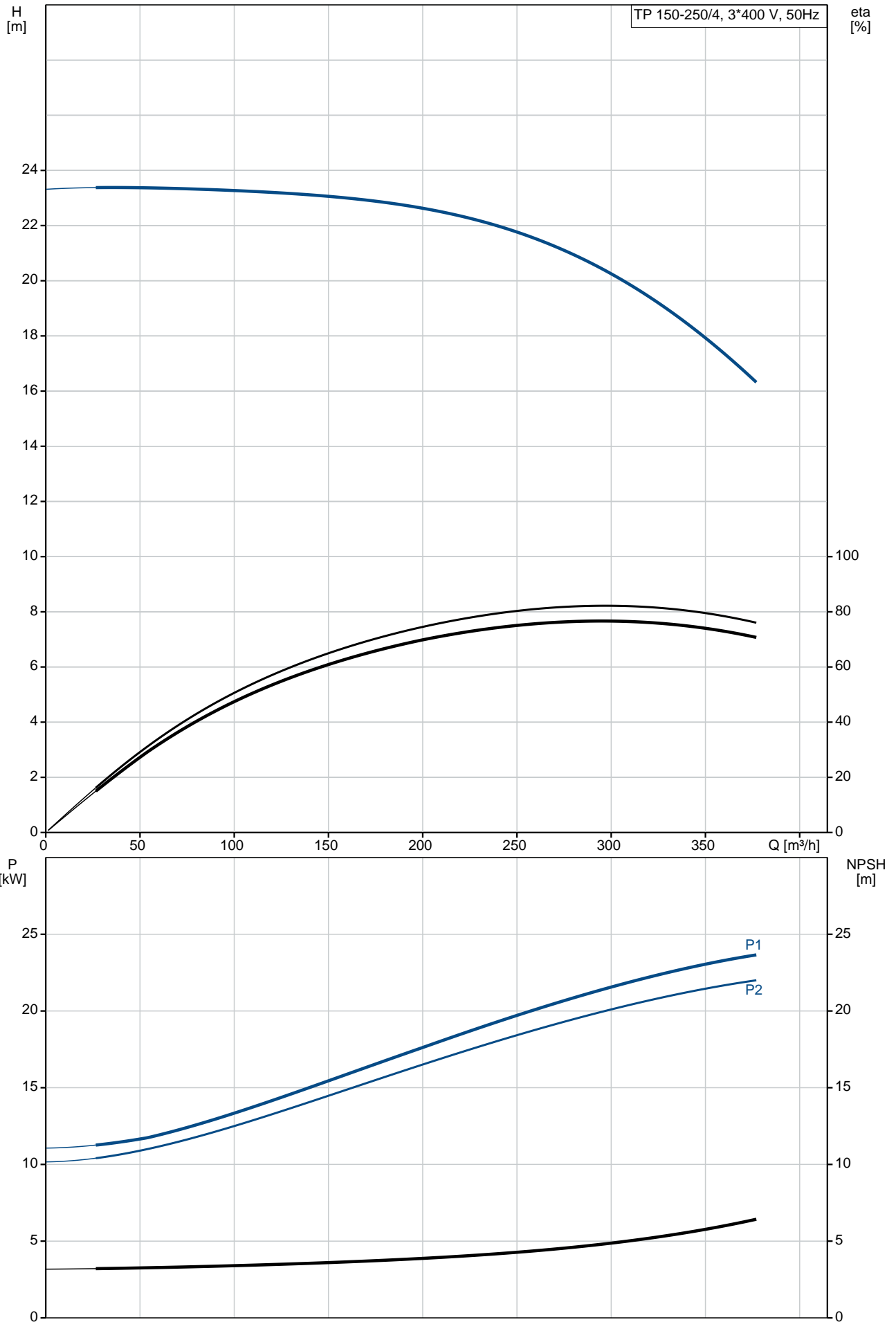
fax. +31 152 616 289

Position	Qty.	Description
	1	<p data-bbox="320 159 627 188">TP 150-250/4 A-F-A-BAQE</p>  <p data-bbox="320 481 600 510">Product No.: On request</p> <p data-bbox="320 542 1445 618">Single-stage, close-coupled, volute pump with in-line suction and discharge ports of identical diameter. The pump is of the top-pull-out design, i.e. the power head (motor, pump head and impeller) can be removed for maintenance or service while the pump housing remains in the pipework.</p> <p data-bbox="320 627 1422 678">The pump is fitted with an unbalanced rubber bellows seal. The shaft seal is according to EN 12756. Pipework connection is via PN 16 DIN flanges (EN 1092-2 and ISO 7005-2).</p> <p data-bbox="320 685 951 714">The pump is fitted with a fan-cooled asynchronous motor.</p> <p data-bbox="320 743 639 775">Further product details</p> <p data-bbox="320 779 403 810">Pump</p> <p data-bbox="320 815 1257 844">Pump housing and pump head are electrocoated to improve the corrosion resistance.</p> <p data-bbox="320 848 584 878">Electrocoating includes:</p> <ol data-bbox="320 880 810 992" style="list-style-type: none"> 1) Alkaline-based cleaning. 2) Pretreatment with zinc phosphate coating. 3) Cathodic electrocoating (epoxy). 4) Curing of paint film at 200-250 °C.  <ol data-bbox="320 1400 608 1547" style="list-style-type: none"> 1: Pump housing 2: Impeller 3: Stub shaft 4: Pump head/motor stool 5: Wear rings <p data-bbox="320 1579 1461 1630">The pump housing is provided with a replaceable brass neck ring to reduce the amount of liquid running from the outlet side of the impeller to the inlet side. The impeller is secured to the shaft with a nut.</p> <p data-bbox="320 1693 1441 1769">The pump is fitted with an unbalanced rubber bellows seal with torque transmission across the spring and around the bellows. Due to the bellows, the seal does not wear the shaft, and the axial movement is not prevented by deposits on the shaft.</p> <p data-bbox="320 1778 467 1807">Primary seal:</p> <ul data-bbox="357 1809 1091 1868" style="list-style-type: none"> • Rotating seal ring material: carbon graphite, metal-impregnated • Stationary seat material: silicon carbide (SiC) <p data-bbox="320 1868 1453 1944">This material pairing has a very good corrosion resistance and is especially suitable for water up to 120 °C. However, seal life will be reduced at temperatures above 90 °C. The material pairing is not recommended for liquids containing particles as this will result in heavy wear on the SiC face.</p> <p data-bbox="320 1953 986 1982">Secondary seal material: EPDM (ethylene-propylene rubber)</p> <p data-bbox="320 1984 1219 2013">EPDM has excellent resistance to hot water. EPDM is not suitable for mineral oils.</p> <p data-bbox="320 2042 1445 2094">A circulation of liquid through the duct of the air vent screw ensures lubrication and cooling of the shaft seal.</p>

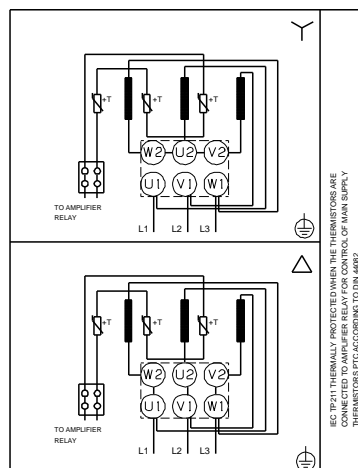
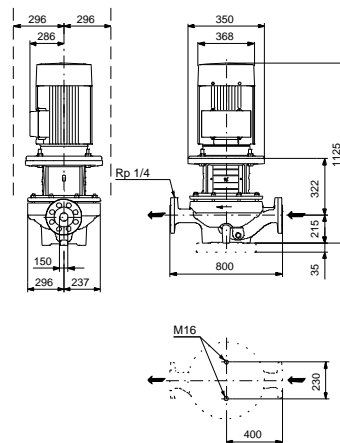
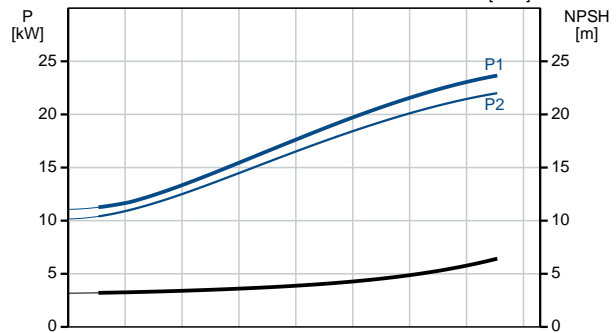
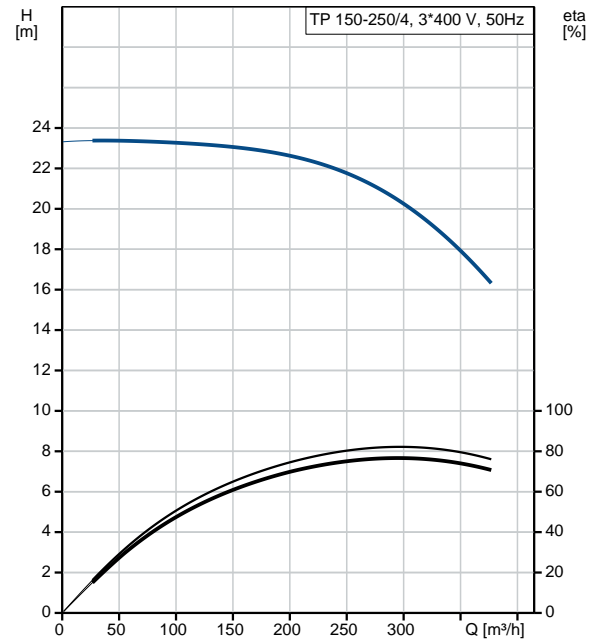
Position	Qty.	Description
		<p>The flanges have tapings for mounting of pressure gauges.</p> <p>The motor stool forms connection between the pump housing and the motor, and is equipped with a manual air vent screw for venting of the pump housing and the shaft seal chamber. The sealing between motor stool and pump housing is an O-ring.</p> <p>The central part of the motor stool is provided with guards for protection against the shaft and coupling. The pump shaft is fastened directly on the motor shaft with key and set screws.</p> <p>Motor</p> <p>The motor is a totally enclosed, fan-cooled motor with principal dimensions to IEC and DIN standards. Electrical tolerances comply with IEC 60034.</p> <p>The motor is flange-mounted with free-hole flange (FF). Motor-mounting designation in accordance with IEC 60034-7: IM B 5, IM V 1 (Code I) / IM 3001, IM 3011 (Code II).</p> <p>The motor efficiency is classified as IE3 in accordance with IEC 60034-30-1. The motor has thermistors (PTC sensors) in the windings in accordance with DIN 44081/DIN 44082. The protection reacts to both slow- and quick-rising temperatures, e.g. constant overload and stalled conditions.</p> <p>Thermal switches must be connected to an external control circuit in a way which ensures that the automatic reset cannot cause accidents. The motors must be connected to a motor-protective circuit breaker according to local regulations.</p> <p>The motor can be connected to a variable speed drive for adjustment of pump performance to any duty point. Grundfos CUE offers a range of variable speed drives. Please find more information in Grundfos Product Center.</p> <p>Technical data</p> <p>Liquid: Pumped liquid: Water Liquid temperature range: 0 .. 120 °C Liquid temperature during operation: 20 °C Density: 998.2 kg/m³</p> <p>Technical: Rated flow: 296 m³/h Rated head: 20.4 m Actual impeller diameter: 266 mm Primary shaft seal: BAQE Curve tolerance: ISO9906:2012 3B</p> <p>Materials: Pump housing: Cast iron EN-JL1040 ASTM A48-40 B Impeller: Cast iron EN-JL1030 ASTM A48-30 B</p> <p>Installation: Range of ambient temperature: -20 .. 55 °C Maximum operating pressure: 16 bar Flange standard: DIN Pipe connection: DN 150 Pump inlet: DN 150 Pump outlet: DN 150 Pressure rating: PN 16 (@): 800 mm Flange size for motor: FF300</p> <p>Electrical data: Motor type: SIEMENS IE Efficiency class: IE3</p>

Position	Qty.	Description
		<p>Rated power - P2: 22 kW</p> <p>Power (P2) required by pump: 22 kW</p> <p>Mains frequency: 50 Hz</p> <p>Rated voltage: 3 x 380-420D/660-725Y V</p> <p>Rated current: 42,5-40,5/24,6-23,6 A</p> <p>Starting current: 680-680 %</p> <p>Cos phi - power factor: 0.83</p> <p>Rated speed: 1470 rpm</p> <p>Efficiency: IE3 93,0%</p> <p>Motor efficiency at full load: 93.0-93.0 %</p> <p>Motor efficiency at 3/4 load: 93.7-93.7 %</p> <p>Motor efficiency at 1/2 load: 93.7-93.7 %</p> <p>Number of poles: 4</p> <p>Enclosure class (IEC 34-5): 55 Dust/Jetting</p> <p>Insulation class (IEC 85): F</p> <p>Others:</p> <p>Minimum efficiency index, MEI : 0.65</p> <p>ErP status: EuP Standalone/Prod.</p> <p>Net weight: 392 kg</p> <p>Gross weight: 440 kg</p> <p>Shipping volume: 921 m³</p> <p>Danish VVS No.: 382767251</p>

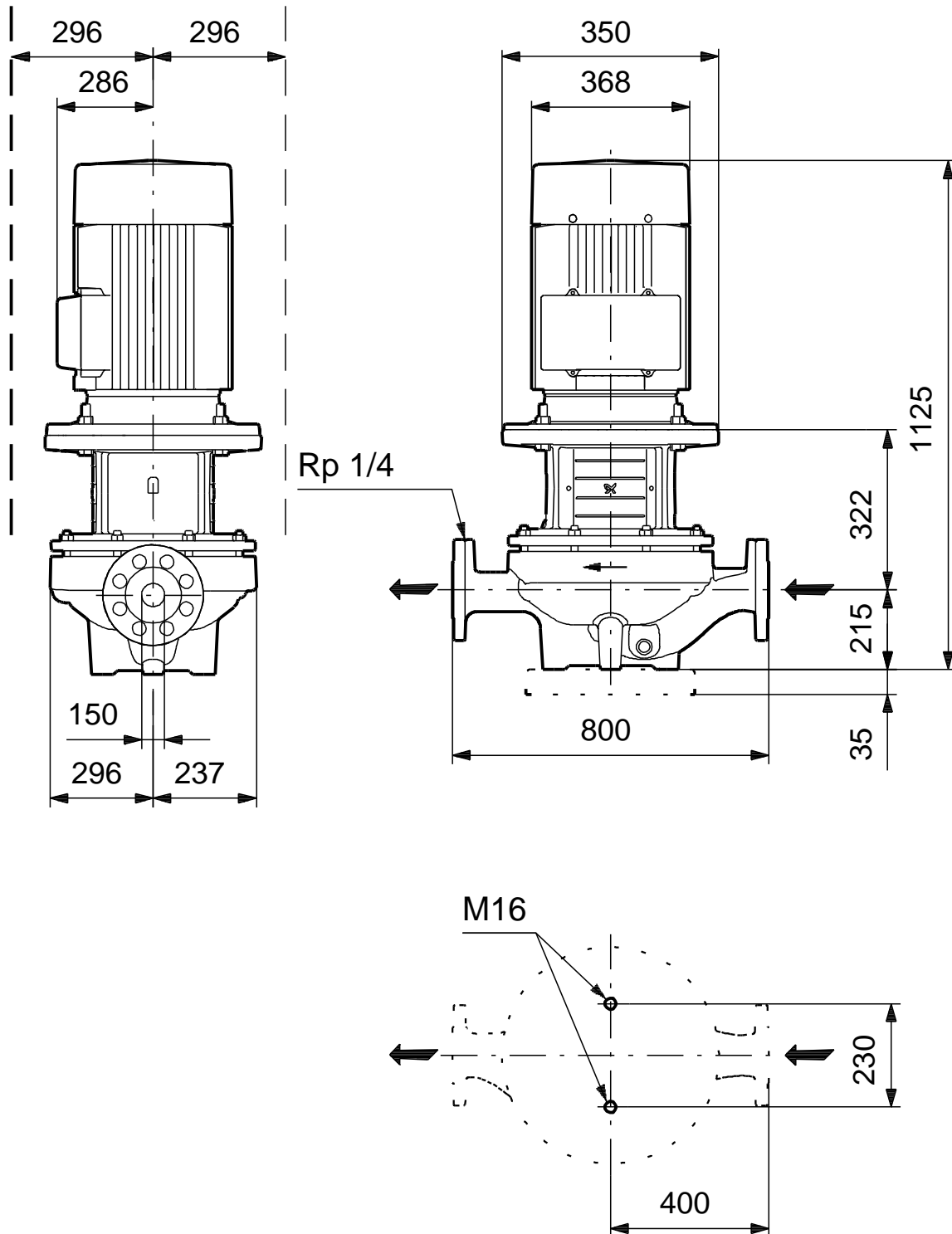
On request TP 150-250/4 A-F-A-BAQE 50 Hz



Description	Value
General information:	
Product name:	TP 150-250/4 A-F-A-BAQE
Product No:	On request
EAN number:	On request
Technical:	
Rated flow:	296 m ³ /h
Rated head:	20.4 m
Head max:	250 dm
Actual impeller diameter:	266 mm
Primary shaft seal:	BAQE
Curve tolerance:	ISO9906:2012 3B
Pump version:	A
Model:	A
Materials:	
Pump housing:	Cast iron EN-JL1040 ASTM A48-40 B
Impeller:	Cast iron EN-JL1030 ASTM A48-30 B
Material code:	A
Installation:	
Range of ambient temperature:	-20 .. 55 °C
Maximum operating pressure:	16 bar
Flange standard:	DIN
Pipe connection:	DN 150
Pump inlet:	DN 150
Pump outlet:	DN 150
Pressure rating:	PN 16
(@)	800 mm
Flange size for motor:	FF300
Connect code:	F
Liquid:	
Pumped liquid:	Water
Liquid temperature range:	0 .. 120 °C
Liquid temperature during operation:	20 °C
Density:	998.2 kg/m ³
Electrical data:	
Motor type:	SIEMENS
IE Efficiency class:	IE3
Rated power - P2:	22 kW
Power (P2) required by pump:	22 kW
Mains frequency:	50 Hz
Rated voltage:	3 x 380-420D/660-725Y V
Rated current:	42,5-40,5/24,6-23,6 A
Starting current:	680-680 %
Cos phi - power factor:	0.83
Rated speed:	1470 rpm
Efficiency:	IE3 93,0%
Motor efficiency at full load:	93.0-93.0 %
Motor efficiency at 3/4 load:	93.7-93.7 %
Motor efficiency at 1/2 load:	93.7-93.7 %
Number of poles:	4
Enclosure class (IEC 34-5):	55 Dust/Jetting
Insulation class (IEC 85):	F
Motor protec:	PTC
Motor No:	99032118
Others:	
Minimum efficiency index, MEI :	0.65
ErP status:	EuP Standalone/Prod.
Net weight:	392 kg
Gross weight:	440 kg
Shipping volume:	921 m ³
Danish VVS No.:	382767251

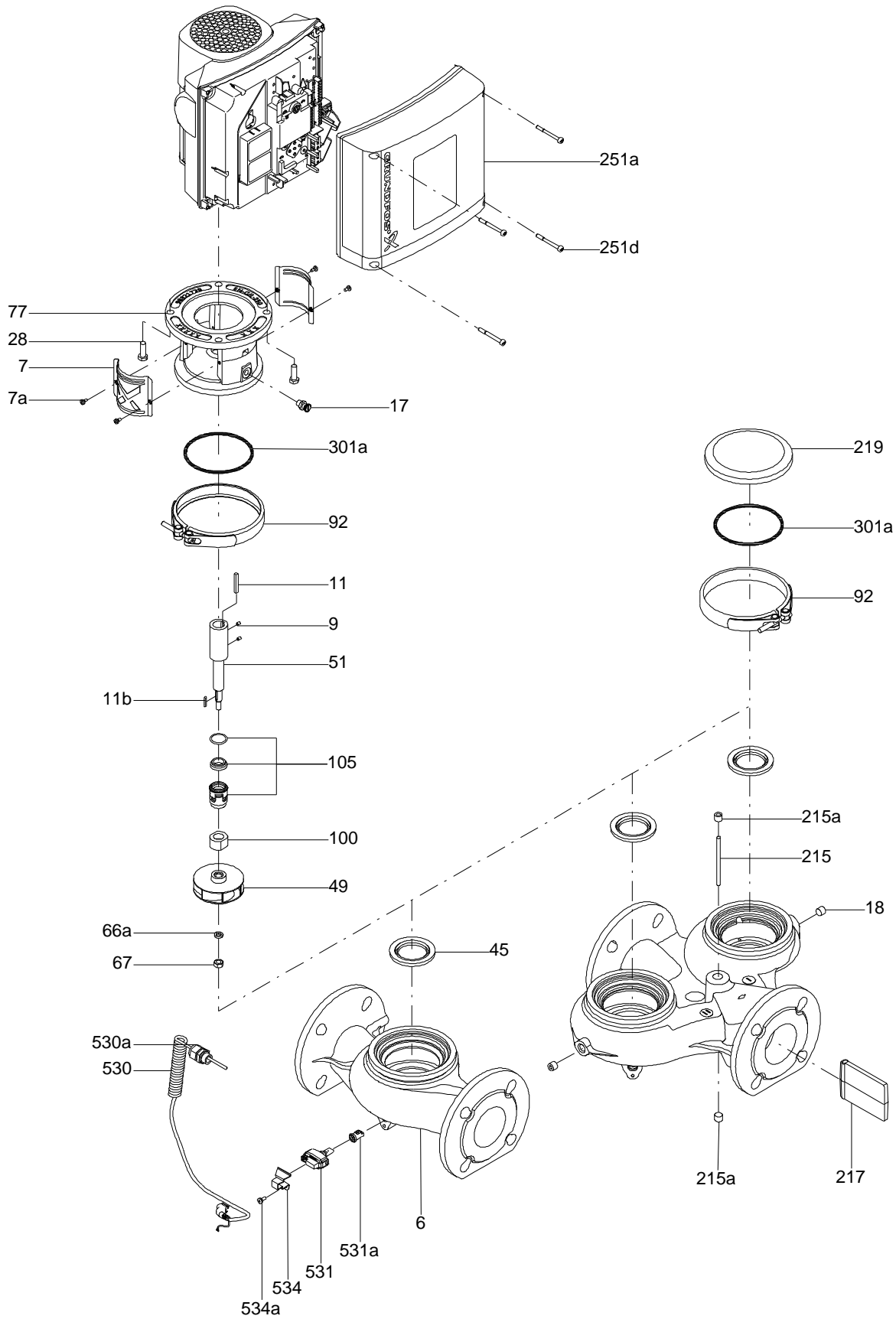


On request TP 150-250/4 A-F-A-BAQE 50 Hz

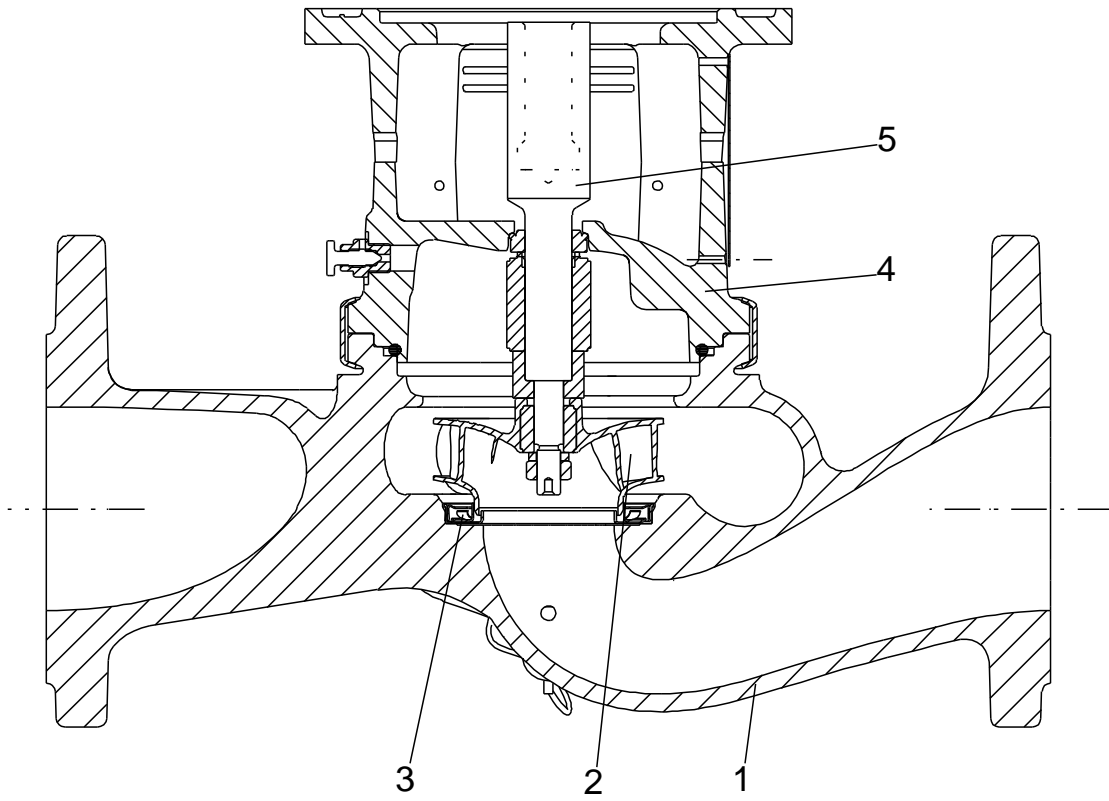


Note! All units are in [mm] unless others are stated.
Disclaimer: This simplified dimensional drawing does not show all details.

Exploded view

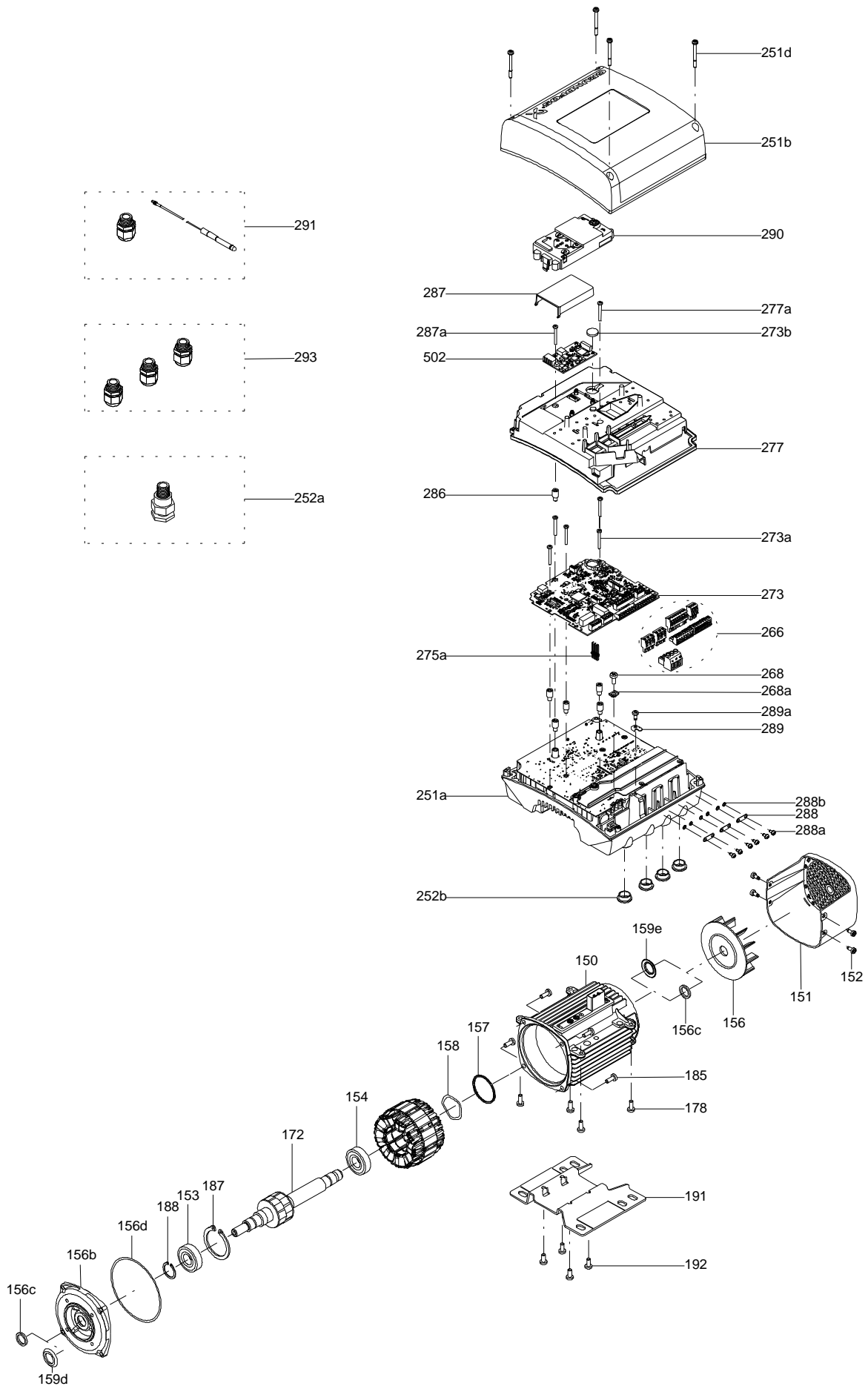


Sectional drawing (TM058200 for TPE2,TPE3)



TM058200

Exploded view (TM057026 for MGE model H/I)



Parts list TP 150-250/4, Product No. On request
Valid from 19.3.2012 (1212)

Pos	Description	Annotation	Données de classification	Référence	Quantité	Unité
+	Motor				1	pcs
-	Nut				1	pcs
66	Washer		Designation: DIN 125 A2		1	
			Internal diameter: 19			
			Outer diameter: 34			
			Thickness: 3			
66a	Spring lock washer				1	
67	Nut		Thread: M18		1	
-	Motor stool cpl.				1	pcs
1a	Motor stool				1	
7	Coupling guard				2	
77a	Pan head screw				4	
-	Cover cpl.				1	pcs
36	Nut		Thread: M10		8	
77	Cover				1	
-	Pump housing cpl.				1	pcs
6	Pump housing				1	
19	Plug				1	
20	Plug				1	
66a	Nut		Thread: M12		10	
-	Shaft seal cpl.				1	pcs
72.a	O-ring		Diameter: 278,99		1	
			Material type: EPDM			
			Thickness: 3,53			
105	Shaft seal		Material type: BAQE		1	
105b	Spacer				1	
-	Stub shaft				1	pcs
9	Socket set screw		Length (mm): 6		2	
			Thread: M8			
11	Parallel key				1	
51	Pump shaft		Diameter: 32		1	
-	Base plate cpl.				1	pcs
28g	Hex head cap screw		Length (mm): 30 MM		2	
			Thread: M16			
56	Base plate				1	
19	Plug				2	pcs
49	Impeller				1	pcs
105b	Spacer				1	pcs

Disclaimer: The information about the Grundfos pump in this document may be outdated.

Data may be subject to alterations without further notice.

Please contact us to verify the data above is still accurate/up-to-date.

All information is copyright Grundfos.



info@lenntech.com

<https://www.lenntech.com>

tel. +31 152 610 900

fax. +31 152 616 289