

CRT 2-13 A-P-A-E-AUUE 3x230D/400Y V Grundfos pump 96100309




Thank you for your interest in our products. Please contact us for more information, or visit our website

<https://www.lenntech.com/grundfos/CRT02/96100309/CRT-2-13-A-P-A-E-AUUE.html>

info@lenntech.com

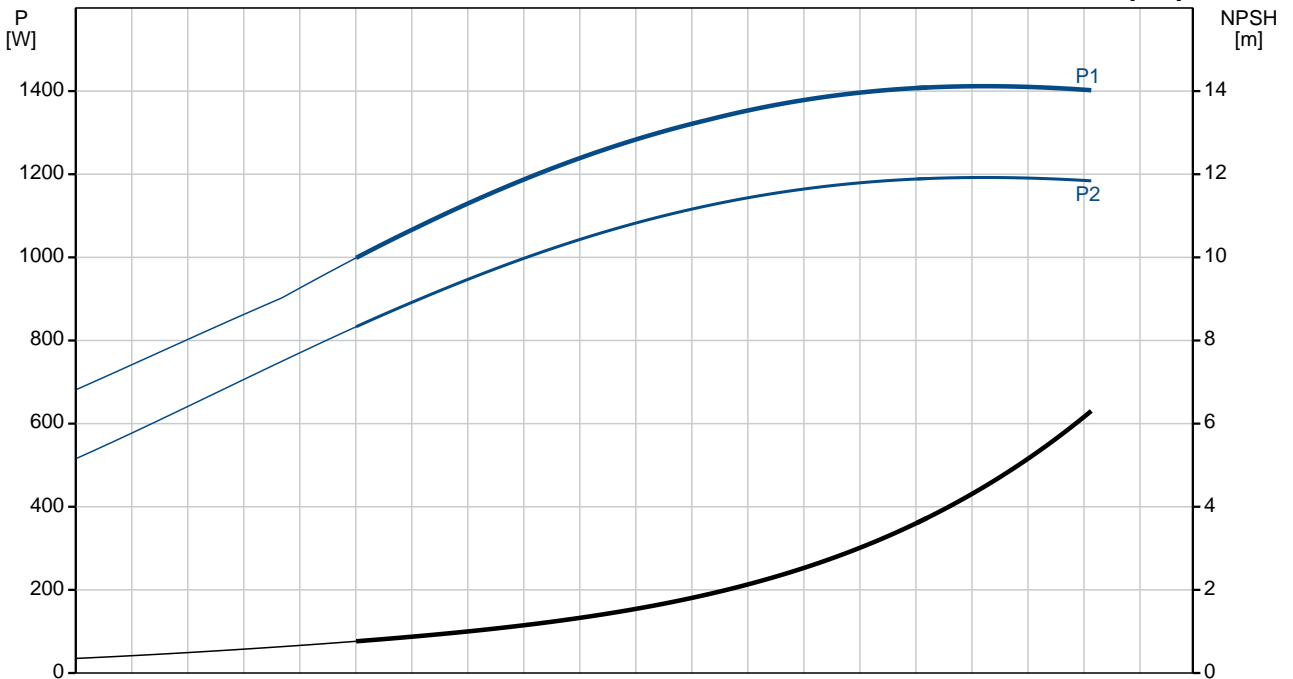
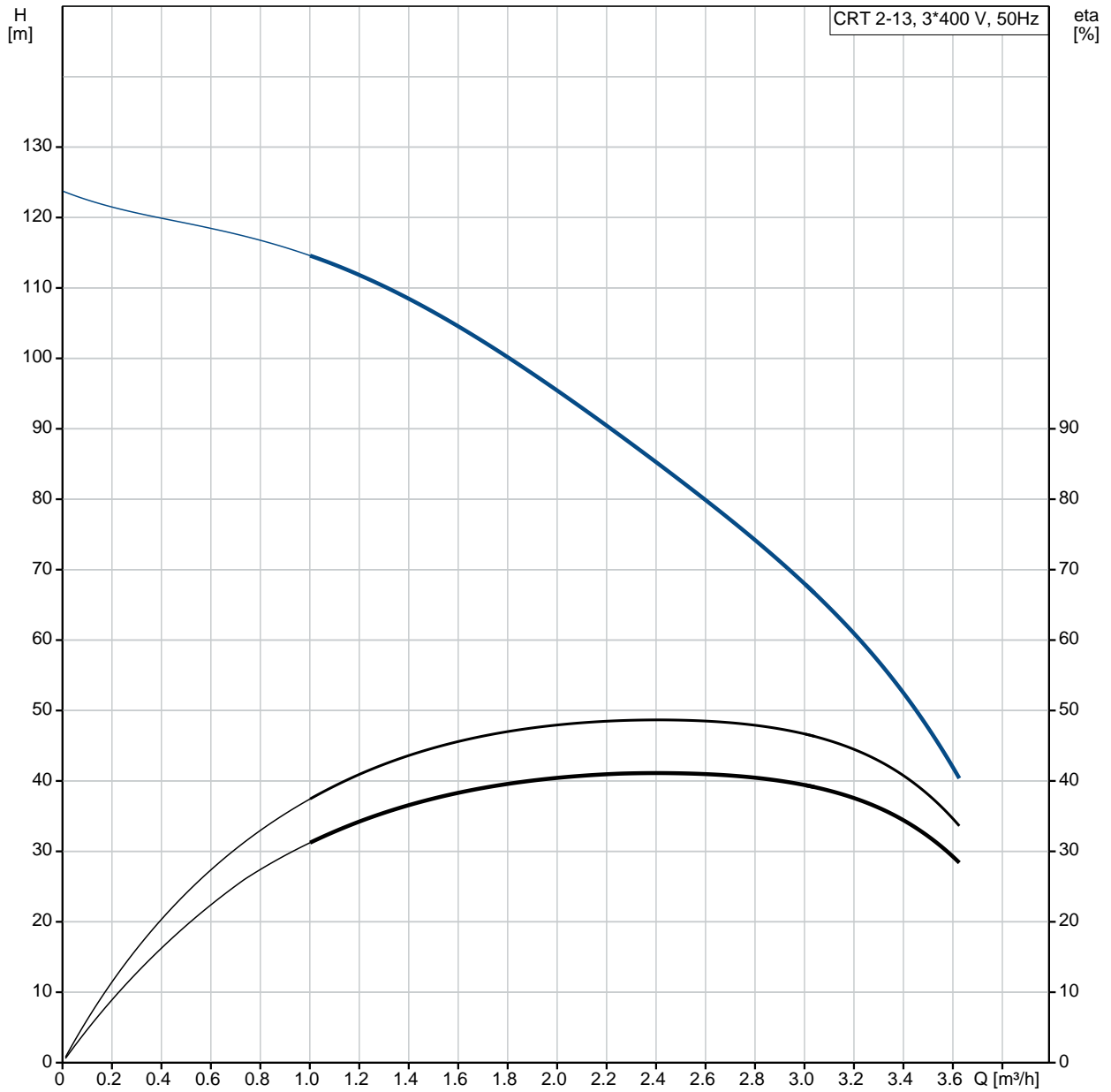
tel. +31 152 610 900

fax. +31 152 616 289

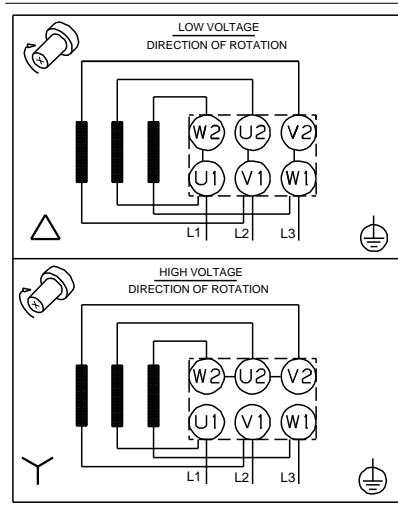
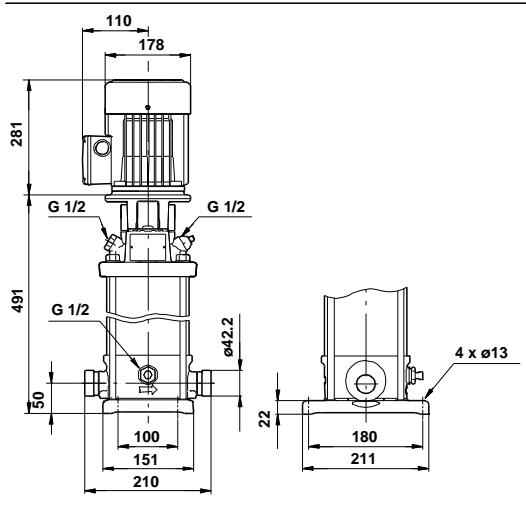
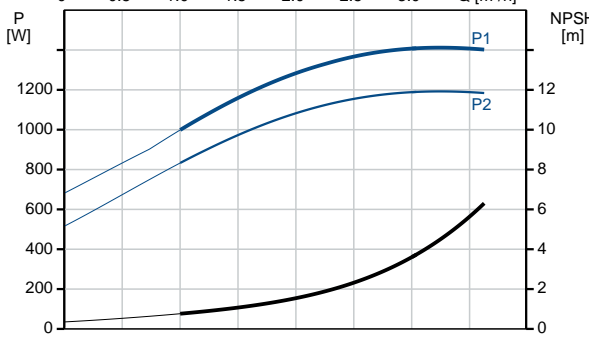
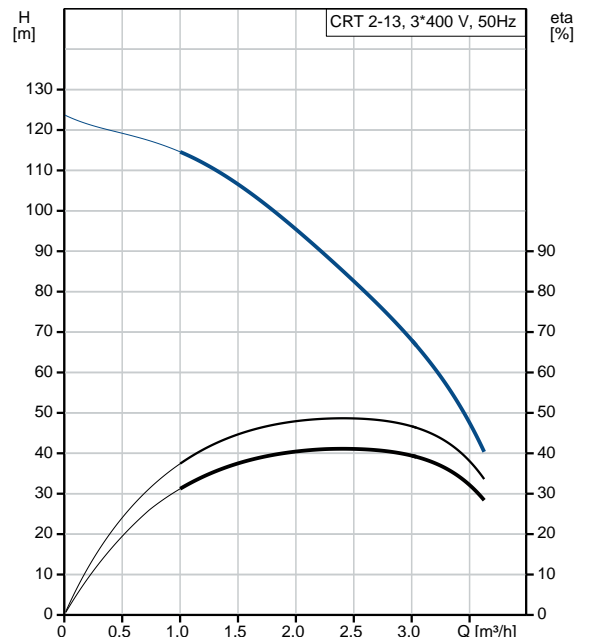
Position	Qty.	Description
	1	<p data-bbox="322 163 606 190">CRT 2-13 A-P-A-E-AUUE</p>  <p data-bbox="322 488 842 600">Product No.: On request Vertical, non-self-priming, multistage, in-line, centrifugal pump for installation in pipe systems and mounting on a foundation.</p> <p data-bbox="322 636 948 927">The pump has the following characteristics:</p> <ul style="list-style-type: none"> - Impellers, intermediate chambers and outer sleeve are made of Titanium. - Pump head cover and base are made of Titanium. - The shaft seal has assembly length according to EN 12756. - Power transmission is via cast iron split coupling. - Pipework connection is via PJE flanges/couplings. <p data-bbox="322 958 695 985">The motor is a 3-phase AC motor.</p> <p data-bbox="322 1021 405 1048">Liquid:</p> <p data-bbox="322 1052 823 1164">Pumped liquid: Water Liquid temperature range: -20 .. 120 °C Liquid temperature during operation: 20 °C Density: 998.2 kg/m³</p> <p data-bbox="322 1200 443 1227">Technical:</p> <p data-bbox="322 1232 880 1375">Rated flow: 2.5 m³/h Rated head: 74.1 m Primary shaft seal: AUUE Approvals on nameplate: CE, TR Curve tolerance: ISO9906:2012 3B</p> <p data-bbox="322 1411 437 1438">Materials:</p> <p data-bbox="322 1442 826 1585">Pump housing: Titanium ASTM B 265 Impeller: Titanium ASTM B 265 Bush material: NONE</p> <p data-bbox="322 1621 459 1648">Installation:</p> <p data-bbox="322 1653 858 1823">Maximum ambient temperature: 60 °C Max pressure at stated temp: 25 bar / 120 °C 25 bar / -20 °C Flange standard: PJE Pipe connection: 42,4 mm Flange size for motor: FT115</p> <p data-bbox="322 1859 497 1886">Electrical data:</p> <p data-bbox="322 1890 970 2092">Motor type: 90SB IE Efficiency class: IE3 Rated power - P2: 1.5 kW Power (P2) required by pump: 1.5 kW 1.5 kW Mains frequency: 50 Hz Rated voltage: 3 x 220-240D/380-415Y V</p>

Position	Qty.	Description
		<p>Rated current: 5.45/3.15 A</p> <p>Starting current: 850-930 %</p> <p>Cos phi - power factor: 0.87-0.82</p> <p>Rated speed: 2890-2910 rpm</p> <p>Efficiency: IE3 84,2%</p> <p>Motor efficiency at full load: 84.2 %</p> <p>Motor efficiency at 3/4 load: 84.5 %</p> <p>Motor efficiency at 1/2 load: 83.1 %</p> <p>Number of poles: 2</p> <p>Enclosure class (IEC 34-5): 55 Dust/Jetting</p> <p>Insulation class (IEC 85): F</p> <p>Others:</p> <p>Minimum efficiency index, MEI : 0.7</p> <p>Net weight: 31.1 kg</p> <p>Gross weight: 36.1 kg</p>

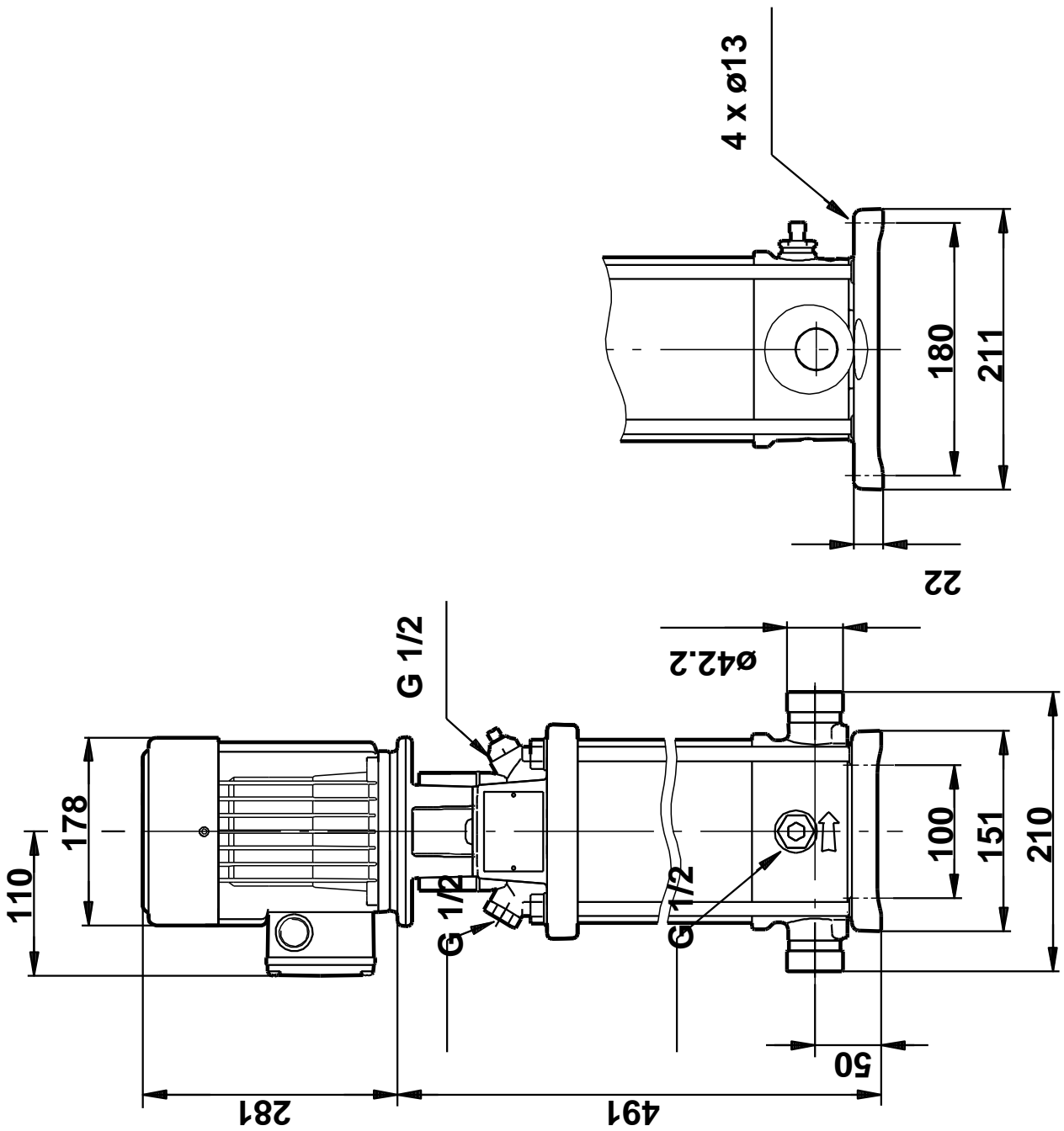
On request CRT 2-13 A-P-A-E-AUUE 50 Hz



Description	Value
General information:	
Product name:	CRT 2-13 A-P-A-E-AUUE
Product No:	On request
EAN number:	On request
Technical:	
Rated flow:	2.5 m ³ /h
Rated head:	74.1 m
Head max:	122 m
Stages:	15
Impellers:	13
Primary shaft seal:	AUUE
Approvals on nameplate:	CE, TR
Curve tolerance:	ISO9906:2012 3B
Pump version:	A
Model:	A
Materials:	
Pump housing:	Titanium ASTM B 265
Impeller:	Titanium ASTM B 265
Material code:	A
Code for rubber:	E
Bush material:	NONE
Installation:	
Maximum ambient temperature:	60 °C
Max pressure at stated temp:	25 bar / 120 °C 25 bar / -20 °C
Flange standard:	PJE
Pipe connection:	42,4 mm
Flange size for motor:	FT115
Connect code:	P
Liquid:	
Pumped liquid:	Water
Liquid temperature range:	-20 .. 120 °C
Liquid temperature during operation:	20 °C
Density:	998.2 kg/m ³
Electrical data:	
Motor type:	90SB
IE Efficiency class:	IE3
Rated power - P2:	1.5 kW
Power (P2) required by pump:	1.5 kW
Mains frequency:	50 Hz
Rated voltage:	3 x 220-240D/380-415Y V
Rated current:	5.45/3.15 A
Starting current:	850-930 %
Cos phi - power factor:	0.87-0.82
Rated speed:	2890-2910 rpm
Efficiency:	IE3 84,2%
Motor efficiency at full load:	84.2 %
Motor efficiency at 3/4 load:	84.5 %
Motor efficiency at 1/2 load:	83.1 %
Number of poles:	2
Enclosure class (IEC 34-5):	55 Dust/Jetting
Insulation class (IEC 85):	F
Motor protec:	NONE
Motor No:	85U05906
Others:	
Minimum efficiency index, MEI :	0.7
Net weight:	31.1 kg
Gross weight:	36.1 kg

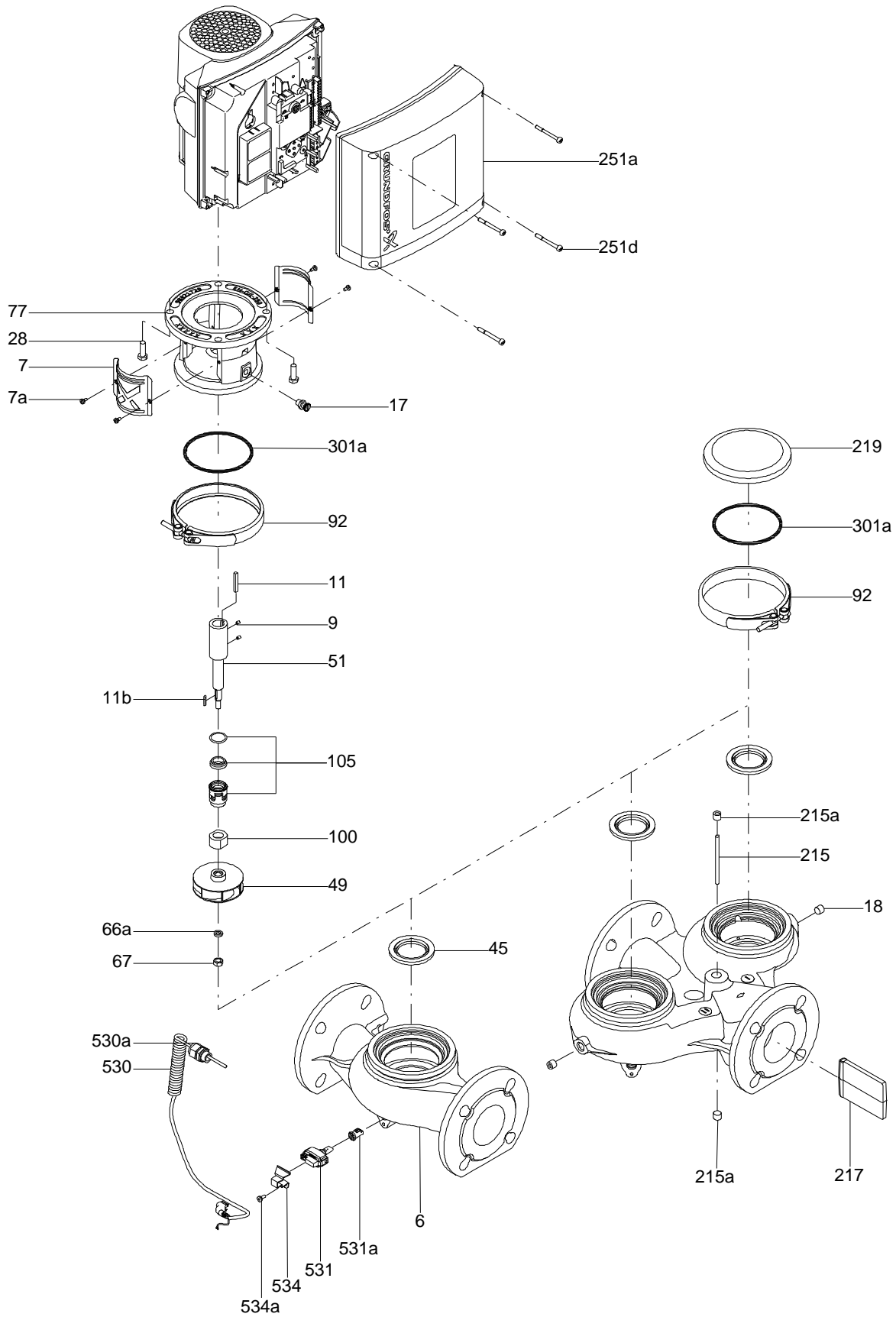


On request CRT 2-13 A-P-A-E-AUUE 50 Hz

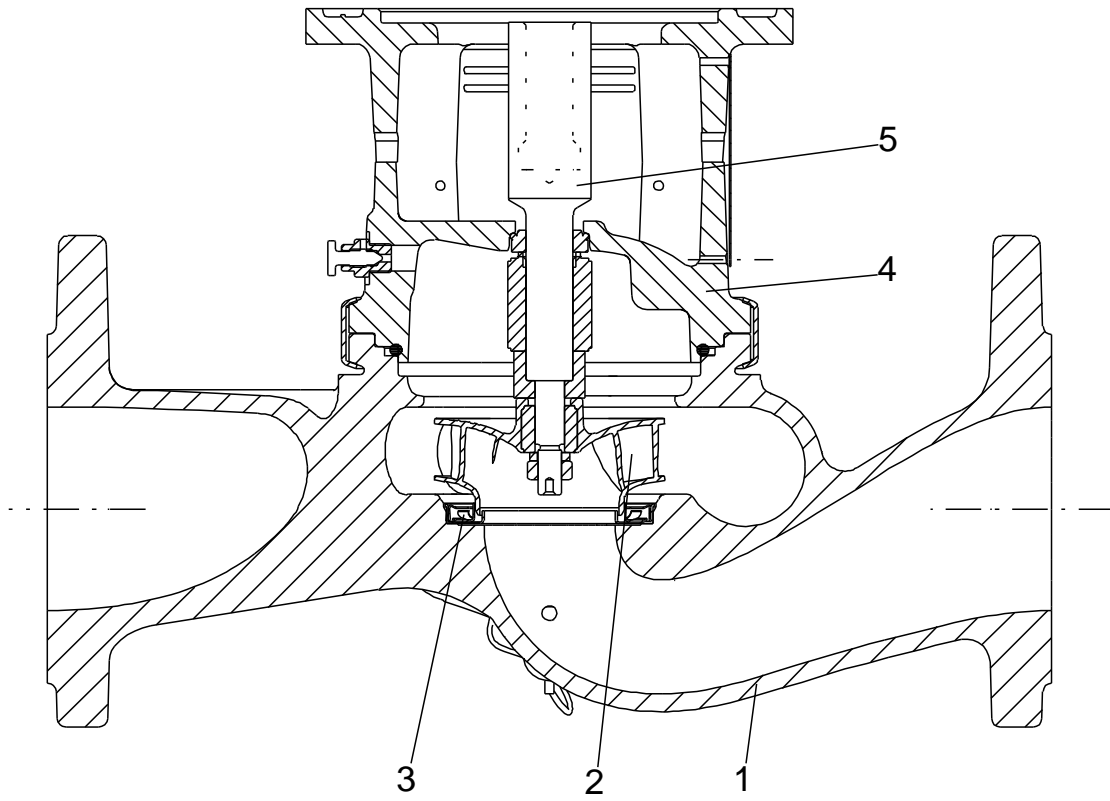


Note! All units are in [mm] unless others are stated.
Disclaimer: This simplified dimensional drawing does not show all details.

Exploded view

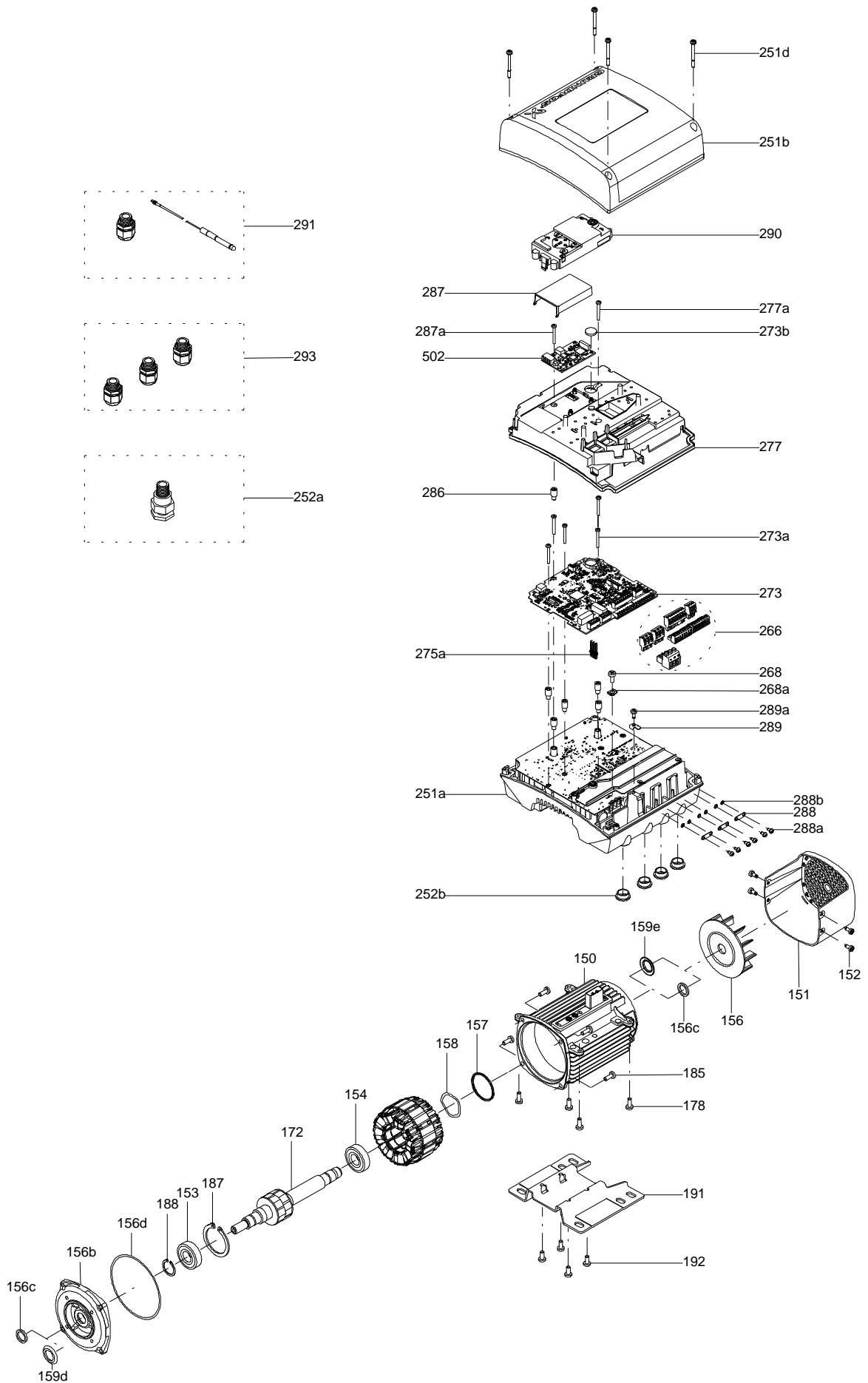


Sectional drawing (TM058200 for TPE2,TPE3)



TM058200

Exploded view (TM057026 for MGE model H/I)



Parts list CRT 2-13, Product No. On request
Valid from 1.1.2011 (1152)

Pos	Description	Annotation	Données de classification	Référence	Quantité	Unité
+	Motor				1	pcs
-	Base cpl.				1	pcs
	Plug				2	
6	Base				1	
56	Base plate				1	
-	Pump head cpl.				1	pcs
2	Pump head				1	
7	Coupling guard				2	
7a	Combi Slot Torx screw				4	
9	Hex socket head cap screw		Designation: DIN 912		4	
			Length (mm): 25			
			Thread: M8			
10	Shaft pin		Diameter: 5		1	
			Length (mm): 26			
10a	Coupling half				2	
18	Air vent screw		Thread: RG 1/2		1	
23	Plug				1	
28	Hex head screw		Length (mm): 20		4	
			Thread: M8			
36	Nut		Thread: M12		4	
60	Formed wire spring				1	
66a	Washer		Designation: DIN 125 A2		4	
			Internal diameter: 13			
			Outer diameter: 24			
			Thickness: 2,5			
77	Pump head cover				1	
107	Plug				1	
-	Rubber parts cpl.				1	pcs
25	Priming valve cpl.				1	
37	O-ring				2	
100	O-ring		Diameter: 16,3		2	
			Material type: EPDM			
			Thickness: 2,4			
106	O-ring		Diameter: 22,00		1	
			Material type: EPDM			
			Thickness: 2,75			
-	Kit, chamber stack				1	pcs
3	Intermediate chamber cpl.				1	
3b	Intermediate chamber				1	
-	4 Intermediate chamber cpl.				10	
	Intermediate chamber				1	
45	Neck ring				1	
65	Neck ring retainer				1	
-	4a Chamber cpl.				2	
	Intermediate chamber				1	
45	Neck ring				1	
65	Neck ring retainer				1	
-	5a Intermediate chamber cpl.				1	
	Intermediate chamber				1	
45	Neck ring				1	
65	Neck ring retainer				1	
47a	Bearing ring, rotating				2	
49	Impeller cpl.				13	
50a	Plate for top chamber				1	
51	Shaft cpl.		Diameter: M12		1	
			Length (mm): 372.4			
61	Spacer for shaft seal				1	
64	Spacing pipe		Internal diameter: 12,7		10	
			Outer diameter: 15,0			

Pos	Description	Annotation	Données de classification	Référence	Quantité	Unité
			Length (mm): 17,5			
64a	Spacing pipe				2	
64c	Spacing pipe		Internal diameter: 12,7		1	
			Outer diameter: 16,2			
			Length (mm): 10,5			
64d	Spacing pipe				1	
67	Lock nut		Thread: M8		1	
67a	Split pin		Designation: DIN 94		1	
			Diameter: 2,5			
			Length (mm): 20			
69	Spacing pipe		Internal diameter: 12,7		2	
			Outer diameter: 15,0			
			Length (mm): 18,0			
-	Documentation / labels				1	pcs
76	Nameplate				1	
76a	Rivet				2	
26	Staybolt		Length (mm): 367		4	pcs
			Thread: M12			
55	Sleeve		Material type: TITAN		1	pcs
			Dimension: L=260,6			
-	80 Chamber stack				1	pcs
3	Chamber cpl.				1	
3b	Intermediate chamber				1	
-	4 Intermediate chamber cpl.				10	
	Intermediate chamber				1	
45	Neck ring				1	
65	Neck ring retainer				1	
-	4a Chamber cpl.				2	
	Intermediate chamber				1	
45	Neck ring				1	
65	Neck ring retainer				1	
-	5a Intermediate chamber cpl.				1	
	Intermediate chamber				1	
45	Neck ring				1	
65	Neck ring retainer				1	
47a	Bearing ring, rotating				2	
49	Impeller cpl.				13	
50a	Plate for top chamber				1	
51	Shaft cpl.		Diameter: M12		1	
			Length (mm): 372.4			
61	Spacer for shaft seal				1	
64	Spacing pipe		Internal diameter: 12,7		10	
			Outer diameter: 15,0			
			Length (mm): 17,5			
64a	Spacing pipe				3	
64c	Spacing pipe		Internal diameter: 12,7		1	
			Outer diameter: 16,2			
			Length (mm): 10,5			
67	Lock nut		Thread: M8		1	
67a	Split pin		Designation: DIN 94		1	
			Diameter: 2,5			
			Length (mm): 20			
69	Spacing pipe		Internal diameter: 12,7		2	
			Outer diameter: 15,0			
			Length (mm): 18,0			
105	Shaft seal		Material type: AUUE		1	pcs

Disclaimer: The information about the Grundfos pump in this document may be outdated.

Data may be subject to alterations without further notice.

Please contact us to verify the data above is still accurate/up-to-date.

All information is copyright Grundfos.



info@lenntech.com

<https://www.lenntech.com>

tel. +31 152 610 900

fax. +31 152 616 289