

CRT 2-11 A-P-A-E-AUUE 3x230D/400Y V Grundfos pump 96100308




Thank you for your interest in our products. Please contact us for more information, or visit our website

<https://www.lenntech.com/grundfos/CRT02/96100308/CRT-2-11-A-P-A-E-AUUE.html>

info@lenntech.com

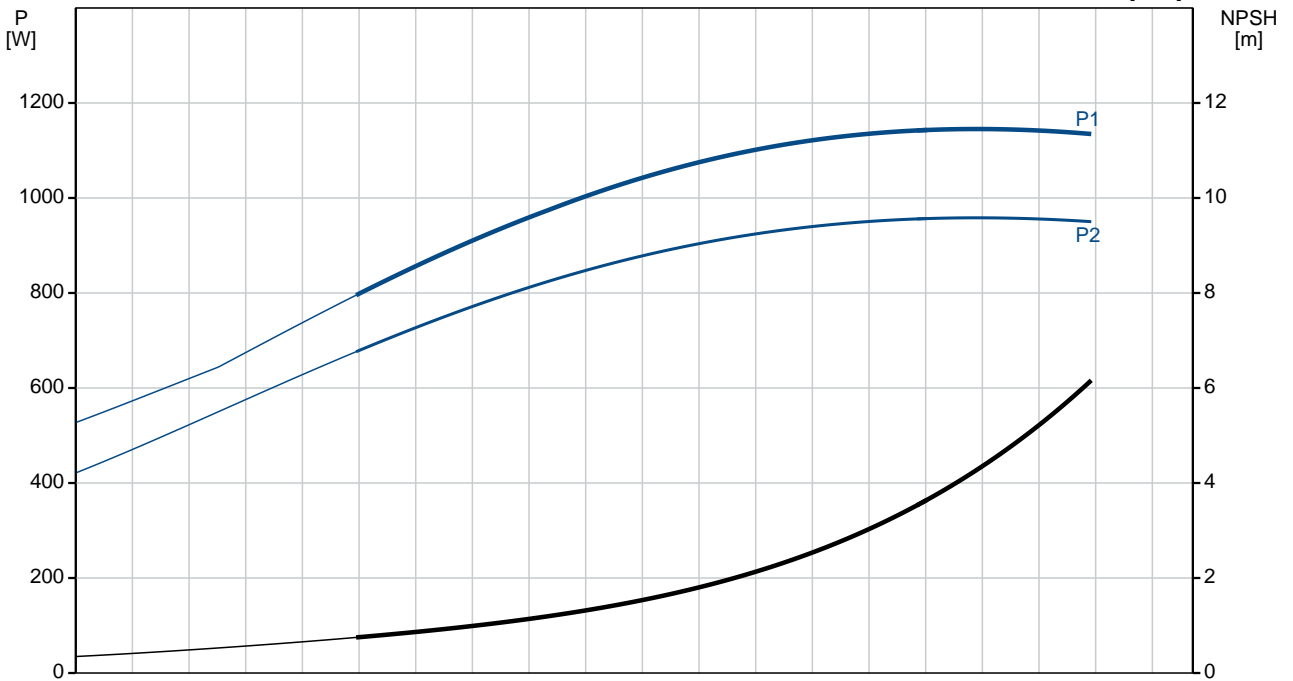
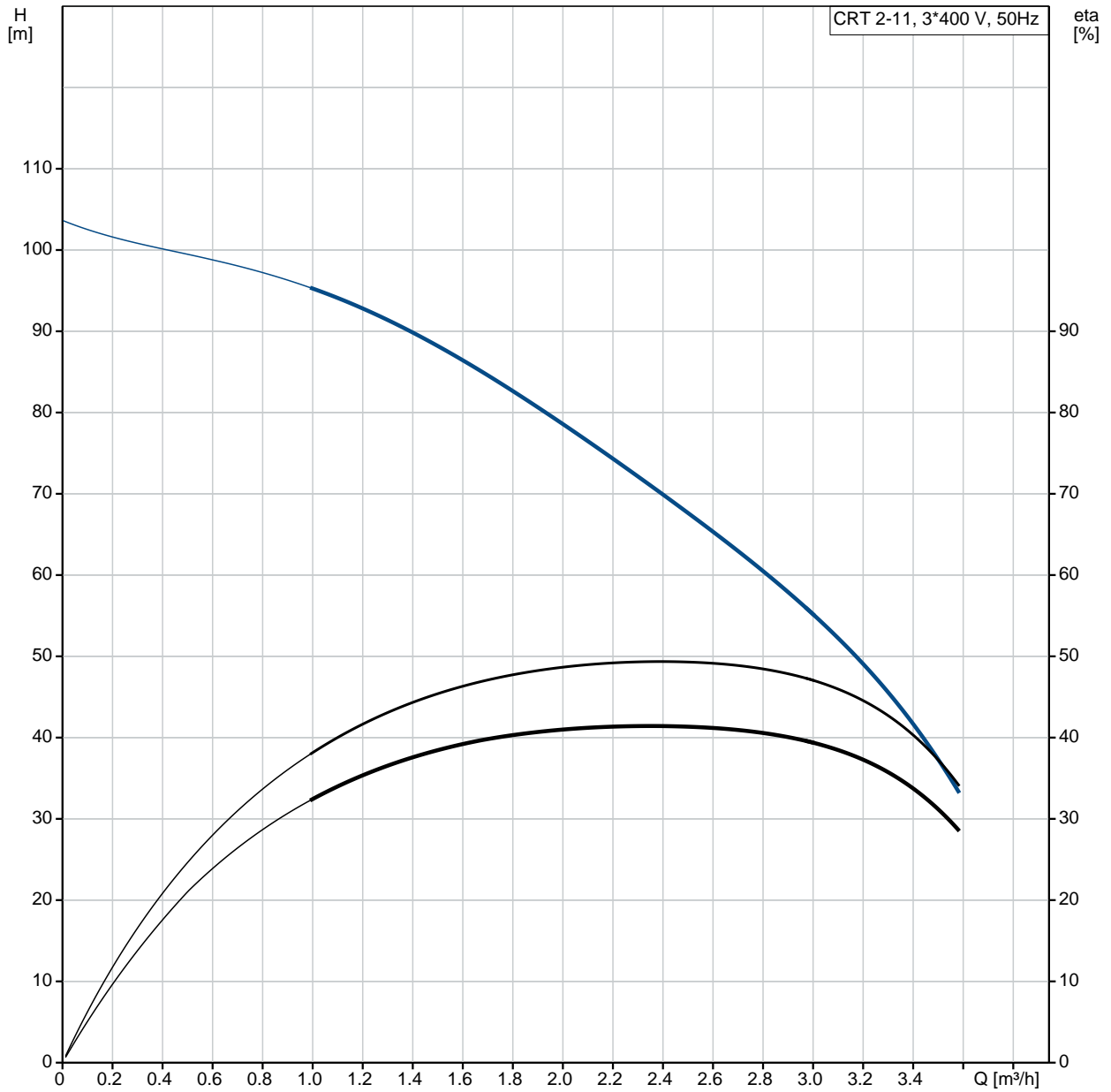
tel. +31 152 610 900

fax. +31 152 616 289

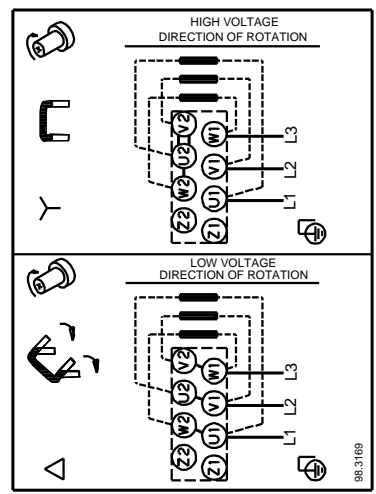
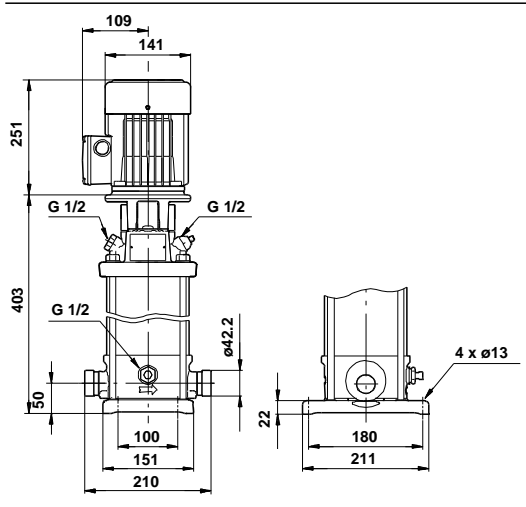
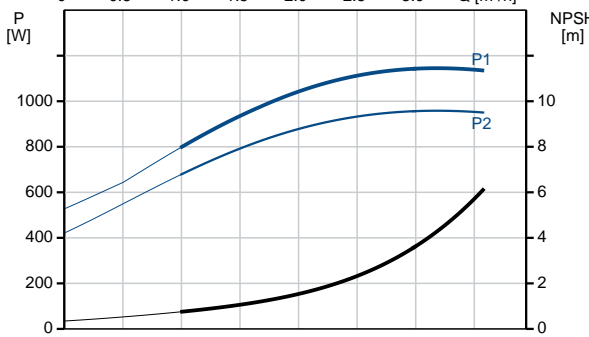
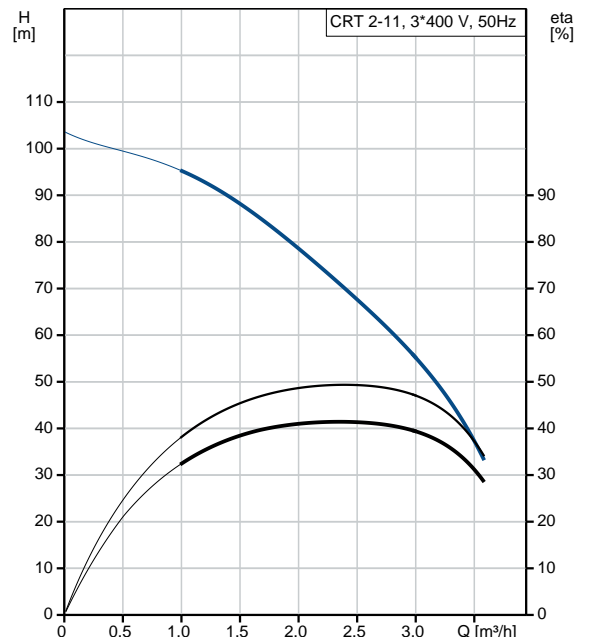
Position	Qty.	Description
	1	<p data-bbox="320 163 608 194">CRT 2-11 A-P-A-E-AUUE</p>  <p data-bbox="320 488 842 600">Product No.: On request Vertical, non-self-priming, multistage, in-line, centrifugal pump for installation in pipe systems and mounting on a foundation.</p> <p data-bbox="320 636 948 927">The pump has the following characteristics: - Impellers, intermediate chambers and outer sleeve are made of Titanium. - Pump head cover and base are made of Titanium. - The shaft seal has assembly length according to EN 12756. - Power transmission is via cast iron split coupling. - Pipework connection is via PJE flanges/couplings.</p> <p data-bbox="320 958 695 990">The motor is a 3-phase AC motor.</p> <p data-bbox="320 1021 826 1169">Liquid: Pumped liquid: Water Liquid temperature range: -20 .. 120 °C Liquid temperature during operation: 20 °C Density: 998.2 kg/m³</p> <p data-bbox="320 1200 884 1375">Technical: Rated flow: 2.5 m³/h Rated head: 62.7 m Primary shaft seal: AUUE Approvals on nameplate: CE, TR Curve tolerance: ISO9906:2012 3B</p> <p data-bbox="320 1406 826 1581">Materials: Pump housing: Titanium ASTM B 265 Impeller: Titanium ASTM B 265 Bush material: NONE</p> <p data-bbox="320 1612 858 1823">Installation: Maximum ambient temperature: 60 °C Max pressure at stated temp: 25 bar / 120 °C 25 bar / -20 °C Flange standard: PJE Pipe connection: 42,4 mm Flange size for motor: FT100</p> <p data-bbox="320 1854 970 2092">Electrical data: Motor type: 80C IE Efficiency class: IE3 Rated power - P2: 1.1 kW Power (P2) required by pump: 1.1 kW 1.1 kW Mains frequency: 50 Hz Rated voltage: 3 x 220-240D/380-415Y V</p>

Position	Qty.	Description
		<p>Rated current: 4.35/2.50 A</p> <p>Starting current: 450-500 %</p> <p>Cos phi - power factor: 0.83-0.76</p> <p>Rated speed: 2840-2870 rpm</p> <p>Efficiency: IE3 82,7%</p> <p>Motor efficiency at full load: 82.7 %</p> <p>Motor efficiency at 3/4 load: 84.6 %</p> <p>Motor efficiency at 1/2 load: 85.4 %</p> <p>Number of poles: 2</p> <p>Enclosure class (IEC 34-5): 55 Dust/Jetting</p> <p>Insulation class (IEC 85): F</p> <p>Others:</p> <p>Minimum efficiency index, MEI : 0.7</p> <p>Net weight: 20.5 kg</p> <p>Gross weight: 25.5 kg</p>

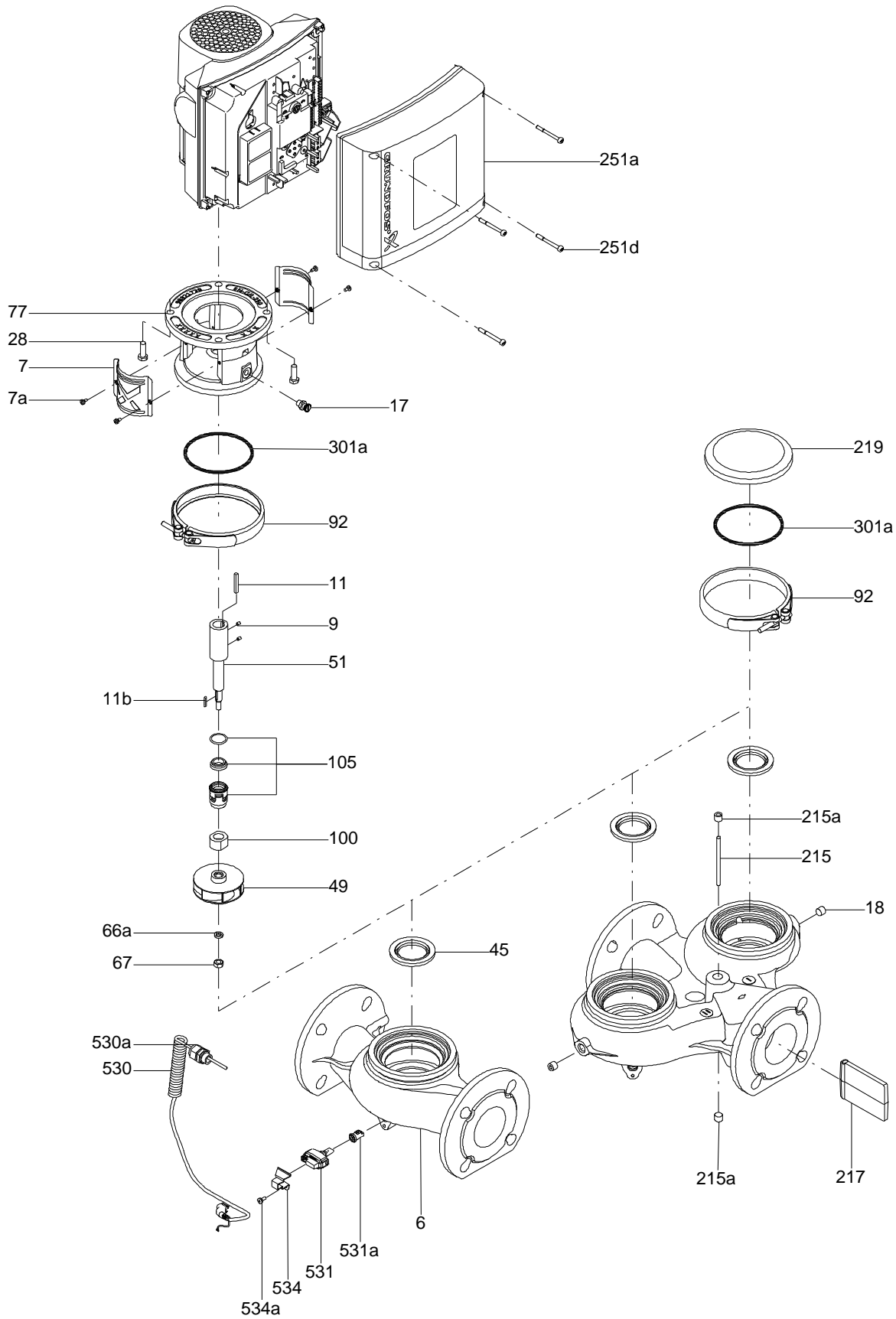
On request CRT 2-11 A-P-A-E-AUUE 50 Hz



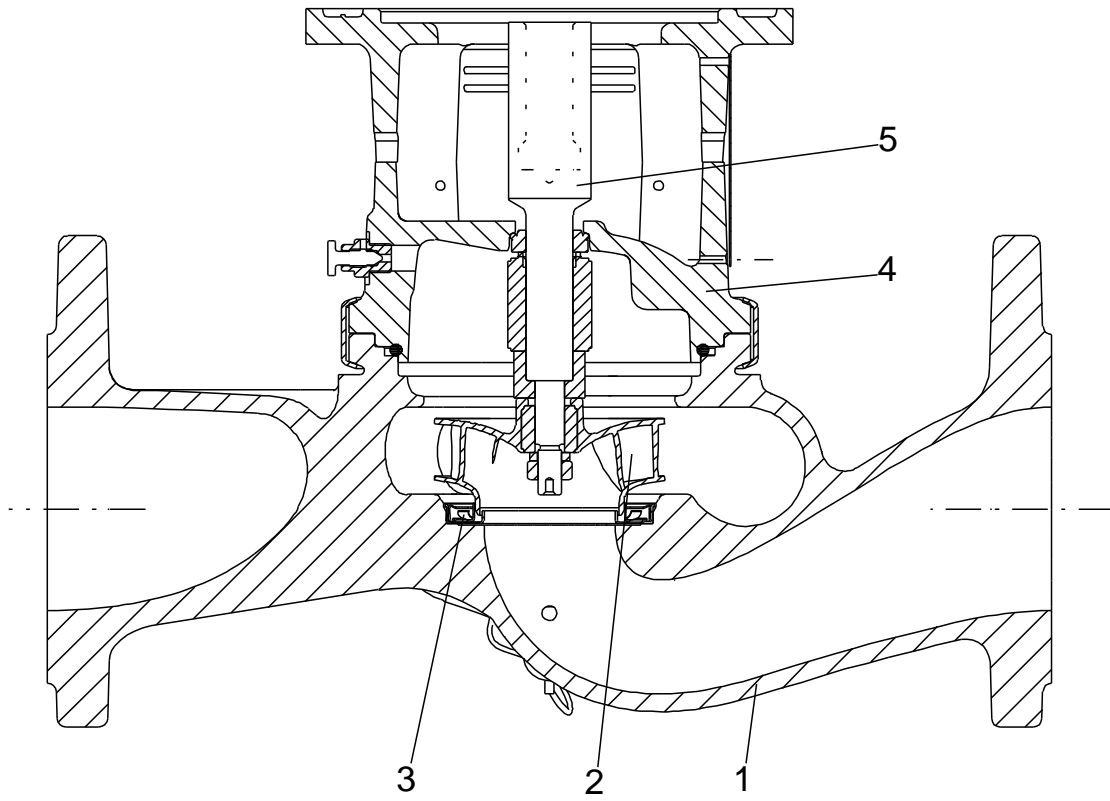
Description	Value
General information:	
Product name:	CRT 2-11 A-P-A-E-AUUE
Product No:	On request
EAN number:	On request
Technical:	
Rated flow:	2.5 m ³ /h
Rated head:	62.7 m
Head max:	102 m
Stages:	11
Impellers:	11
Primary shaft seal:	AUUE
Approvals on nameplate:	CE, TR
Curve tolerance:	ISO9906:2012 3B
Pump version:	A
Model:	A
Materials:	
Pump housing:	Titanium ASTM B 265
Impeller:	Titanium ASTM B 265
Material code:	A
Code for rubber:	E
Bush material:	NONE
Installation:	
Maximum ambient temperature:	60 °C
Max pressure at stated temp:	25 bar / 120 °C 25 bar / -20 °C
Flange standard:	PJE
Pipe connection:	42,4 mm
Flange size for motor:	FT100
Connect code:	P
Liquid:	
Pumped liquid:	Water
Liquid temperature range:	-20 .. 120 °C
Liquid temperature during operation:	20 °C
Density:	998.2 kg/m ³
Electrical data:	
Motor type:	80C
IE Efficiency class:	IE3
Rated power - P2:	1.1 kW
Power (P2) required by pump:	1.1 kW
Mains frequency:	50 Hz
Rated voltage:	3 x 220-240D/380-415Y V
Rated current:	4.35/2.50 A
Starting current:	450-500 %
Cos phi - power factor:	0.83-0.76
Rated speed:	2840-2870 rpm
Efficiency:	IE3 82,7%
Motor efficiency at full load:	82.7 %
Motor efficiency at 3/4 load:	84.6 %
Motor efficiency at 1/2 load:	85.4 %
Number of poles:	2
Enclosure class (IEC 34-5):	55 Dust/Jetting
Insulation class (IEC 85):	F
Motor protec:	NONE
Motor No:	85U05105
Others:	
Minimum efficiency index, MEI :	0.7
Net weight:	20.5 kg
Gross weight:	25.5 kg



Exploded view

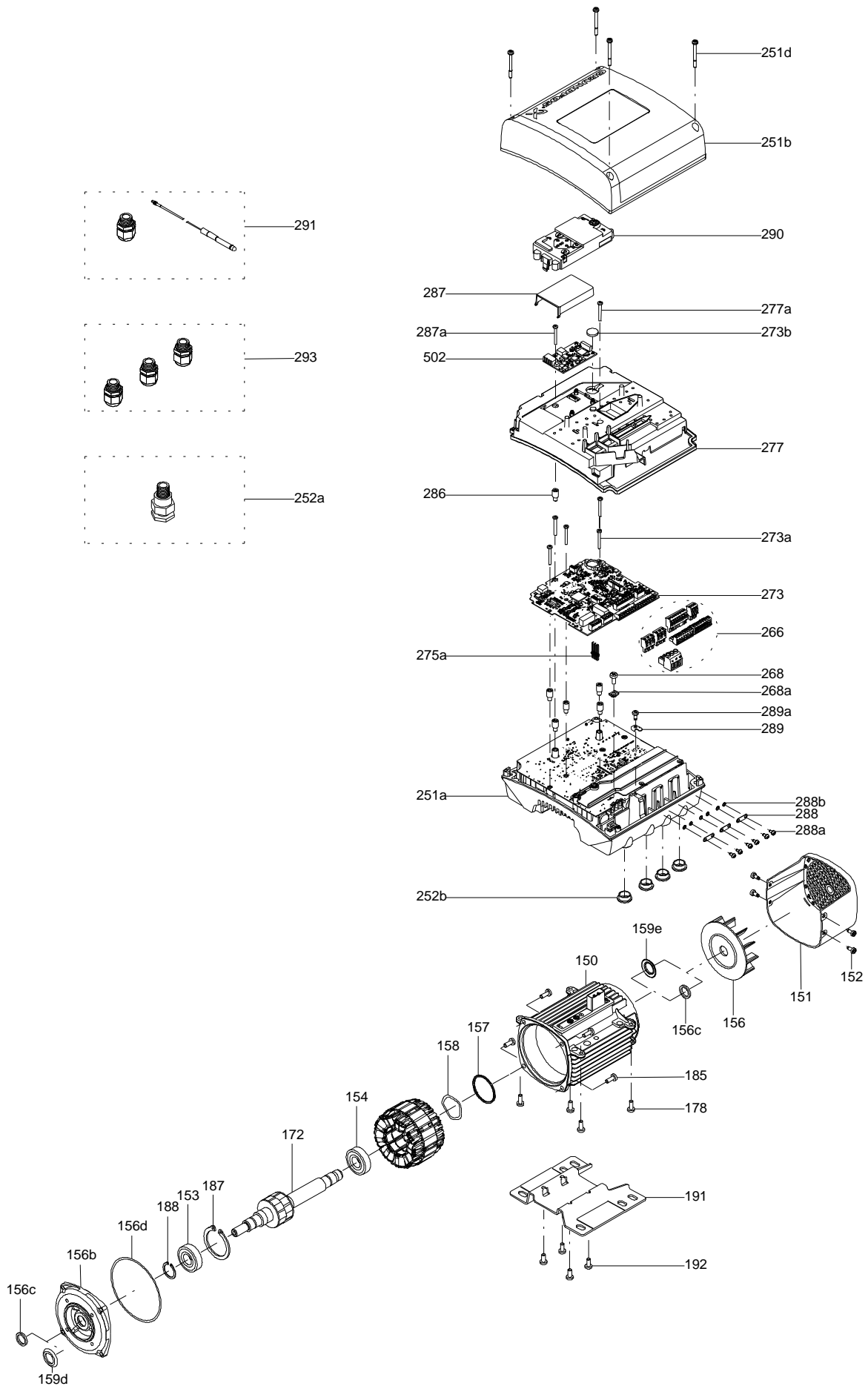


Sectional drawing (TM058200 for TPE2,TPE3)



TM058200

Exploded view (TM057026 for MGE model H/I)



Parts list CRT 2-11, Product No. On request
Valid from 1.5.2011 (1117)

Pos	Description	Annotation	Données de classification	Référence	Quantité	Unité
+	Motor				1	pcs
-	Base cpl.				1	pcs
	Plug				2	
6	Base				1	
56	Base plate				1	
-	Pump head cpl.				1	pcs
2	Pump head				1	
7	Coupling guard				2	
7a	Combi Slot Torx screw				4	
9	Hex socket head cap screw		Designation: DIN 912		4	
			Length (mm): 20			
			Thread: M6			
10	Shaft pin		Diameter: 5		1	
			Length (mm): 26			
10a	Coupling half				2	
18	Air vent screw		Thread: RG 1/2		1	
23	Plug				1	
28	Hex head screw		Length (mm): 25 MM		4	
			Thread: M6			
36	Nut		Thread: M12		4	
60	Formed wire spring				1	
66a	Washer		Designation: DIN 125 A2		4	
			Internal diameter: 13			
			Outer diameter: 24			
			Thickness: 2,5			
77	Pump head cover				1	
107	Plug				1	
-	Rubber parts cpl.				1	pcs
25	Priming valve cpl.				1	
37	O-ring				2	
100	O-ring		Diameter: 16,3		2	
			Material type: EPDM			
			Thickness: 2,4			
106	O-ring		Diameter: 22,00		1	
			Material type: EPDM			
			Thickness: 2,75			
-	Documentation / labels				1	pcs
76	Nameplate				1	
76a	Rivet				2	
26	Staybolt		Length (mm): 292		4	pcs
			Thread: M12			
55	Sleeve		Material type: TITAN		1	pcs
			Dimension: L=188,6			
-	80 Chamber stack				1	pcs
-	4 Intermediate chamber cpl.				8	
	Intermediate chamber				1	
45	Neck ring				1	
65	Neck ring retainer				1	
-	4a Chamber cpl.				2	
	Intermediate chamber				1	
45	Neck ring				1	
65	Neck ring retainer				1	
-	5a Intermediate chamber cpl.				1	
	Intermediate chamber				1	
45	Neck ring				1	
65	Neck ring retainer				1	
47a	Bearing ring, rotating				2	
49	Impeller cpl.				11	
50a	Guide vane				1	

Pos	Description	Annotation	Données de classification	Référence	Quantité	Unité
51	Pump shaft cpl.		Diameter: M12 Length (mm): 300.4		1	
61	Spacer for shaft seal				1	
64	Spacing pipe		Internal diameter: 12,7 Outer diameter: 15,0 Length (mm): 17,5		8	
64a	Spacing pipe				3	
64c	Spacing pipe		Internal diameter: 12,7 Outer diameter: 16,2 Length (mm): 10,5		1	
67	Lock nut		Thread: M8		1	
67a	Split pin		Designation: DIN 94 Diameter: 2,5 Length (mm): 20		1	
105	Shaft seal		Material type: AUUE		1	pcs

Disclaimer: The information about the Grundfos pump in this document may be outdated.

Data may be subject to alterations without further notice.

Please contact us to verify the data above is still accurate/up-to-date.

All information is copyright Grundfos.



info@lenntech.com

<https://www.lenntech.com>

tel. +31 152 610 900

fax. +31 152 616 289