

## UNILIFT AP35B.50.06.A1V 1x230V 5m SCH Grundfos pump 96004562




Thank you for your interest in our products. Please contact us for more information, or visit our website

<https://www.lenntech.com/grundfos/AP35B/96004562/UNILIFT-AP35B-50-06-A1-V.html>

[info@lenntech.com](mailto:info@lenntech.com)

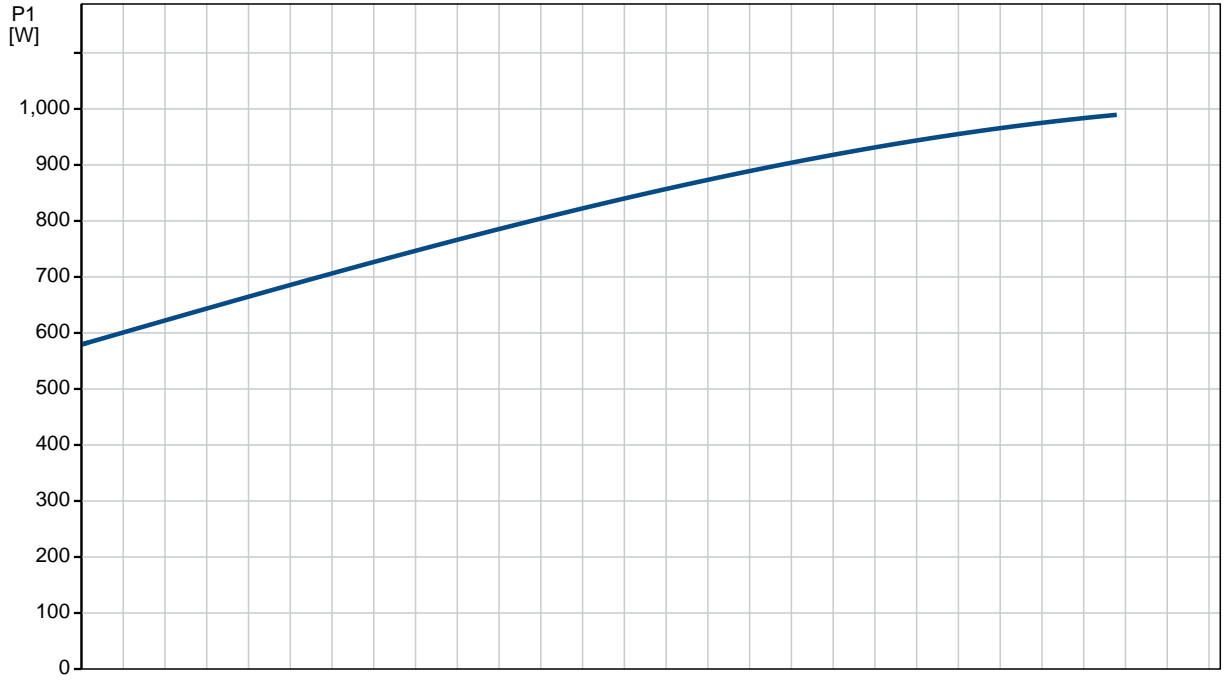
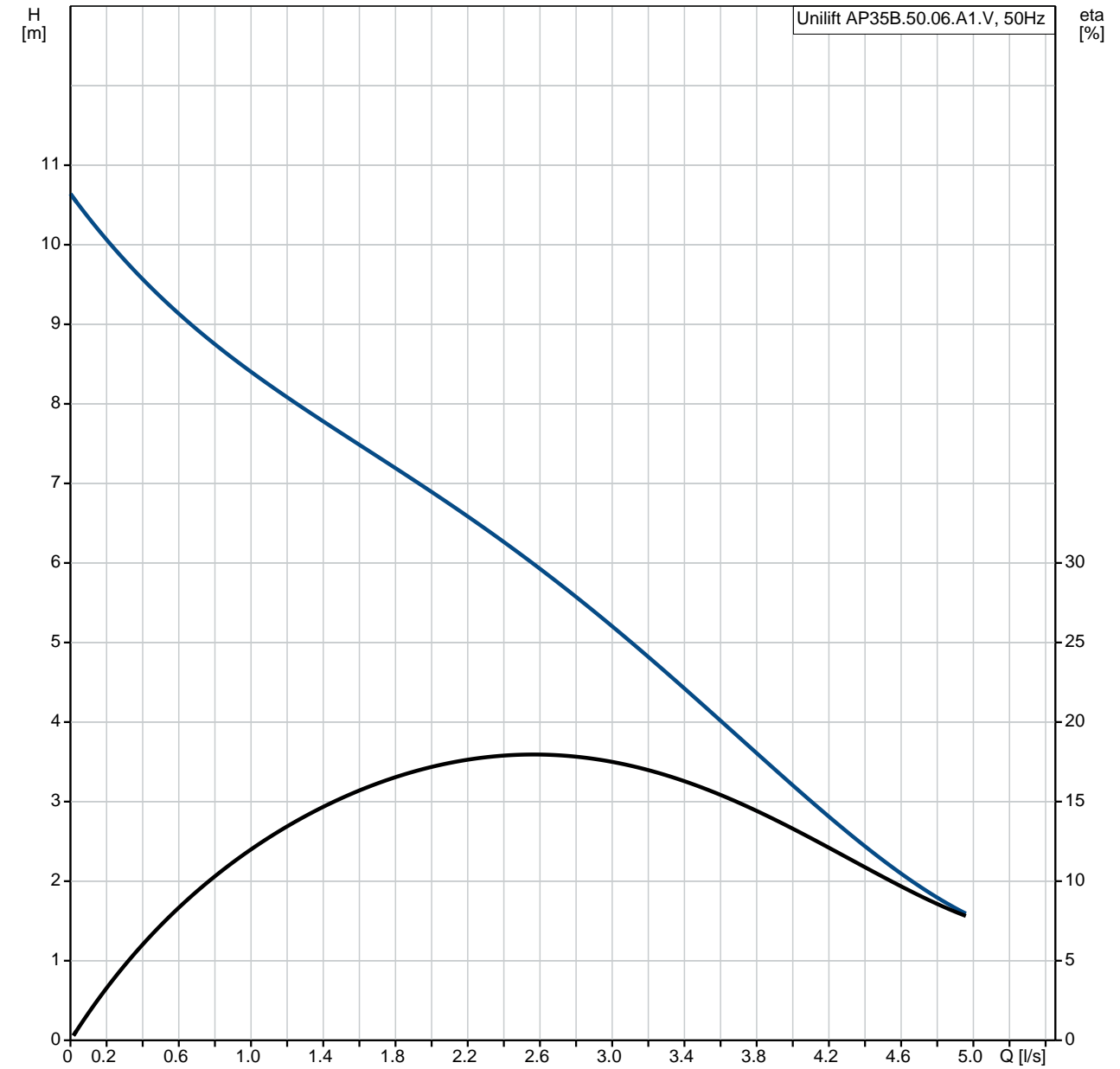
tel. +31 152 610 900

fax. +31 152 616 289

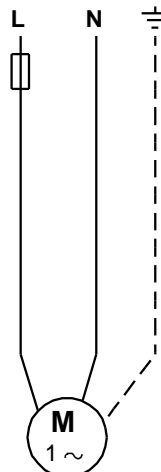
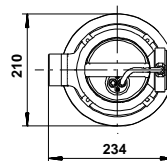
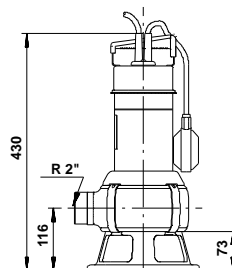
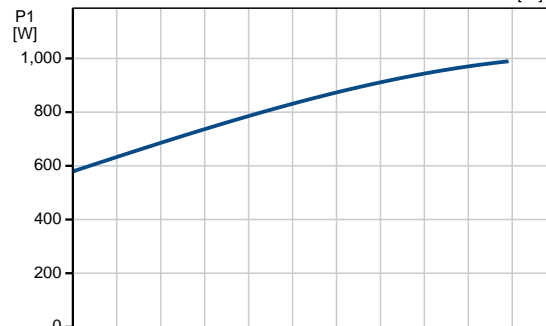
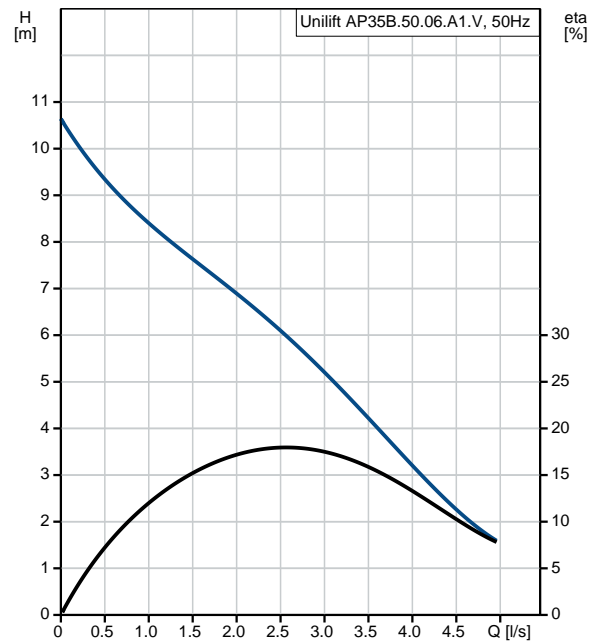
Position	Qty.	Description
	1	<p data-bbox="320 163 608 197"><b>Unilift AP35B.50.06.A1.V</b></p>  <p data-bbox="711 595 1193 622"><b>Note! Product picture may differ from actual product</b></p> <p data-bbox="320 629 616 685">Product No.: On request Submersible effluent pump</p> <p data-bbox="320 719 847 801">Vertical single-stage stainless steel submersible pump with integrated submersible 1-phase motor.</p> <p data-bbox="320 835 826 954">The pump is fitted with ring stand and carrying handle and is supplied with a 5 m mains cable and a level switch for automatic start and stop.</p> <p data-bbox="320 987 807 1106">The impeller is a VORTEX impeller for 35 mm free passage suitable for pumping surface water, groundwater, wastewater and similar.</p> <p data-bbox="320 1140 855 1223">The pump has a double shaft seal and an intermediate oil chamber pre-filled with non-toxic special oil.</p> <p data-bbox="320 1256 863 1346">The motor is insulation class F with thermal overload protection and has long-life deep-groove greased-for-life ball bearings.</p> <p data-bbox="320 1379 791 1462">The pump has R 2" discharge port and is ready for installation either free-standing or on an auto-coupling system.</p> <p data-bbox="320 1496 815 1579"><b>Liquid:</b> Maximum liquid temperature: 40 °C Density: 998.2 kg/m<sup>3</sup></p> <p data-bbox="320 1612 791 1695"><b>Technical:</b> Type of impeller: VORTEX Maximum particle size: 35 mm</p> <p data-bbox="320 1729 887 1933"><b>Materials:</b> Pump housing: Stainless steel DIN W.-Nr. 1.4301 AISI 304 Impeller: Stainless steel DIN W.-Nr. 1.4301 AISI 304</p> <p data-bbox="320 1966 727 2085"><b>Installation:</b> Pump outlet: R 2" Maximum installation depth: 2 m Auto-coupling: Y</p>

Position	Qty.	Description
		<p><b>Electrical data:</b></p> <p>Type of motor: PSC</p> <p>Power input - P1: 1 kW</p> <p>Mains frequency: 50 Hz</p> <p>Rated voltage: 1 x 230 V</p> <p>Rated current: 4.6 A</p> <p>Cos phi - power factor: 0.98</p> <p>Rated speed: 2810 rpm</p> <p>Capacitor size - run: 16 µF/400 V</p> <p>Enclosure class (IEC 34-5): IP68</p> <p>Insulation class (IEC 85): F</p> <p>Length of cable: 5 m</p> <p>Type of cable plug: SCHUKO</p> <p><b>Others:</b></p> <p>Net weight: 9.5 kg</p> <p>Gross weight: 10.5 kg</p> <p>Danish VVS No.: 391270312</p> <p>Swedish RSK No.: 5885932</p> <p>Finnish: LVI NO 4822556</p> <p>Norwegian NRF no.: 9045601</p>

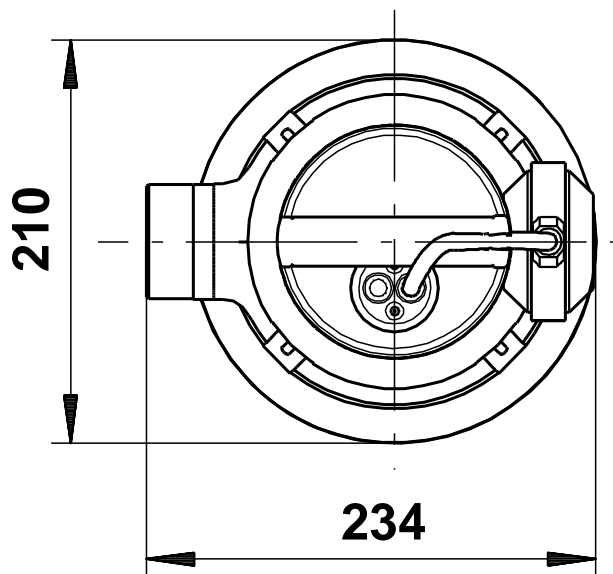
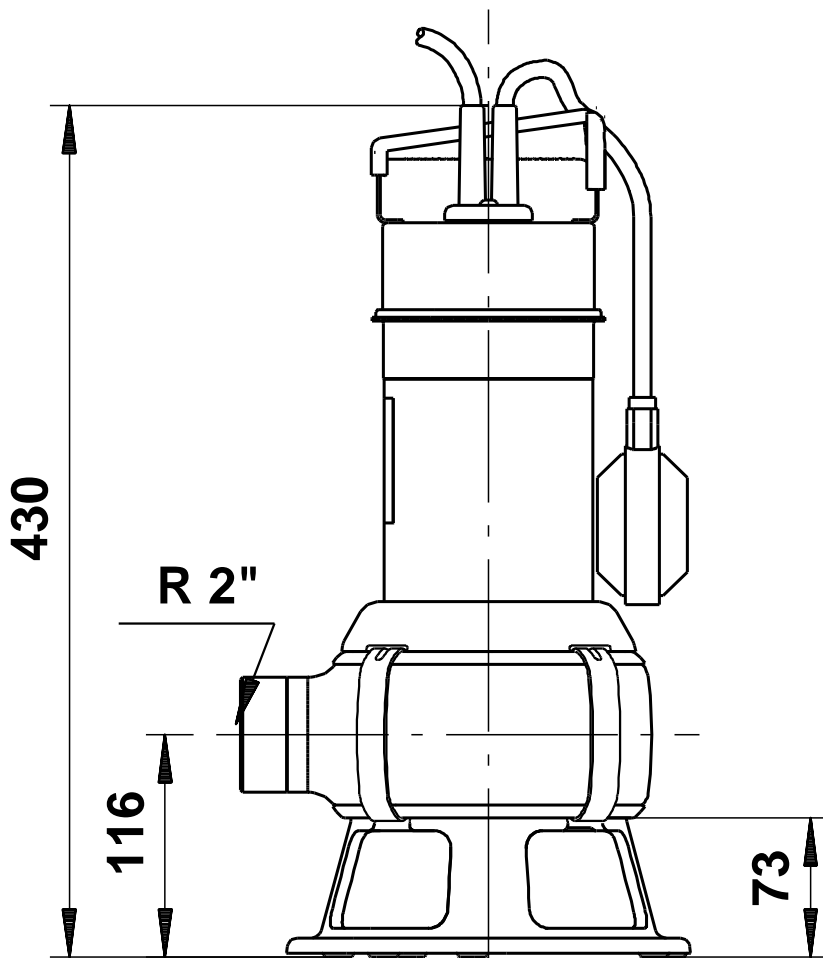
# On request Unilift AP35B.50.06.A1.V 50 Hz



Description	Value
<b>General information:</b>	
Product name:	Unilift AP35B.50.06.A1.V
Product No:	On request
EAN number:	On request
<b>Technical:</b>	
Max flow:	5 l/s
Head max:	11 m
Type of impeller:	VORTEX
Maximum particle size:	35 mm
<b>Materials:</b>	
Pump housing:	Stainless steel DIN W.-Nr. 1.4301 AISI 304
Impeller:	Stainless steel DIN W.-Nr. 1.4301 AISI 304
<b>Installation:</b>	
Pump outlet:	R 2"
Maximum installation depth:	2 m
Inst dry/wet:	S
Installation:	horizontal or vertical
Auto-coupling:	Y
<b>Liquid:</b>	
Maximum liquid temperature:	40 °C
Density:	998.2 kg/m <sup>3</sup>
<b>Electrical data:</b>	
Type of motor:	PSC
Power input - P1:	1 kW
P2:	0.66 kW
Mains frequency:	50 Hz
Rated voltage:	1 x 230 V
Rated current:	4.6 A
Cos phi - power factor:	0.98
Rated speed:	2810 rpm
Capacitor size - run:	16 µF/400 V
Enclosure class (IEC 34-5):	IP68
Insulation class (IEC 85):	F
Motor protec:	CONTACT
Thermal protec:	internal
Length of cable:	5 m
Type of cable plug:	SCHUKO
<b>Controls:</b>	
Level switch:	float switch
<b>Others:</b>	
Net weight:	9.5 kg
Gross weight:	10.5 kg
Danish VVS No.:	391270312
Swedish RSK No.:	5885932
Finnish:	LVI NO 4822556
Norwegian NRF no.:	9045601

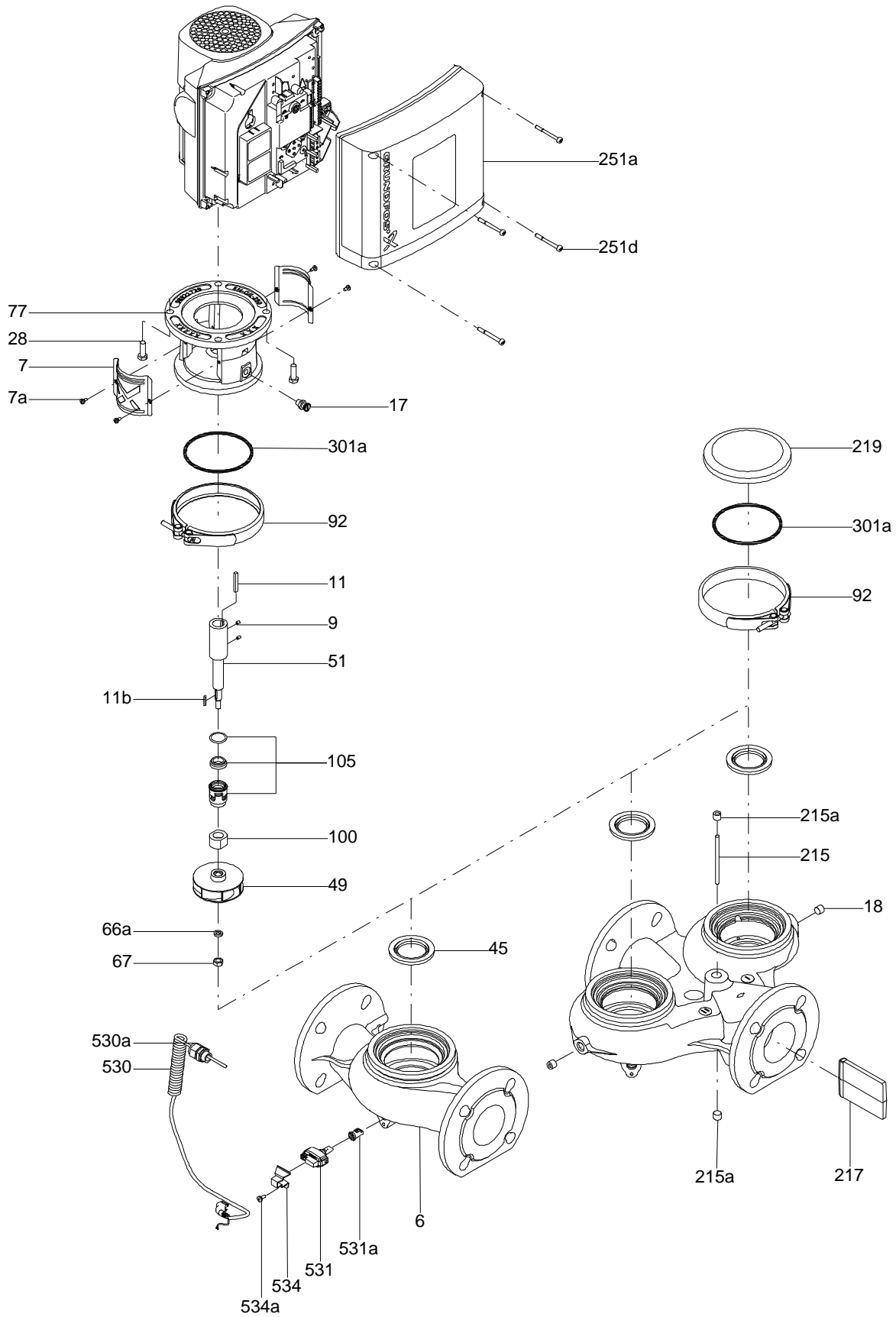


**On request Unilift AP35B.50.06.A1.V 50 Hz**



Note! All units are in [mm] unless others are stated.  
Disclaimer: This simplified dimensional drawing does not show all details.

Exploded view



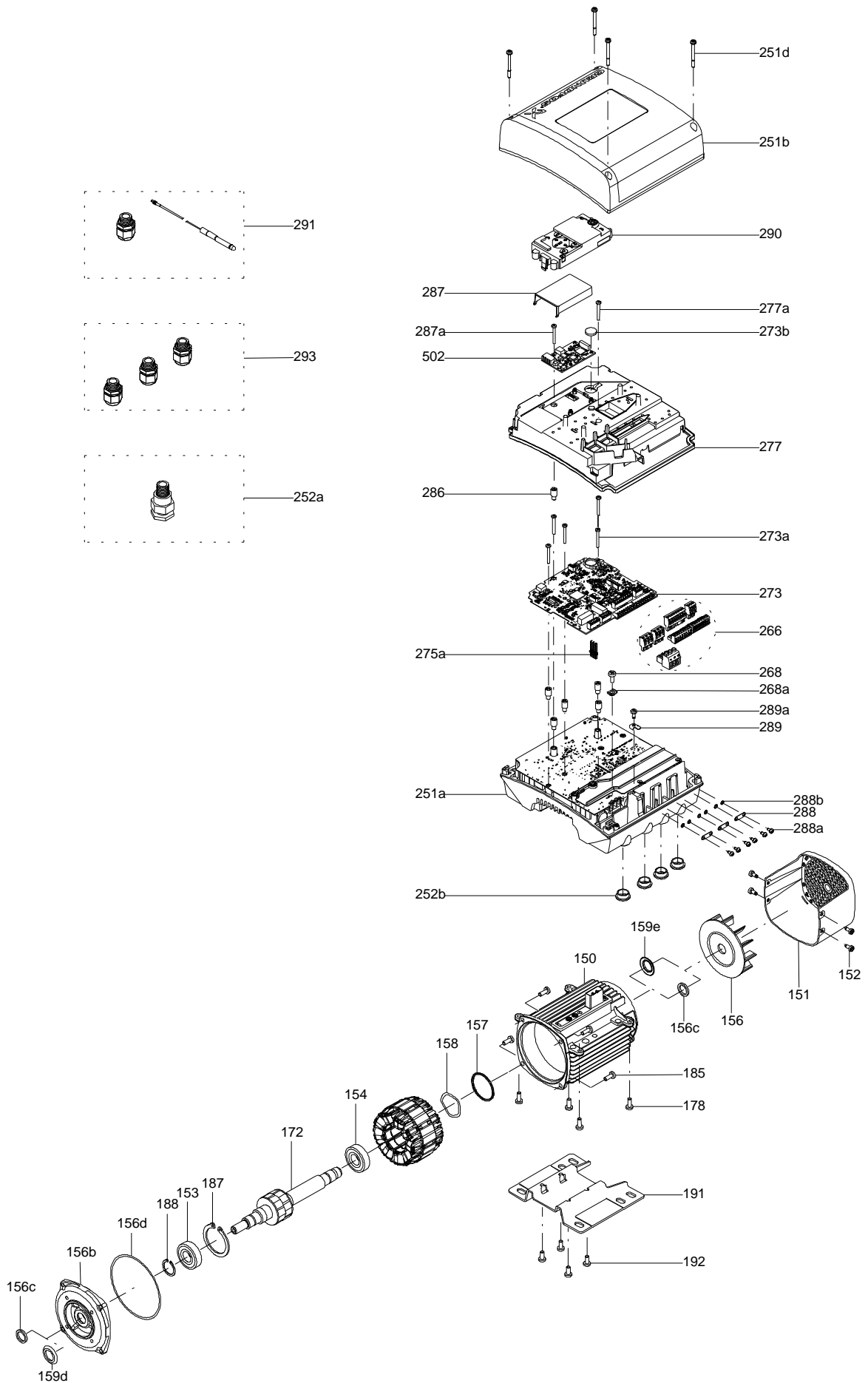
Sectional drawing (TM058200 for TPE2,TPE3)



TM058200



Exploded view ( TM057026 for MGE model H/I )



**Parts list Unilift AP35B.50.06.A1.V, Product No. On request**  
**Valid from 1.6.2006 (0622)**

Pos	Description	Annotation	Données de classification	Référence	Quantité	Unité
-	Pump w/o cable				1	pcs
-	Screw w/O-ring				2	
193	Pan washer head screw				1	
194	O-ring		Diameter: 4,9		1	
			Material type: NBR70			
			Thickness: 1,9			
6	Pump housing				1	
26	Flat spring				4	
37	O-ring		Diameter: 144		1	
			Material type: NBR			
			Thickness: 3,5			
37a	O-ring		Diameter: 144		1	
			Material type: NBR			
			Thickness: 3,5			
+ 49	Impeller				1	
50	Pump housing				1	
66	Spring lock washer		Designation: DIN 127 B		1	
67	Nut				1	
84	Base				1	
105a	Shaft seal		Material type: BQQP		1	
150	Motor unit				1	
189	Handle				1	
190	Handle				1	
193a	Oil				0	
970	Nameplate				1	
185	Cable cpl.				1	pcs

*Disclaimer: The information about the Grundfos pump in this document may be outdated.*

*Data may be subject to alterations without further notice.*

*Please contact us to verify the data above is still accurate/up-to-date.*

All information is copyright Grundfos.



[info@lenntech.com](mailto:info@lenntech.com)

<https://www.lenntech.com>

tel. +31 152 610 900

fax. +31 152 616 289