

UPS32-100 N 180 1x230V 50Hz 9H Grundfos pump 95906489




Thank you for your interest in our products. Please contact us for more information, or visit our website

<https://www.lenntech.com/grundfos/UPSB1/95906489/UPS-32-100-N-180.html>

info@lenntech.com

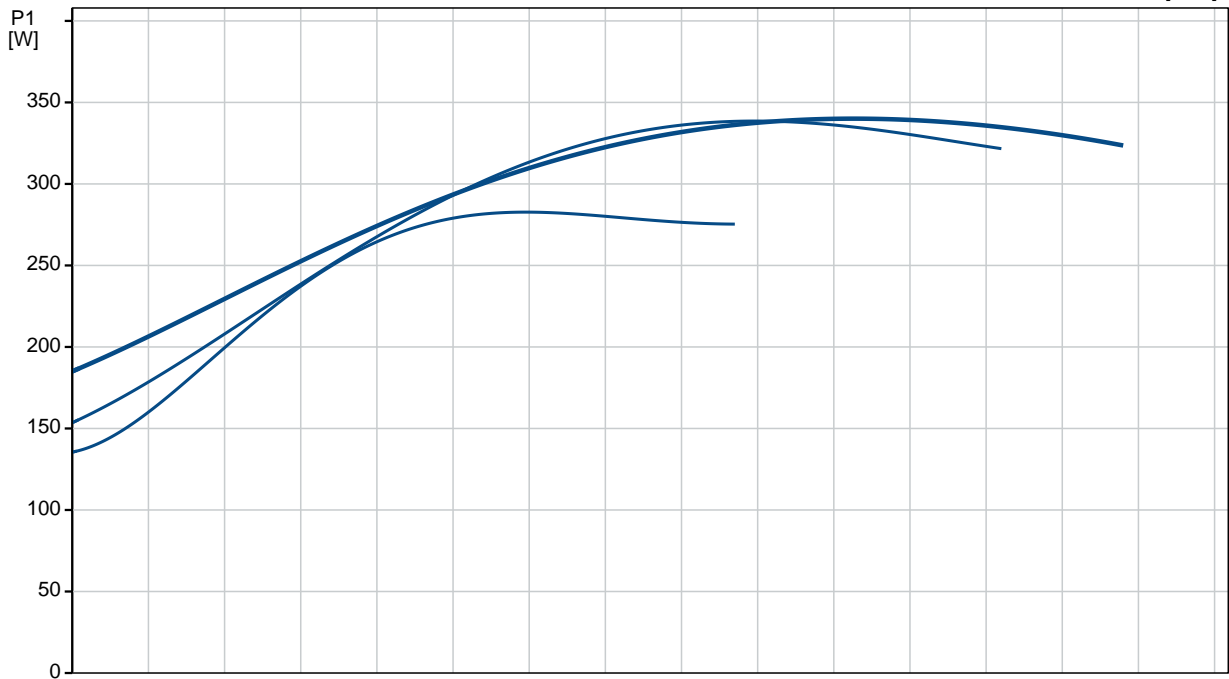
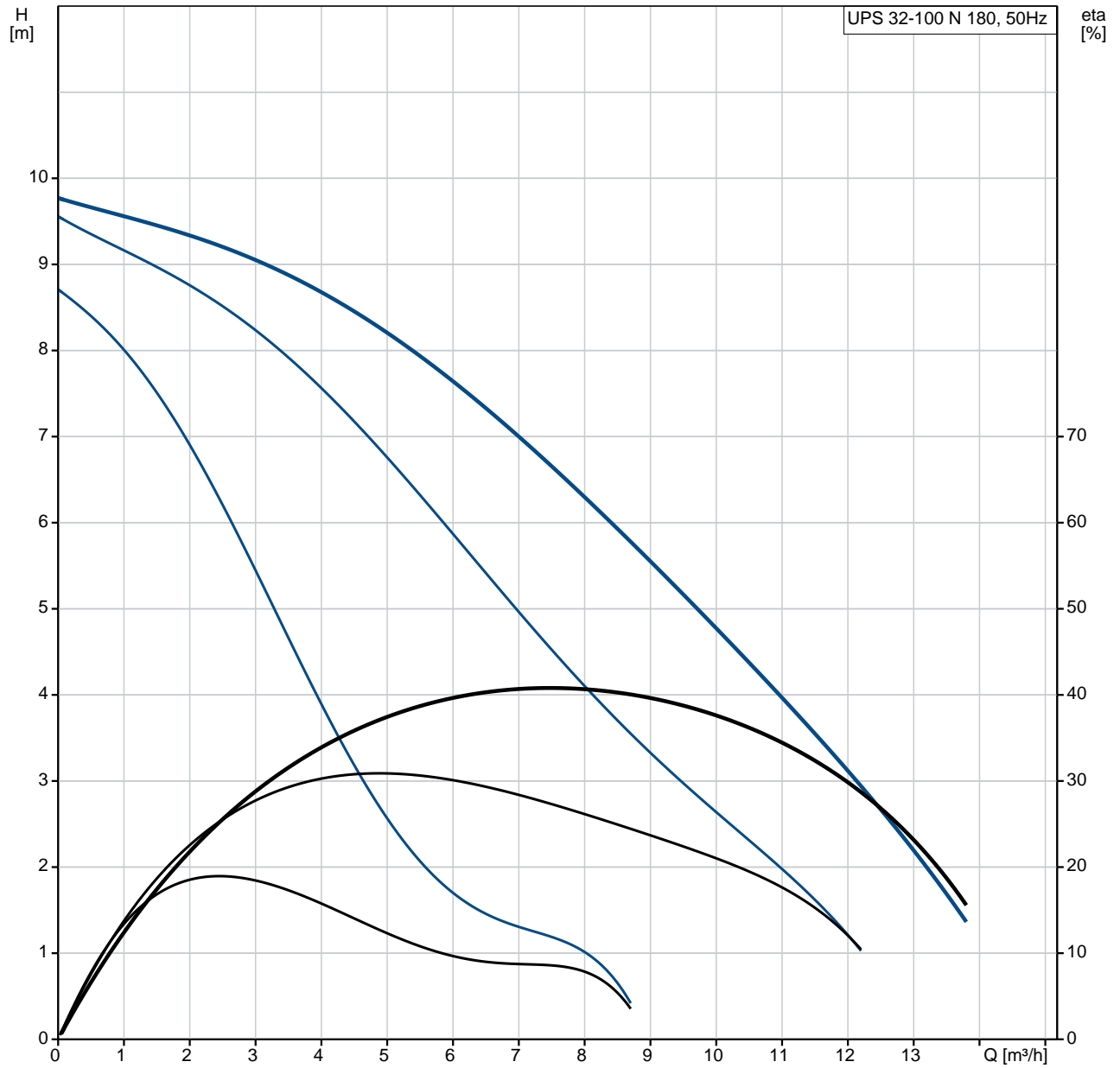
tel. +31 152 610 900

fax. +31 152 616 289

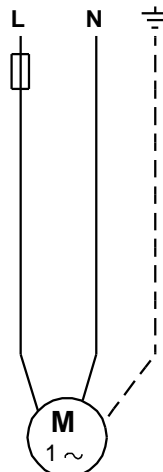
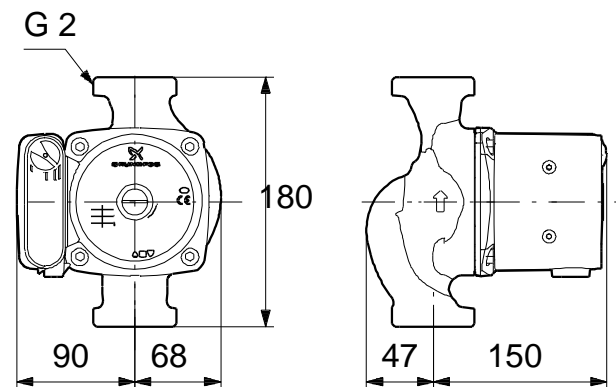
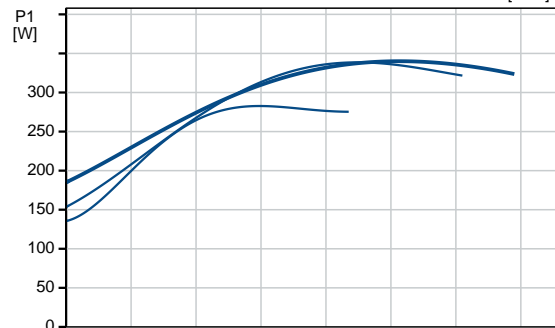
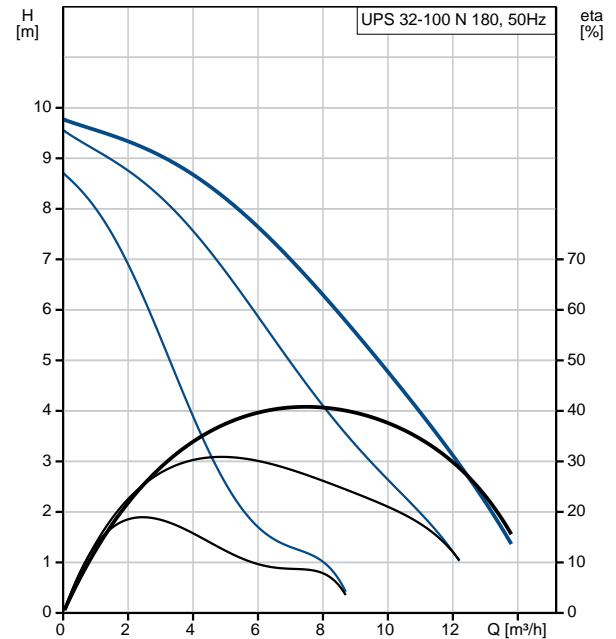
Position	Qty.	Description
	1	<p data-bbox="322 163 529 194">UPS 32-100 N 180</p>  <p data-bbox="711 595 1193 622" style="text-align: center;">Note! Product picture may differ from actual product</p> <p data-bbox="322 629 852 835"> Product No.: On request The pump is of the canned rotor type, i.e. pump and motor form an integral unit without shaft seal and with only two gaskets for sealing. The bearings are lubricated by the pumped liquid. The pump has 3-step speed selector. The pump is characterized by: </p> <ul data-bbox="357 837 943 1010" style="list-style-type: none"> * Stainless steel shaft. * Ceramic radial bearing system. * Carbon axial bearing. * Stainless steel rotor can and bearing plate. * Corrosion-resistant impeller, Composite, PES/PP. * Stainless steel pump housing. <p data-bbox="322 1043 783 1099"> The motor is a 1-phase motor. No additional motor protection is required. </p> <p data-bbox="322 1133 826 1279"> Liquid: Pumped liquid: Water Liquid temperature range: -25 .. 110 °C Liquid temperature during operation: 60 °C Density: 983.2 kg/m³ </p> <p data-bbox="322 1312 719 1402"> Technical: TF class: 95 Approvals on nameplate: CE </p> <p data-bbox="322 1435 906 1581"> Materials: Pump housing: Stainless steel DIN W.-Nr. 1.4301 AISI 304 Impeller: Composite, PES/PP </p> <p data-bbox="322 1615 775 1783"> Installation: Amb. max at 80 dgr C liquid: 40 °C Maximum operating pressure: 10 bar Pipe connection: G 2 Pressure rating: PN 10 (@): 180 mm </p> <p data-bbox="322 1816 791 2107"> Electrical data: Power input in speed 1: 280 W Power input in speed 2: 340 W Max. power input: 345 W Mains frequency: 50 Hz Rated voltage: 1 x 230 V Current in speed 1: 1.3 A Current in speed 2: 1.5 A Current in speed 3: 1.52 A Capacitor size - run: 9.5 µF </p>

Position	Qty.	Description
		<p>Enclosure class (IEC 34-5): X4D Insulation class (IEC 85): H</p> <p>Others: Net weight: 6.4 kg Gross weight: 6.9 kg Shipping volume: 0.012 m³ Danish VVS No.: 380646100 Finnish: LVI NO 4615615</p>

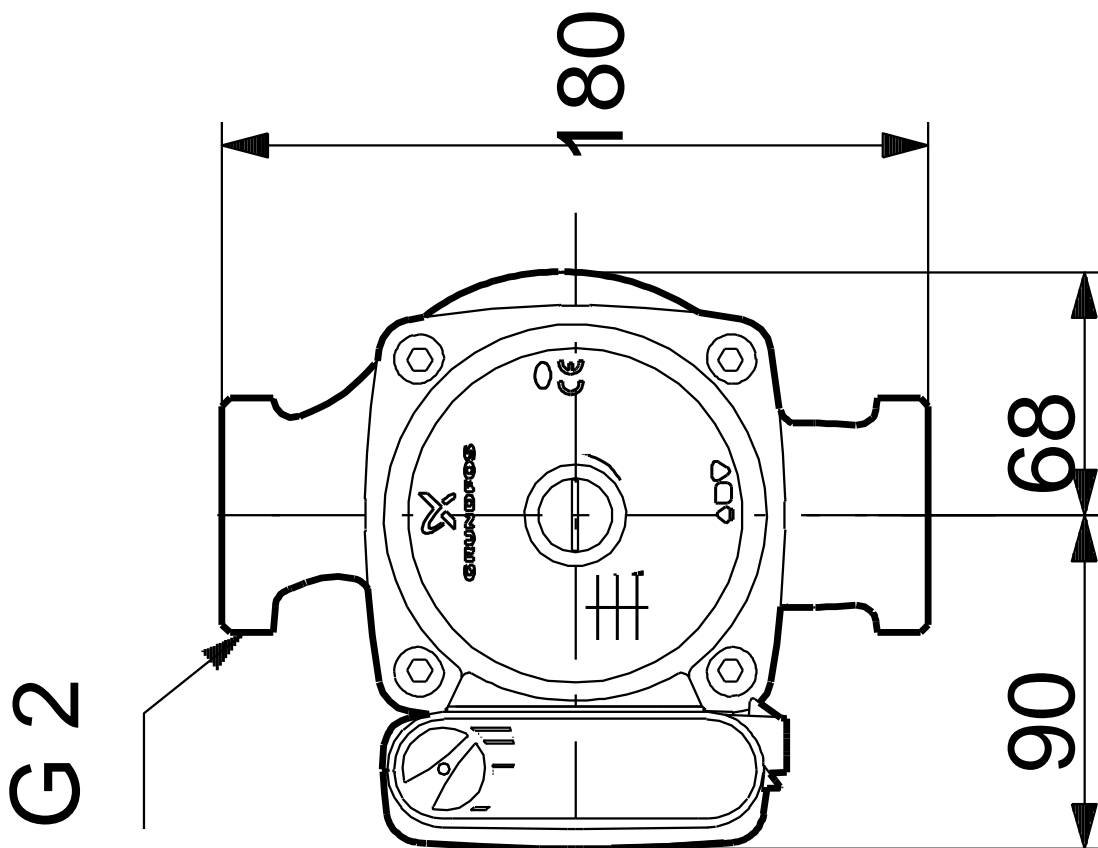
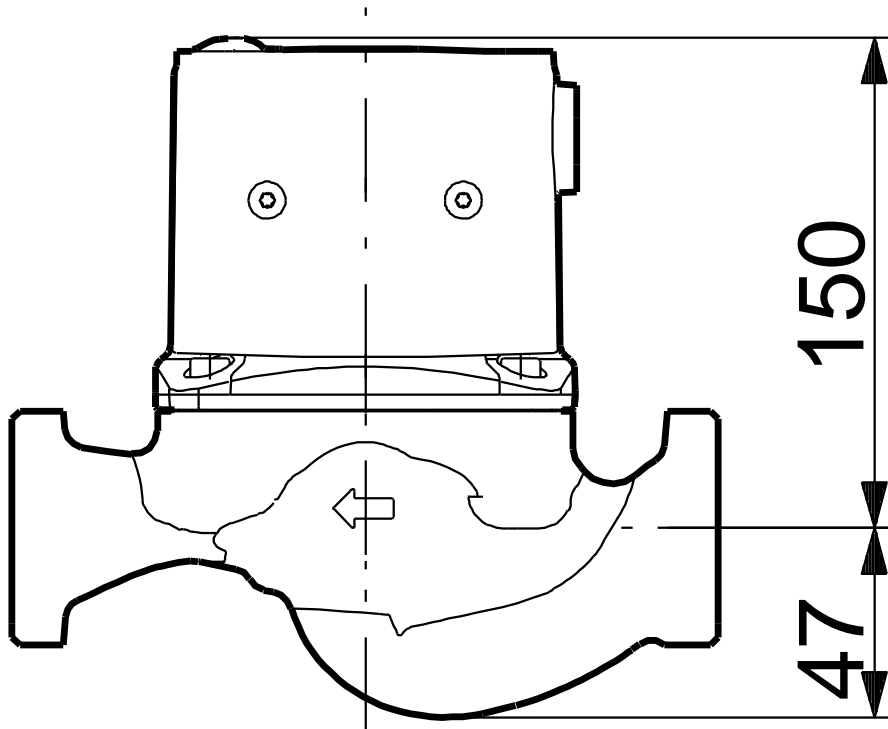
On request UPS 32-100 N 180 50 Hz



Description	Value
General information:	
Product name:	UPS 32-100 N 180
Product No:	On request
EAN number:	On request
Technical:	
Speed no:	3
Head max:	100 dm
TF class:	95
Approvals on nameplate:	CE
Materials:	
Pump housing:	Stainless steel
	DIN W.-Nr. 1.4301
	AISI 304
Impeller:	Composite, PES/PP
Installation:	
Amb. max at 80 dgr C liquid:	40 °C
Maximum operating pressure:	10 bar
Pipe connection:	G 2
Pressure rating:	PN 10
(@)	180 mm
Liquid:	
Pumped liquid:	Water
Liquid temperature range:	-25 .. 110 °C
Liquid temperature during operation:	60 °C
Density:	983.2 kg/m ³
Electrical data:	
Power input in speed 1:	280 W
Power input in speed 2:	340 W
Max. power input:	345 W
Mains frequency:	50 Hz
Rated voltage:	1 x 230 V
Current in speed 1:	1.3 A
Current in speed 2:	1.5 A
Current in speed 3:	1.52 A
Capacitor size - run:	9.5 µF
Enclosure class (IEC 34-5):	X4D
Insulation class (IEC 85):	H
Motor protec:	CONTACT
Thermal protec:	internal
Controls:	
Pos term box:	9H
Others:	
Net weight:	6.4 kg
Gross weight:	6.9 kg
Shipping volume:	0.012 m ³
Danish VVS No.:	380646100
Finnish:	LVI NO 4615615

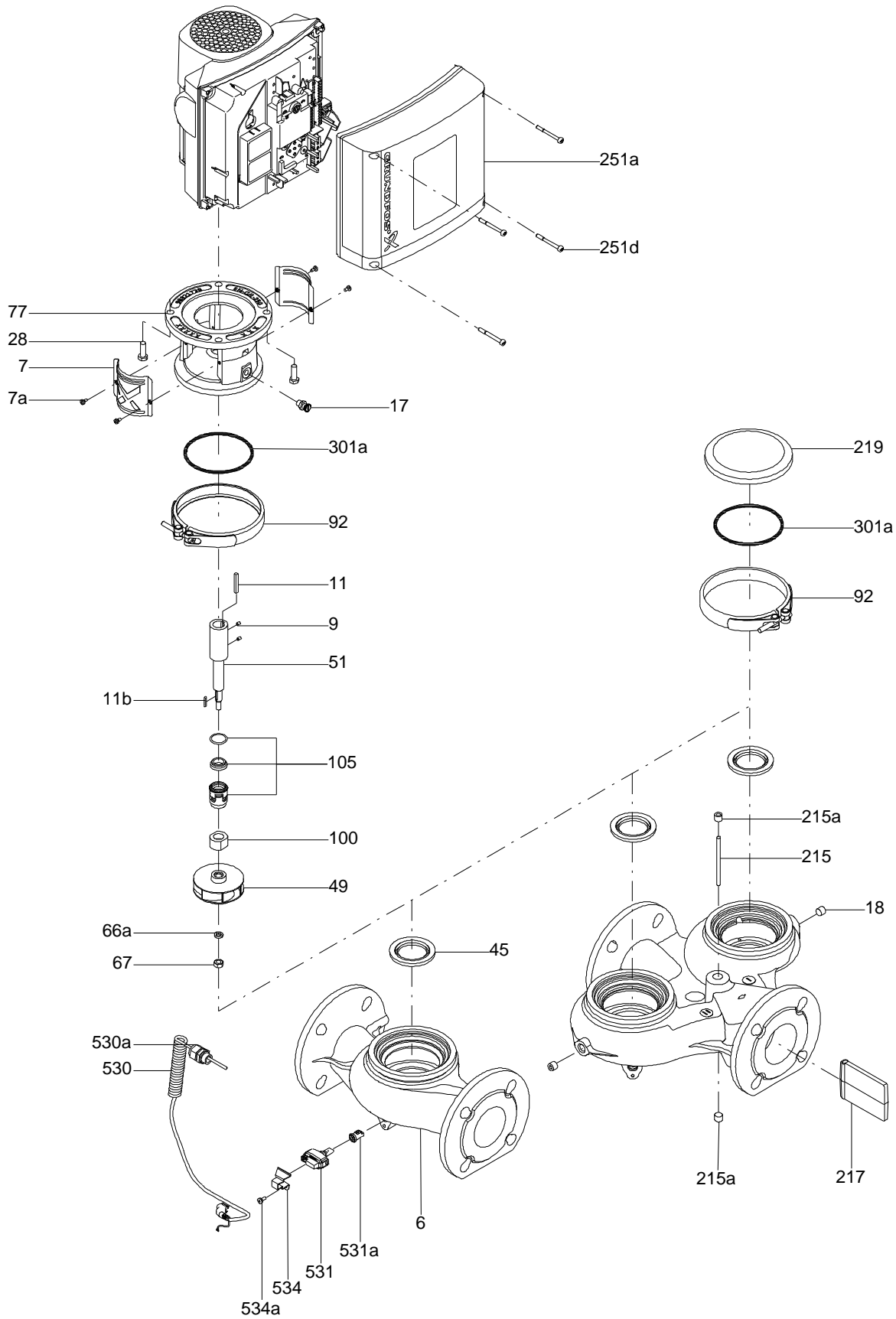


On request UPS 32-100 N 180 50 Hz

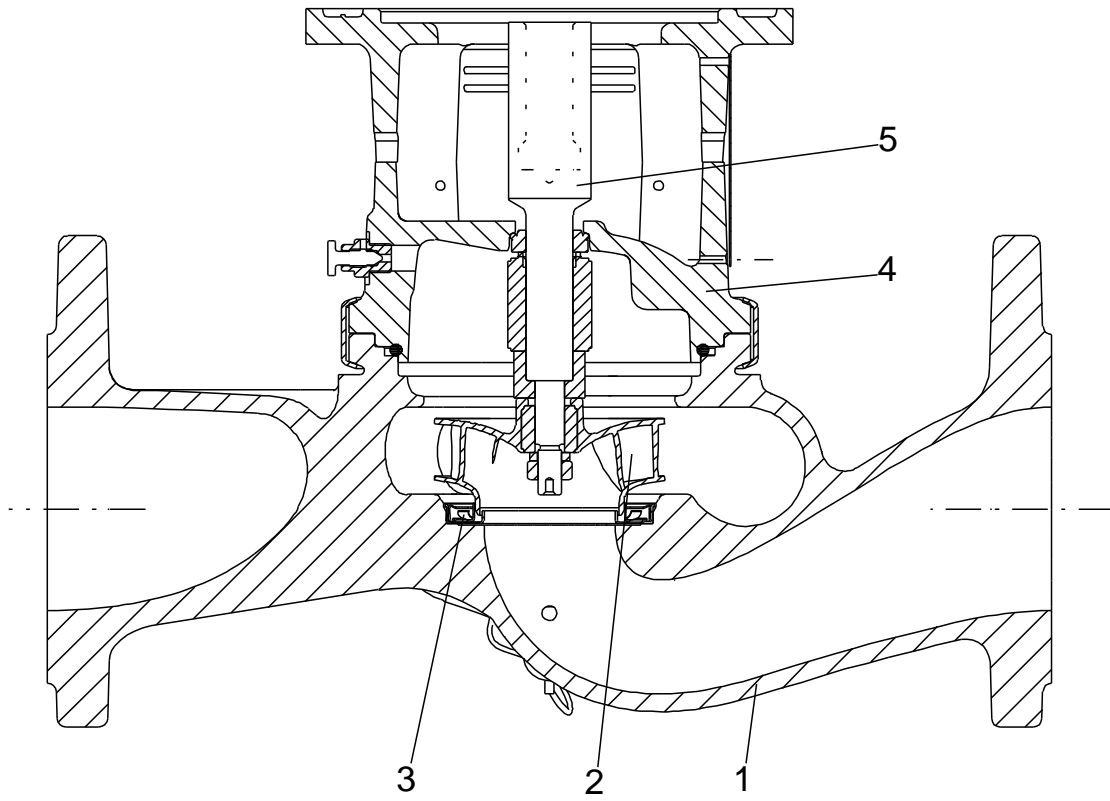


Note! All units are in [mm] unless others are stated.
Disclaimer: This simplified dimensional drawing does not show all details.

Exploded view

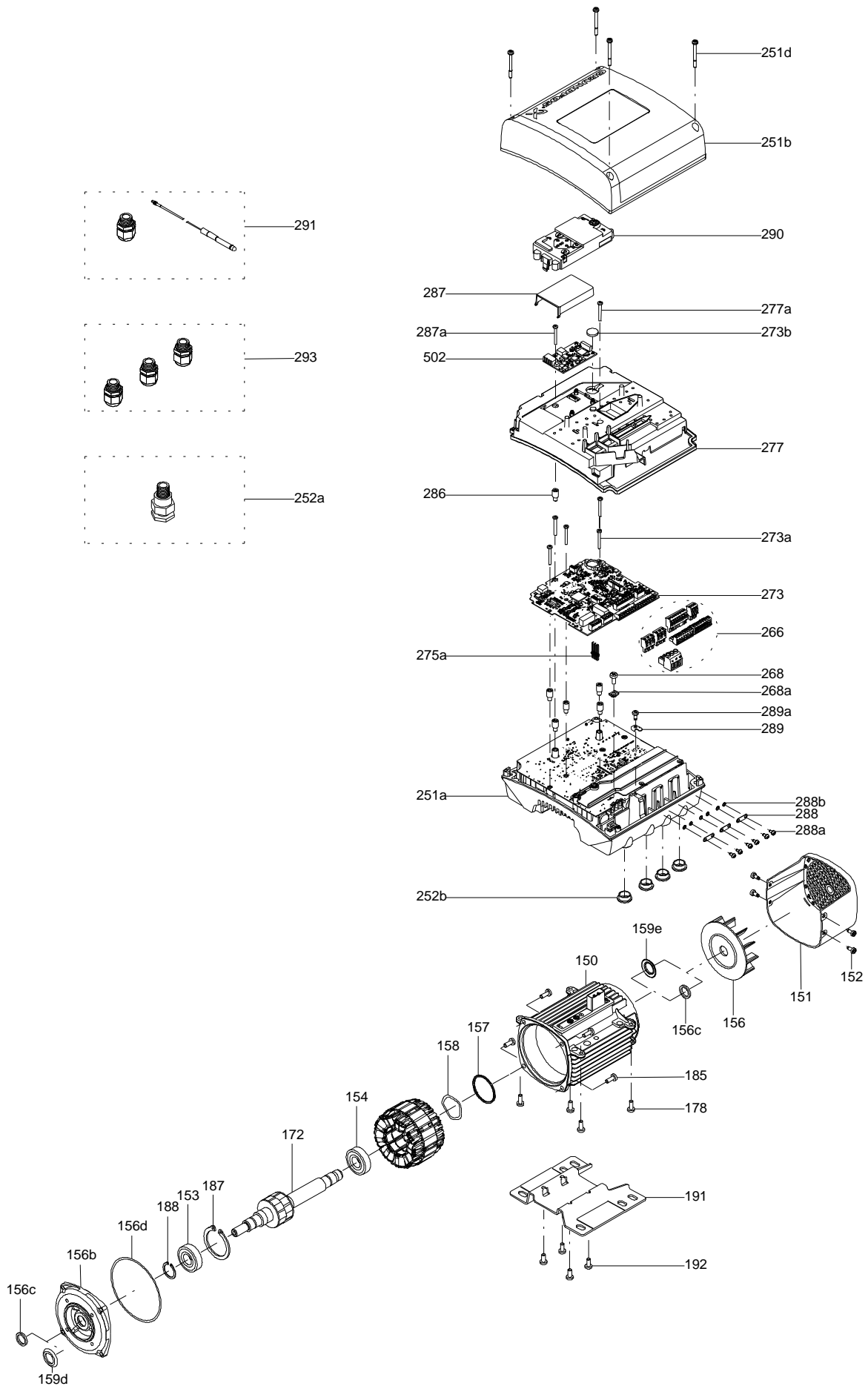


Sectional drawing (TM058200 for TPE2,TPE3)



TM058200

Exploded view (TM057026 for MGE model H/I)



Disclaimer: The information about the Grundfos pump in this document may be outdated.

Data may be subject to alterations without further notice.

Please contact us to verify the data above is still accurate/up-to-date.

All information is copyright Grundfos.



info@lenntech.com

<https://www.lenntech.com>

tel. +31 152 610 900

fax. +31 152 616 289