

UP20-07 N 150 1x230V 50Hz 9H Grundfos pump 59640506




Thank you for your interest in our products. Please contact us for more information, or visit our website

<https://www.lenntech.com/grundfos/UPSB1/59640506/UP-20-07-N-150.html>

info@lenntech.com

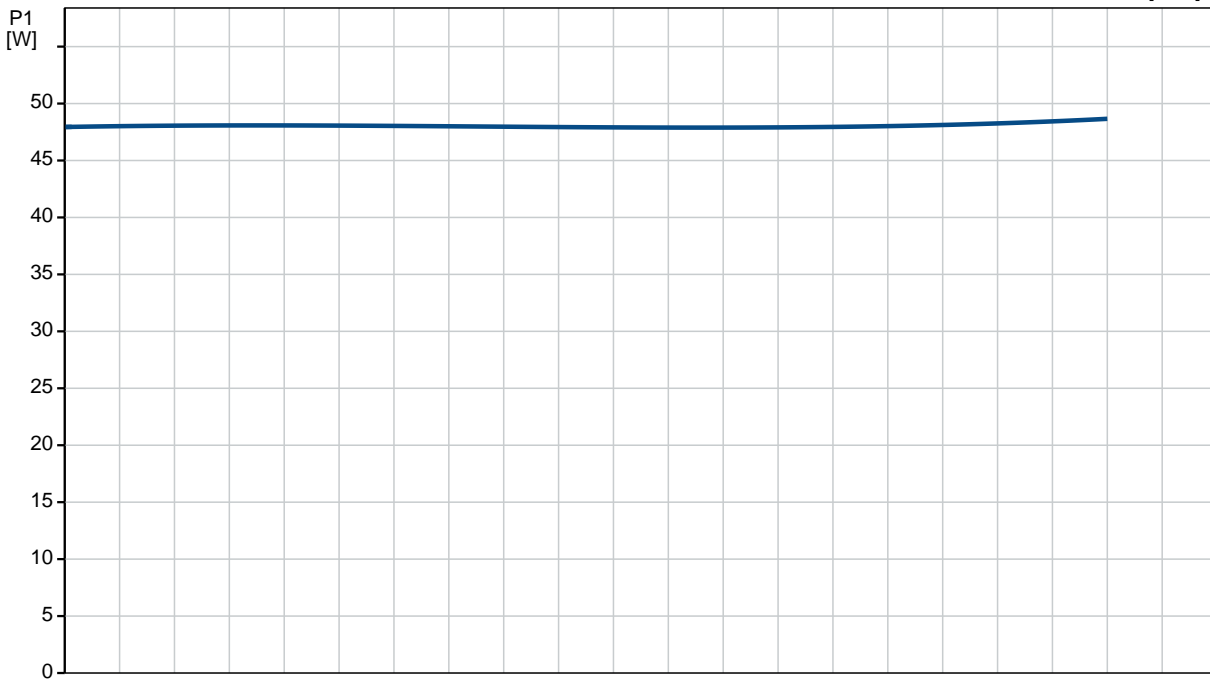
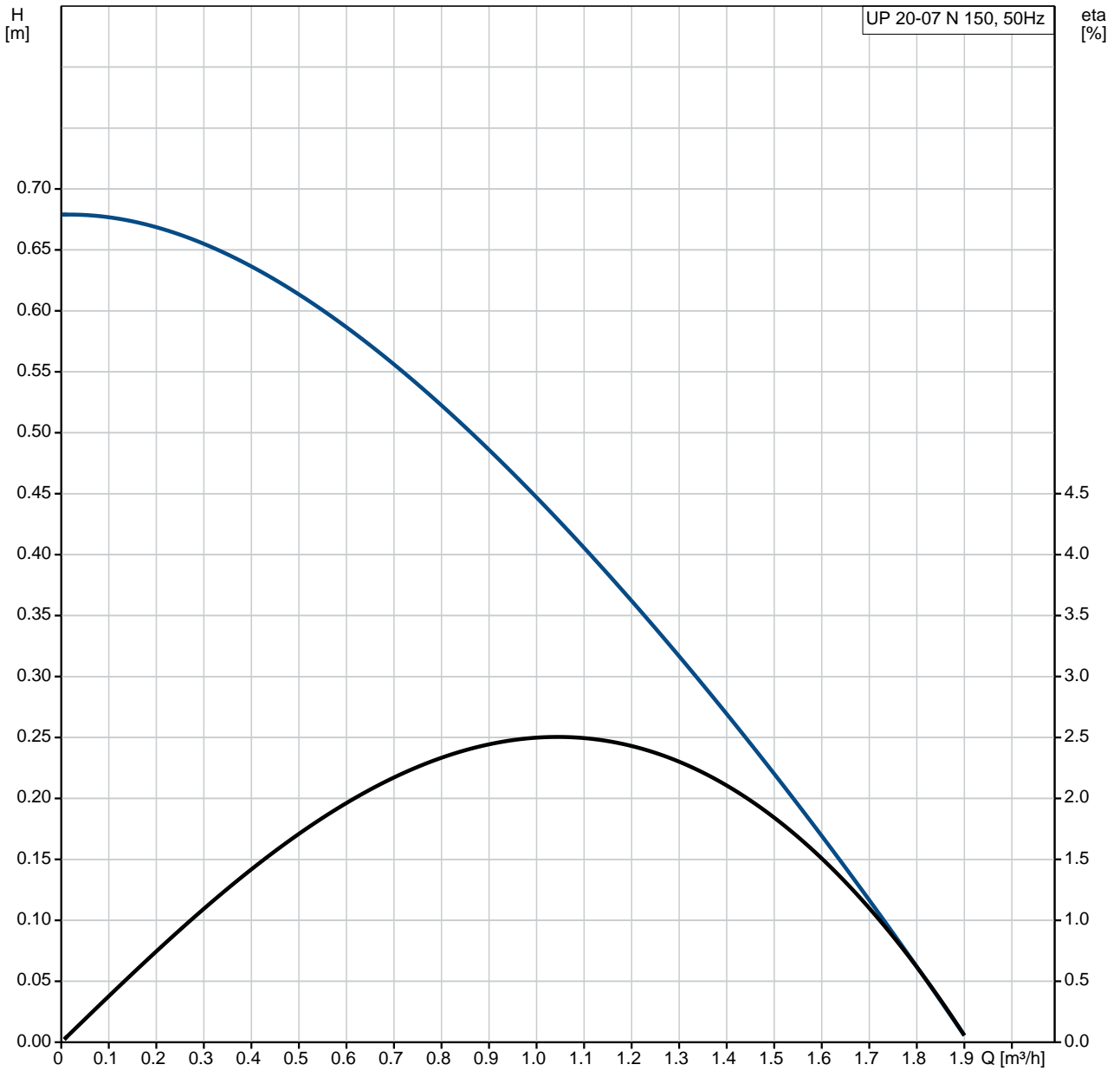
tel. +31 152 610 900

fax. +31 152 616 289

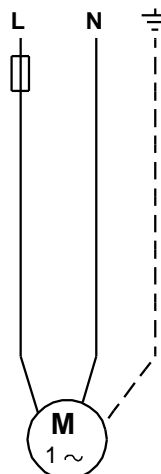
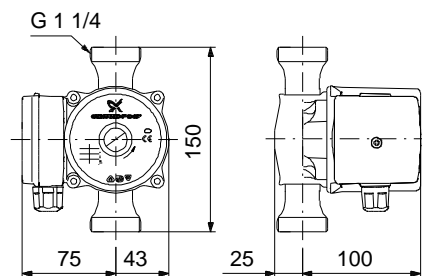
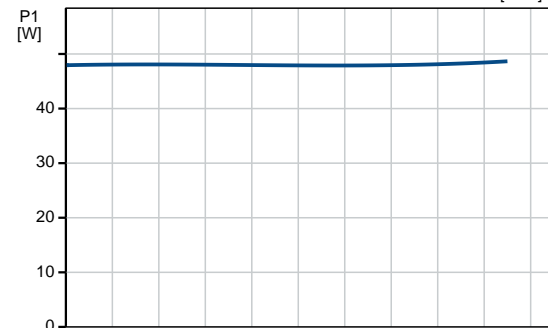
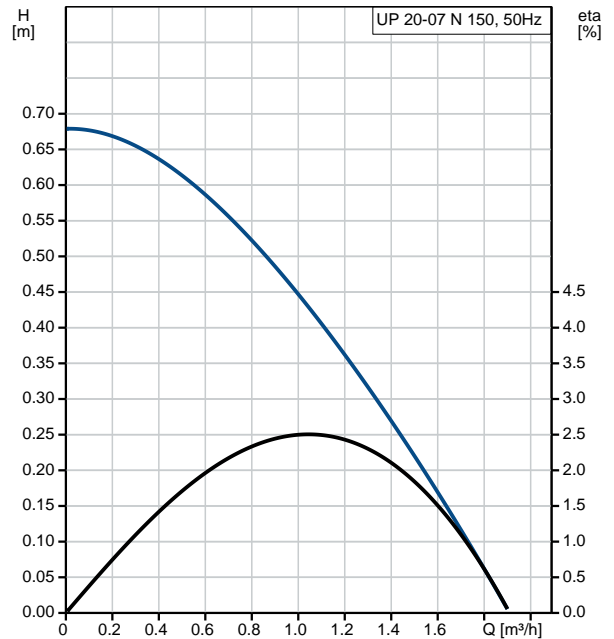
Position	Qty.	Description
	1	<p data-bbox="322 163 502 194">UP 20-07 N 150</p>  <p data-bbox="710 593 1197 622" style="text-align: center;">Note! Product picture may differ from actual product</p> <p data-bbox="322 627 598 656">Product No.: On request</p> <p data-bbox="322 658 842 741">The pump is of the canned rotor type, i.e. pump and motor form an integral unit without shaft seal and with only two gaskets for sealing.</p> <p data-bbox="322 743 850 772">The bearings are lubricated by the pumped liquid.</p> <p data-bbox="322 775 654 804">The pump is characterized by:</p> <ul data-bbox="359 806 941 952" style="list-style-type: none"> * Ceramic shaft and radial bearings. * Carbon axial bearing. * Stainless steel rotor can and bearing plate. * Corrosion-resistant impeller, Composite, PES/PP. * Stainless steel pump housing. <p data-bbox="322 981 654 1010">The motor is a 1-phase motor.</p> <p data-bbox="322 1012 782 1041">No additional motor protection is required.</p> <p data-bbox="322 1070 406 1099">Liquid:</p> <p data-bbox="322 1102 813 1220">Pumped liquid: Water Liquid temperature range: 2 .. 110 °C Liquid temperature during operation: 60 °C Density: 983.2 kg/m³</p> <p data-bbox="322 1249 443 1279">Technical:</p> <p data-bbox="322 1281 917 1339">TF class: 110 Approvals on nameplate: CE, VDE, EAC, WEEE</p> <p data-bbox="322 1368 438 1397">Materials:</p> <p data-bbox="322 1400 901 1482">Pump housing: Stainless steel DIN W.-Nr. 1.4301 AISI 304</p> <p data-bbox="322 1485 901 1514">Impeller: Composite, PES/PP</p> <p data-bbox="322 1545 462 1574">Installation:</p> <p data-bbox="322 1576 774 1724">Amb. max at 80 dgr C liquid: 80 °C Maximum operating pressure: 10 bar Pipe connection: G 1 1/4 Pressure rating: PN 10 (@): 150 mm</p> <p data-bbox="322 1753 502 1783">Electrical data:</p> <p data-bbox="322 1785 790 1993">Max. power input: 50 W Mains frequency: 50 Hz Rated voltage: 1 x 230 V Current in speed 3: 0.24 A Capacitor size - run: 4 µF Enclosure class (IEC 34-5): IP44 Insulation class (IEC 85): F</p> <p data-bbox="322 2022 406 2051">Others:</p> <p data-bbox="322 2054 758 2112">Net weight: 2.1 kg Gross weight: 2.3 kg</p>

Position	Qty.	Description
		Shipping volume: 0.004 m ³ Danish VVS No.: 380611000 Finnish: LVI NO 4615602 Norwegian NRF no.: 9042207

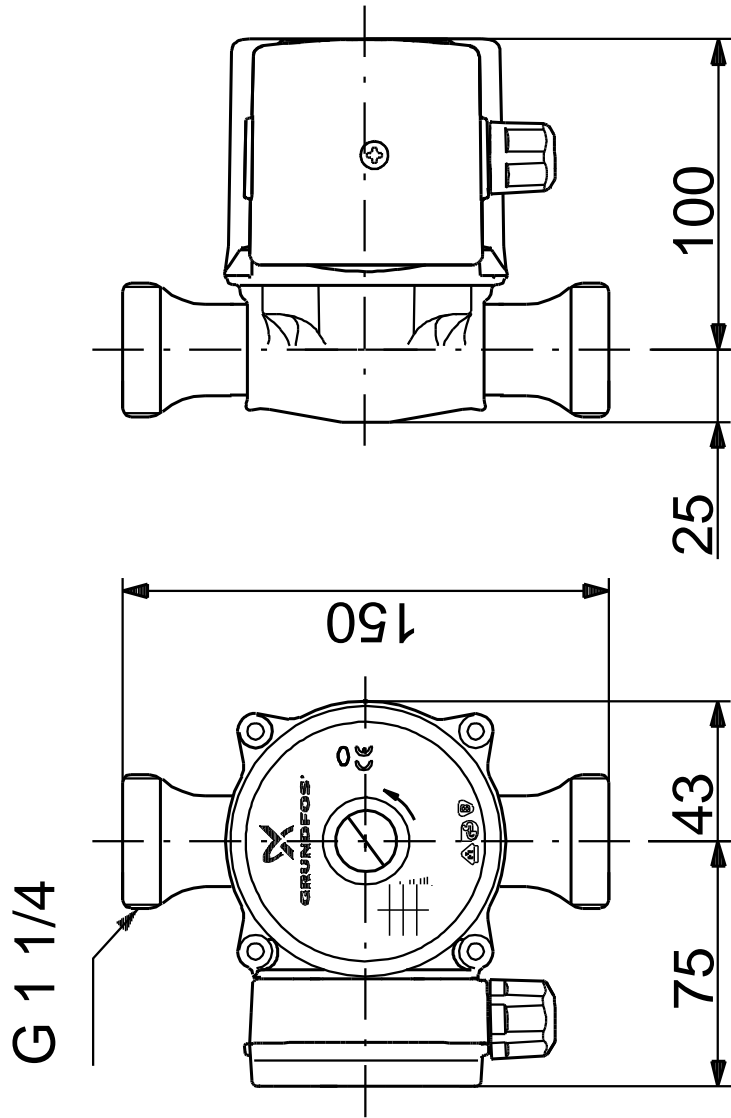
On request UP 20-07 N 150 50 Hz



Description	Value
General information:	
Product name:	UP 20-07 N 150
Product No:	On request
EAN number:	On request
Technical:	
Speed no:	1
Head max:	7 dm
TF class:	110
Approvals on nameplate:	CE,VDE,EAC,WEEE
Materials:	
Pump housing:	Stainless steel
	DIN W.-Nr. 1.4301
	AISI 304
Impeller:	Composite, PES/PP
Installation:	
Amb. max at 80 dgr C liquid:	80 °C
Maximum operating pressure:	10 bar
Pipe connection:	G 1 1/4
Pressure rating:	PN 10
(@)	150 mm
Liquid:	
Pumped liquid:	Water
Liquid temperature range:	2 .. 110 °C
Liquid temperature during operation:	60 °C
Density:	983.2 kg/m ³
Electrical data:	
Max. power input:	50 W
Mains frequency:	50 Hz
Rated voltage:	1 x 230 V
Current in speed 3:	0.24 A
Capacitor size - run:	4 µF
Enclosure class (IEC 34-5):	IP44
Insulation class (IEC 85):	F
Motor protec:	NONE
Thermal protec:	Impedance protected
Controls:	
Pos term box:	9H
Others:	
Net weight:	2.1 kg
Gross weight:	2.3 kg
Shipping volume:	0.004 m ³
Danish VVS No.:	380611000
Finnish:	LVI NO 4615602
Norwegian NRF no.:	9042207

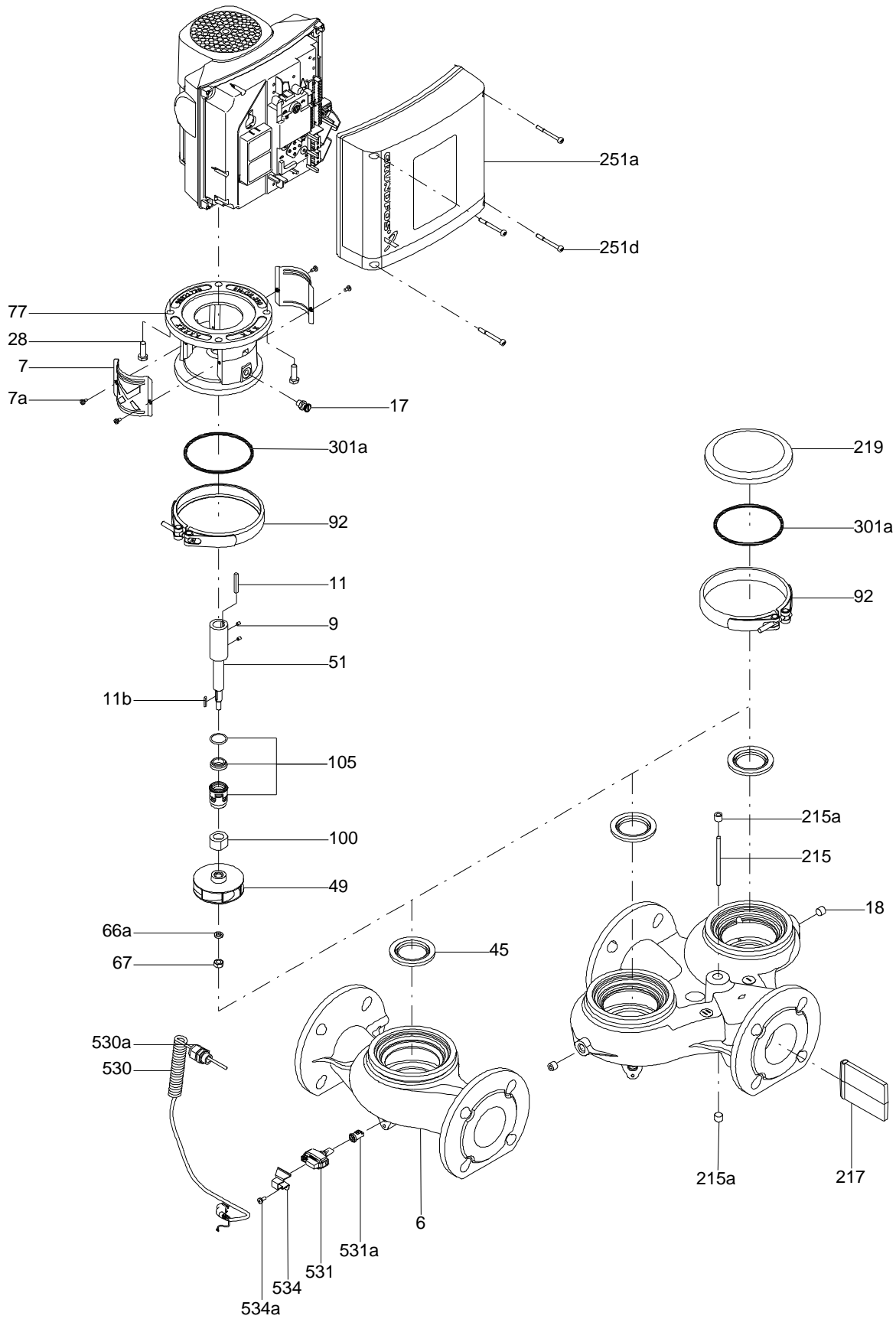


On request UP 20-07 N 150 50 Hz

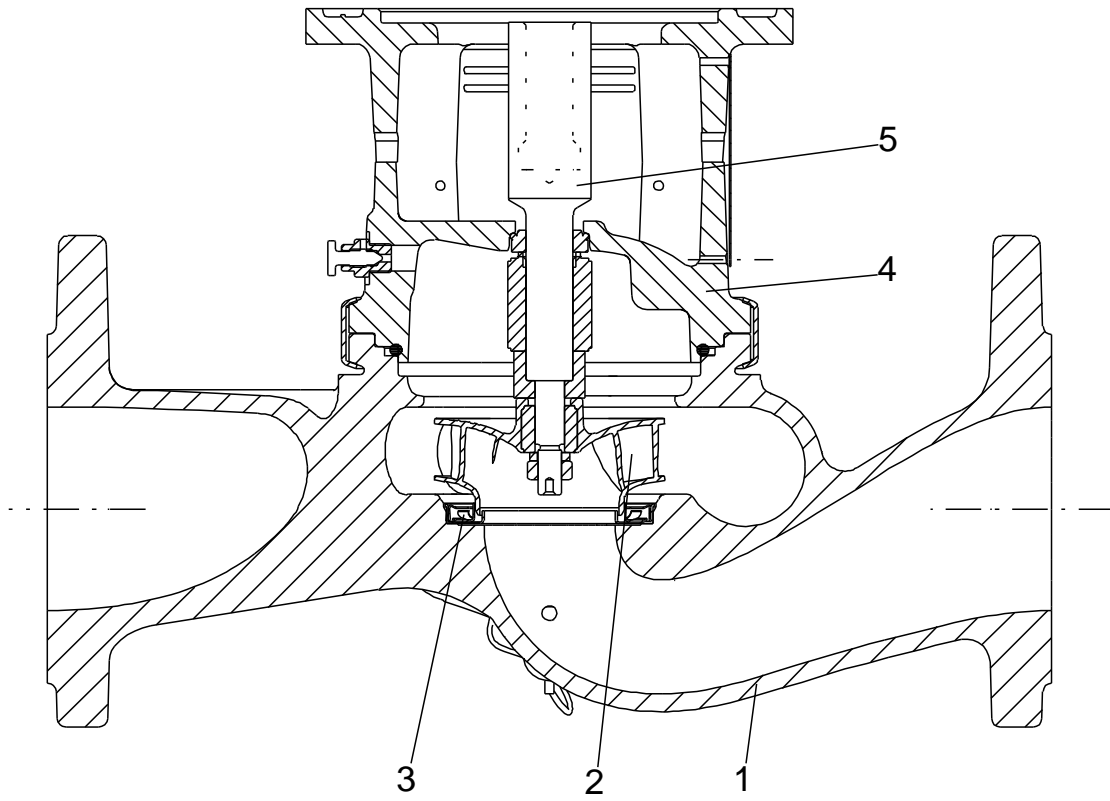


Note! All units are in [mm] unless others are stated.
Disclaimer: This simplified dimensional drawing does not show all details.

Exploded view

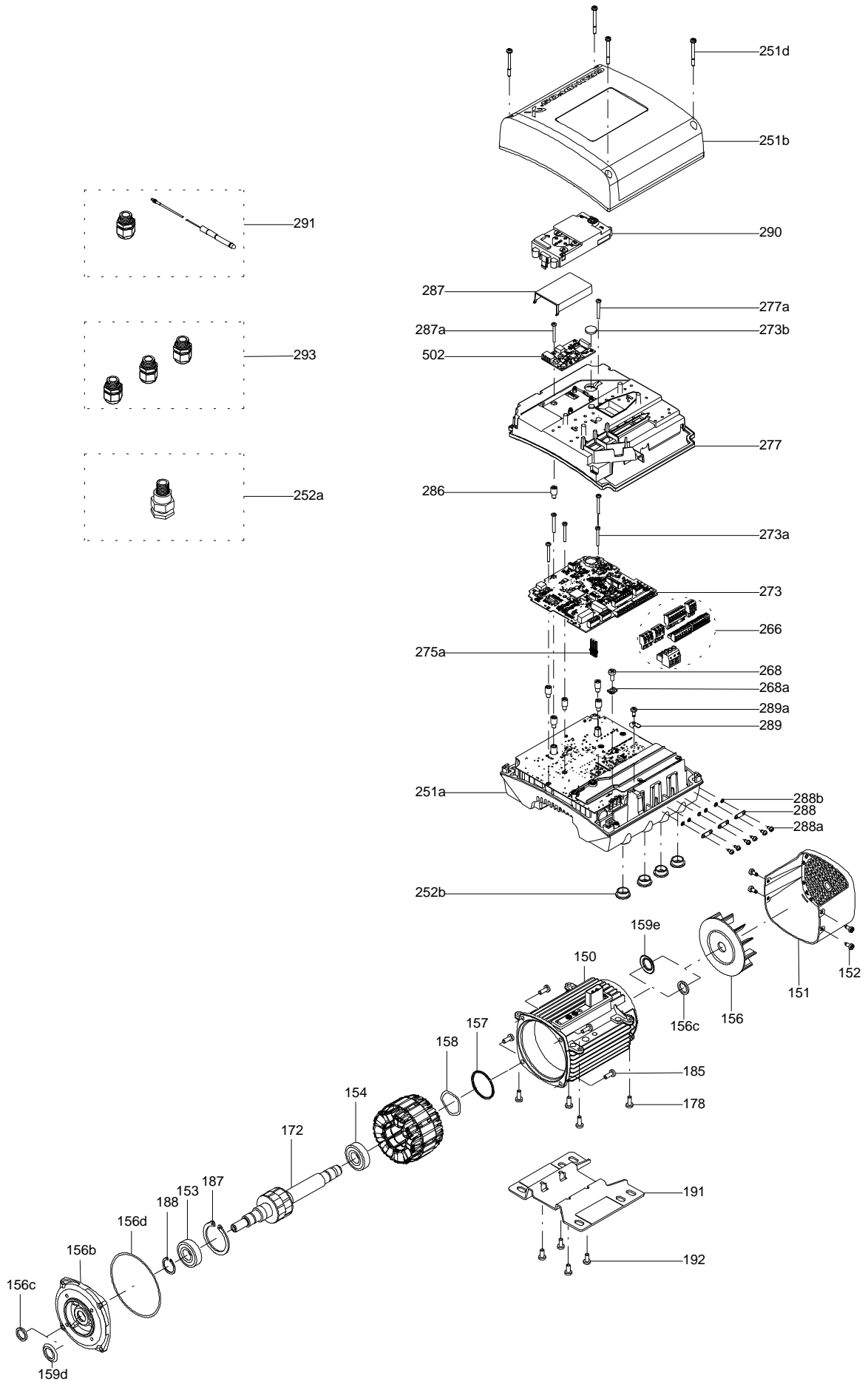


Sectional drawing (TM058200 for TPE2,TPE3)



TM058200

Exploded view (TM057026 for MGE model H/I)



Disclaimer: The information about the Grundfos pump in this document may be outdated.

Data may be subject to alterations without further notice.

Please contact us to verify the data above is still accurate/up-to-date.

All information is copyright Grundfos.



info@lenntech.com

<https://www.lenntech.com>

tel. +31 152 610 900

fax. +31 152 616 289