

## SP3A-22NE 2.2kW 1x220V 50Hz Grundfos pump 10222122




Thank you for your interest in our products. Please contact us for more information, or visit our website

<https://www.lenntech.com/grundfos/SPNE03/10222122/SP-3A-22NE.html>

[info@lenntech.com](mailto:info@lenntech.com)

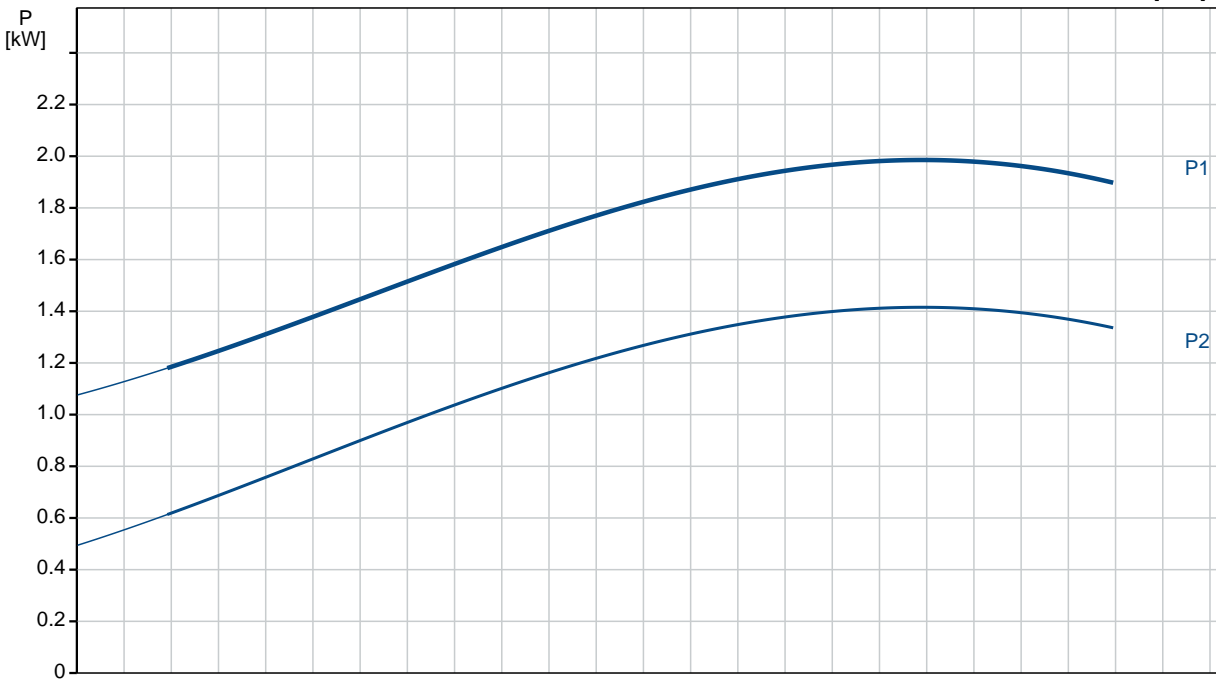
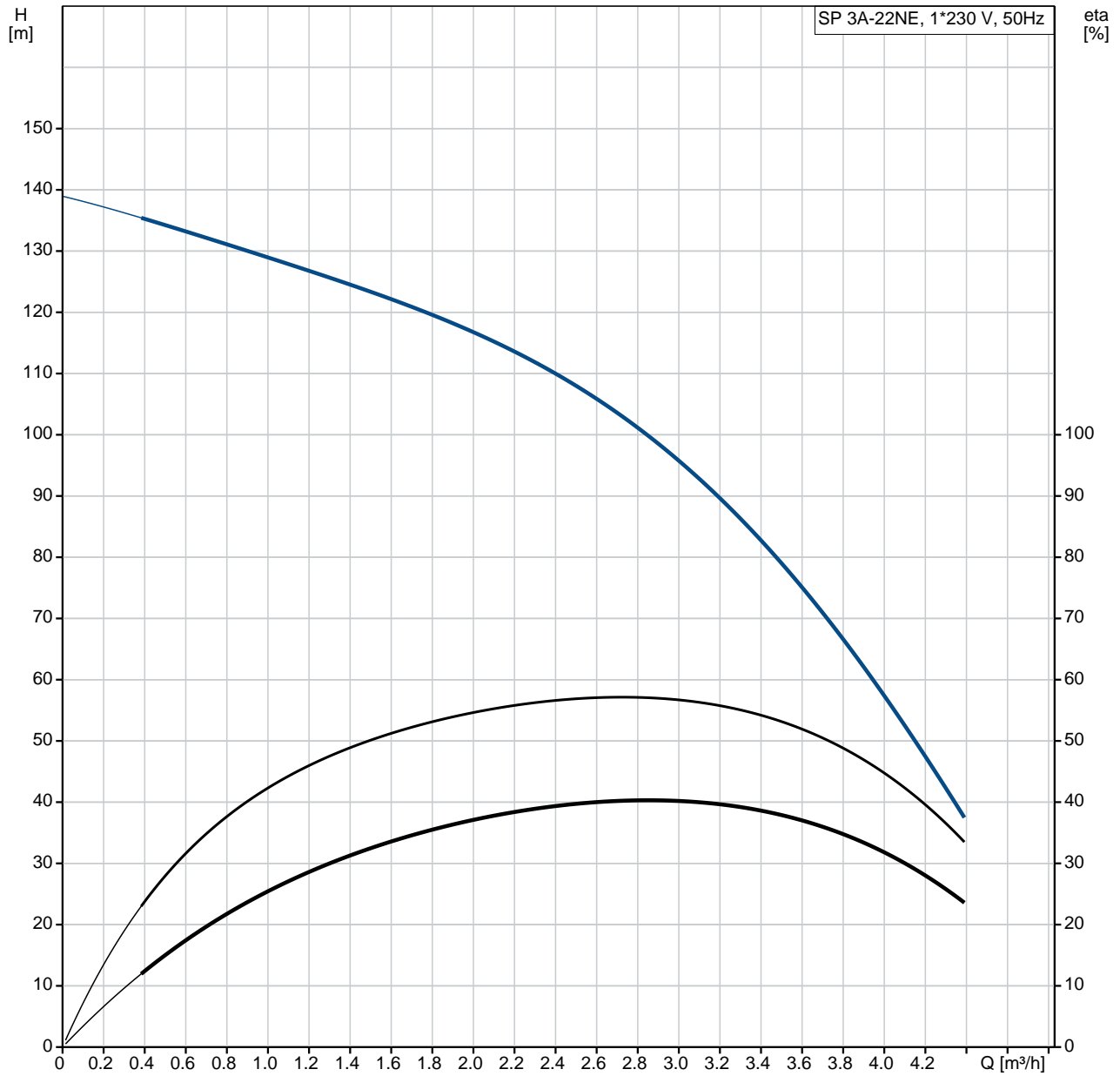
tel. +31 152 610 900

fax. +31 152 616 289

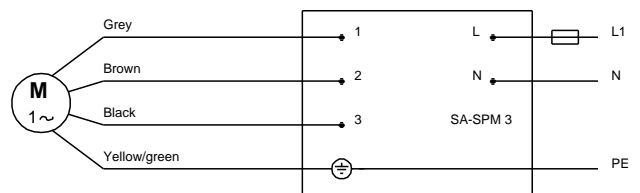
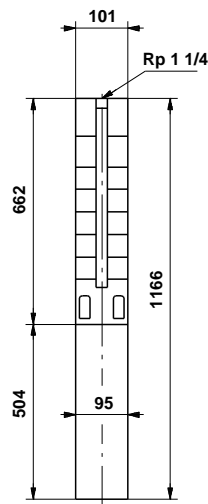
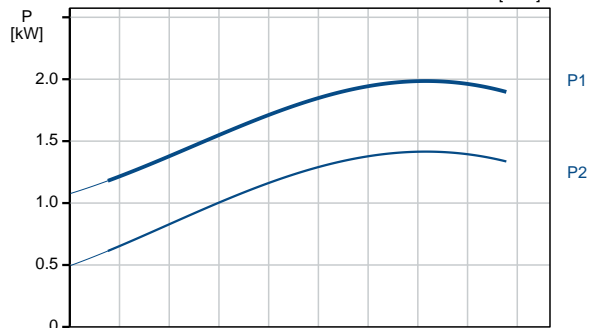
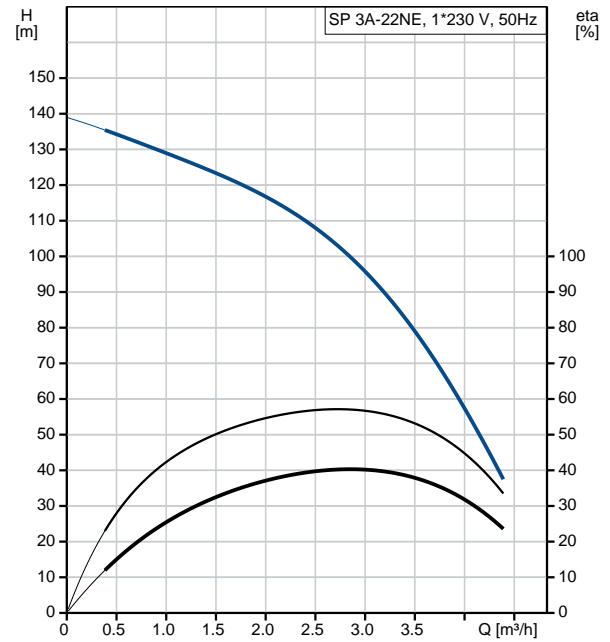
Position	Qty.	Description
	1	<p><b>SP 3A-22NE</b></p>  <p style="text-align: center;"><b>Note! Product picture may differ from actual product</b></p> <p>Product No.: On request  Multi-stage submersible pump designed for pumping of chemically polluted groundwater.  The pump is made entirely of Stainless steel DIN W.-Nr. DIN W.-Nr. 1.4401.</p> <p>The motor is a 1-phase motor with sand shield, mechanical shaft seal, liquid-lubricated bearings and pressure equalizing diaphragm.</p> <p>Pumpset delivered without motor cable. Motor cable to be ordered separately – EPR, Teflon or XLPE.</p> <p><b>Liquid:</b>  Pumped liquid: Water  Max liquid t at 0.15 m/sec: 40 °C  Liquid temperature during operation: 20 °C  Density: 998.2 kg/m<sup>3</sup></p> <p><b>Technical:</b>  Rated flow: 3 m<sup>3</sup>/h  Rated head: 103 m  Shaft seal for motor: SIC/SIC  Curve tolerance: ISO9906:2012 3B</p> <p><b>Materials:</b>  Pump: Stainless steel  DIN W.-Nr. 1.4401  AISI 316  Impeller: Stainless steel  DIN W.-Nr. 1.4401  AISI 316  Motor: Stainless steel  DIN W.-Nr. 1.4539  AISI 904 L</p> <p><b>Installation:</b>  Pump outlet: Rp 1 1/4  Motor diameter: 4 inch</p> <p><b>Electrical data:</b>  Motor type: MS4000  Type of motor: CSCR  Rated power - P2: 2.2 kW  Mains frequency: 50 Hz  Rated voltage: 1 x 220-230 V  Rated current: 14.6-14.0 A  Cos phi - power factor: 0.96-0.96  Rated speed: 2850-2870 rpm  Start. method: direct-on-line  Enclosure class (IEC 34-5): IP68  Insulation class (IEC 85): F  Built-in temp. transmitter: no</p>

Position	Qty.	Description
		<p><b>Others:</b> Minimum efficiency index, MEI : 0.70 Net weight: 28.1 kg</p>

# On request SP 3A-22NE 50 Hz

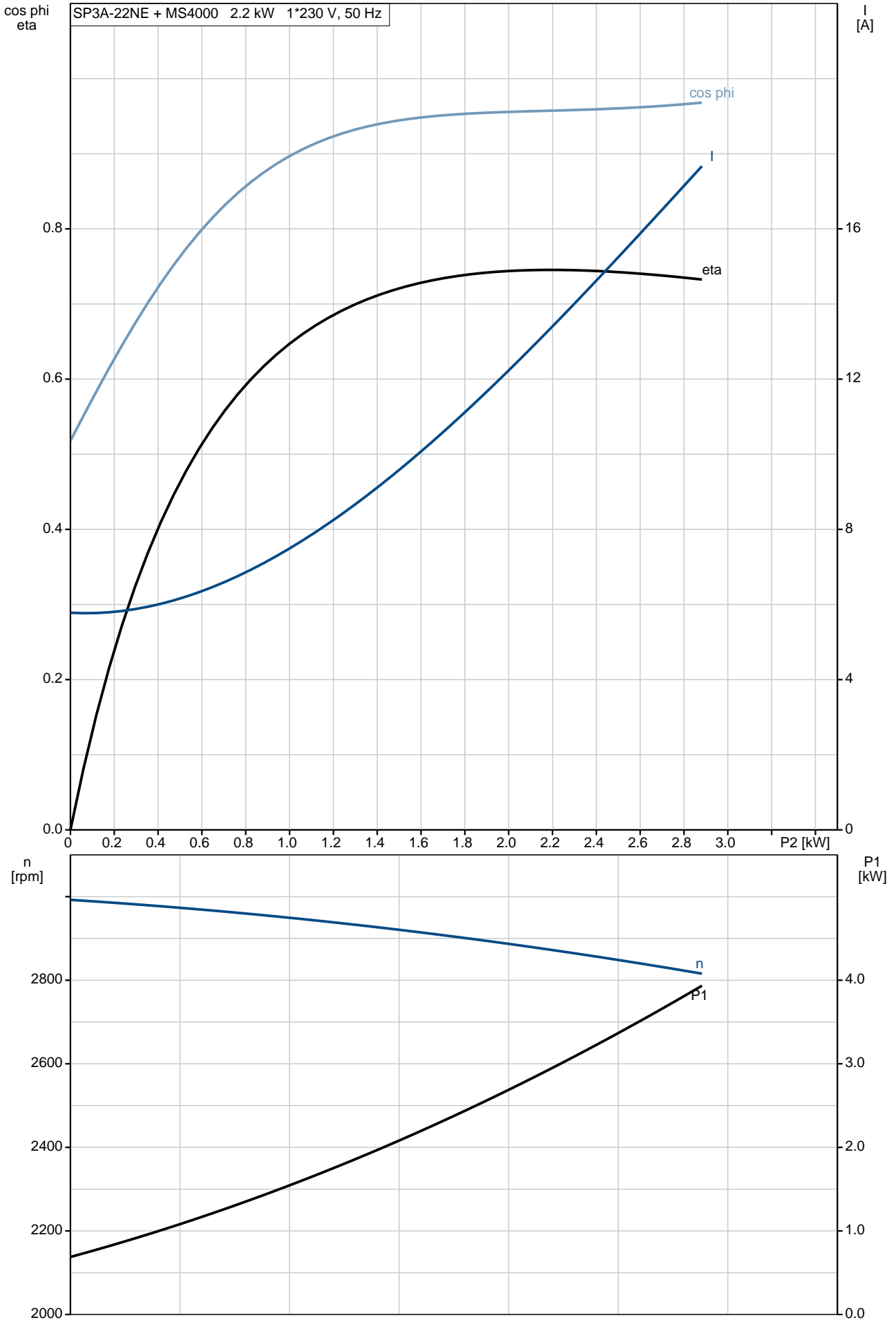


Description	Value
<b>General information:</b>	
Product name:	SP 3A-22NE
Product No:	On request
EAN number:	On request
<b>Technical:</b>	
Rated flow:	3 m <sup>3</sup> /h
Rated head:	103 m
Stages:	22
Shaft seal for motor:	SIC/SIC
Curve tolerance:	ISO9906:2012 3B
Pump No:	10220022
Model:	A
Valve:	no non-return valve
<b>Materials:</b>	
Pump:	Stainless steel DIN W.-Nr. 1.4401 AISI 316
Impeller:	Stainless steel DIN W.-Nr. 1.4401 AISI 316
Motor:	Stainless steel DIN W.-Nr. 1.4539 AISI 904 L
<b>Installation:</b>	
Pump outlet:	Rp 1 1/4
Motor diameter:	4 inch
<b>Liquid:</b>	
Pumped liquid:	Water
Max liquid t at 0.15 m/sec:	40 °C
Liquid temperature during operation:	20 °C
Density:	998.2 kg/m <sup>3</sup>
<b>Electrical data:</b>	
Motor type:	MS4000
Type of motor:	CSCR
Rated power - P2:	2.2 kW
Mains frequency:	50 Hz
Rated voltage:	1 x 220-230 V
Rated current:	14.6-14.0 A
Cos phi - power factor:	0.96-0.96
Rated speed:	2850-2870 rpm
Start. method:	direct-on-line
Enclosure class (IEC 34-5):	IP68
Insulation class (IEC 85):	F
Motor protec:	NONE
Thermal protec:	external
Built-in temp. transmitter:	no
Motor No:	79214407
<b>Others:</b>	
Minimum efficiency index, MEI :	0.70
Net weight:	28.1 kg

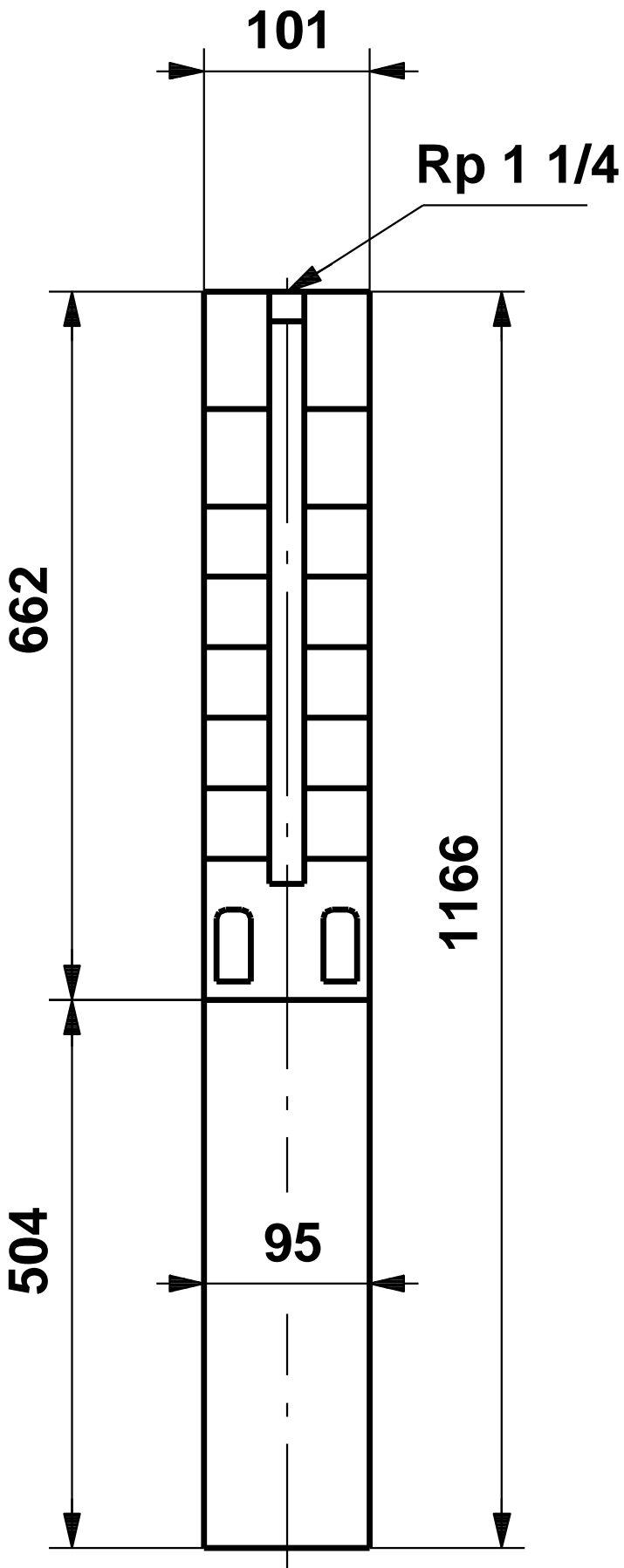


# On request SP 3A-22NE 50 Hz

SP3A-22NE + MS4000 2.2 kW 1\*230 V, 50 Hz

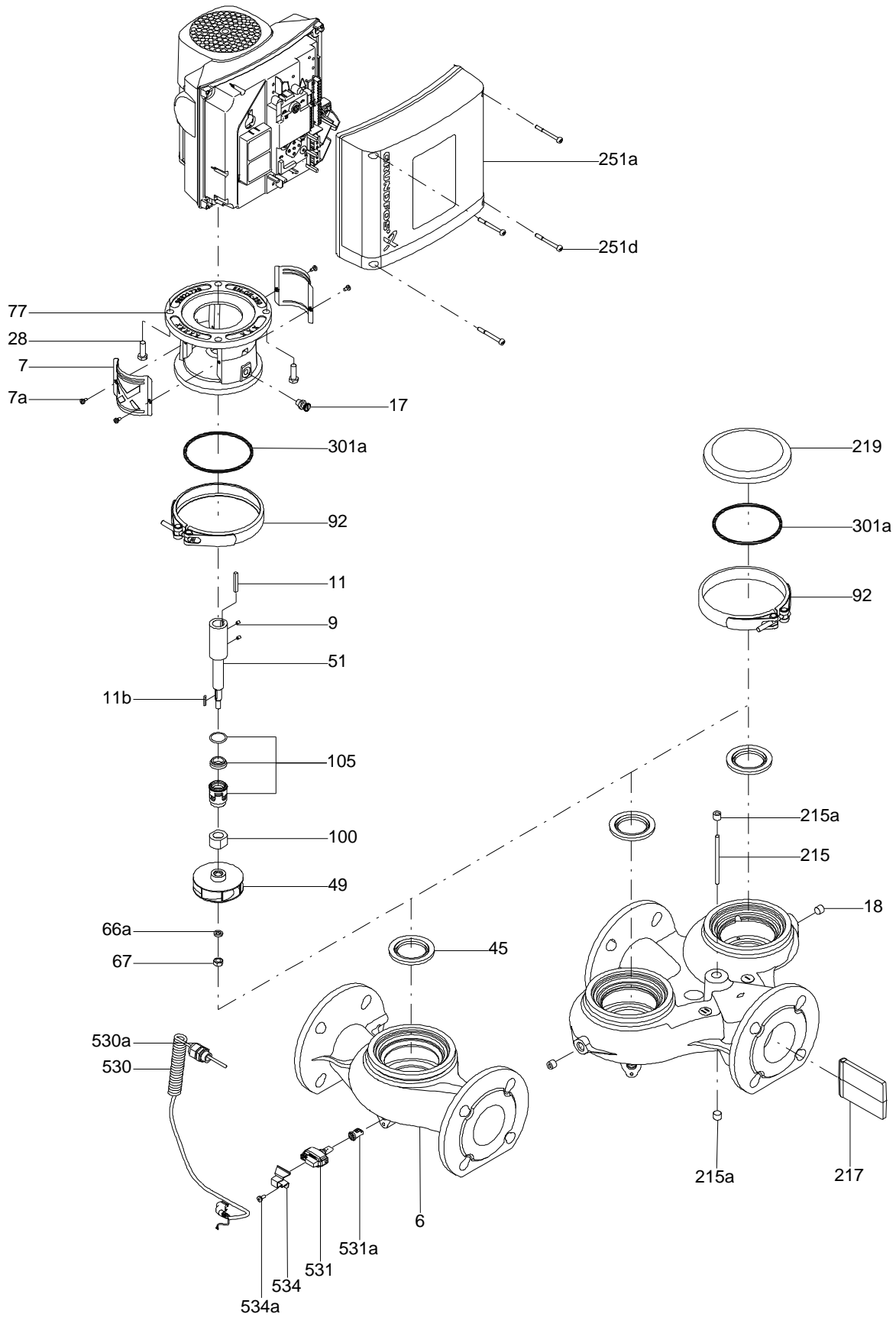


On request SP 3A-22NE 50 Hz



Note! All units are in [mm] unless others are stated.  
Disclaimer: This simplified dimensional drawing does not show all details.

**Exploded view**



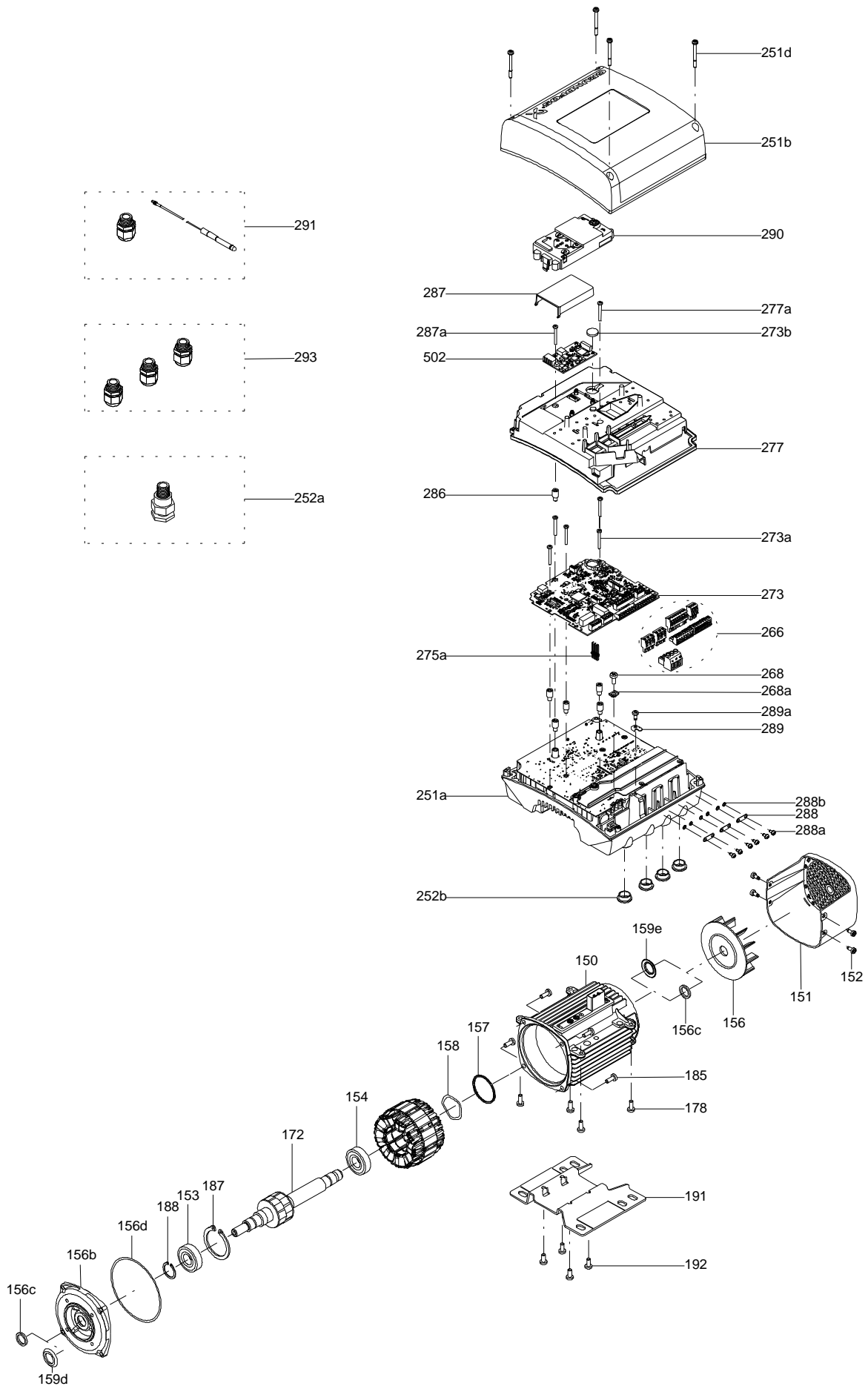


Sectional drawing (TM058200 for TPE2,TPE3)



TM058200

Exploded view ( TM057026 for MGE model H/I )



**Parts list SP 3A-22NE, Product No. On request**  
**Valid from 18.4.1995 (9516)**

Pos	Description	Annotation	Données de classification	Référence	Quantité	Unité
-	Pump w/o motor				1	pcs
	Stop ring				3	
	Retainer				1	
- 1	Valve casing cpl.				1	
	Valve casing				1	
6	Bearing				1	
- 9	Intermediate chamber cpl.				22	
	Chamber				1	
7	Seal ring				1	
- 10	Chamber cpl.				1	
7	Seal ring				1	
- 13a	Impeller cpl.				22	
	Impeller				1	
- 11	Split cone nut				1	
	Split cone nut					
11a	O-ring					
12	Split cone				1	
14	Suction interconnector				1	
15	Strainer				1	
16	Shaft cpl.		Length (mm): 570		1	
17	Strap cpl.		Length (mm): 590		4	
			Thread: M8			
18	Cable guard cpl.				1	
18d	Hex nut				2	
19	Nut				4	
78	Nameplate				1	
-	Motor				1	pcs
1	Stator w/housing				1	
2	Shaft w/rotor				1	
3	Thrust ring support cpl.				1	
4	Radial bearing				1	
5	Bearing pipe				1	
6	Thrust bearing				1	
7	Lock ring				1	
10	Bearing retainer				1	
11	Adjusting screw				1	
12	Diaphragm				1	
13	End shield				1	
15	Nut				1	
16	Lock washer				1	
18	Nut		Thread: M8 DIN 934		1	
21	Nut		Thread: M8 DIN 934		4	
22	Staybolt		Thread: M8 X M8		3	
22a	Staybolt		Thread: M8 X M8 R		1	
22b	Cheese head screw				1	
22c	O-ring		Diameter: 4		1	
			Material type: FKM			
			Thickness: 1			
24	O-ring		Diameter: 40		1	
			Material type: FKM			
			Thickness: 2			
25	Shaft seal housing				1	
27	Spline protector				1	
28	Supporting ring				1	
29	Sand shield				1	
30	Compression spring				1	
31	Supporting ring				1	
32	Shaft seal cpl.				1	
- 34	Shaft seal cpl.				1	

Pos	Description	Annotation	Données de classification	Référence	Quantité	Unité
	Seal ring				1	
	Seal ring, rotating				1	
33	O-ring		Diameter: 16		1	
			Material type: VITON			
			Thickness: 2.5			

*Disclaimer: The information about the Grundfos pump in this document may be outdated.*

*Data may be subject to alterations without further notice.*

*Please contact us to verify the data above is still accurate/up-to-date.*

All information is copyright Grundfos.



[info@lenntech.com](mailto:info@lenntech.com)

<https://www.lenntech.com>

tel. +31 152 610 900

fax. +31 152 616 289