

SP3A-15NE 2.2kW 1x220V 50Hz
Grundfos pump 10222115




Thank you for your interest in our products. Please contact us for more information, or visit our website

<https://www.lenntech.com/grundfos/SPNE03/10222115/SP-3A-15NE.html>

info@lenntech.com

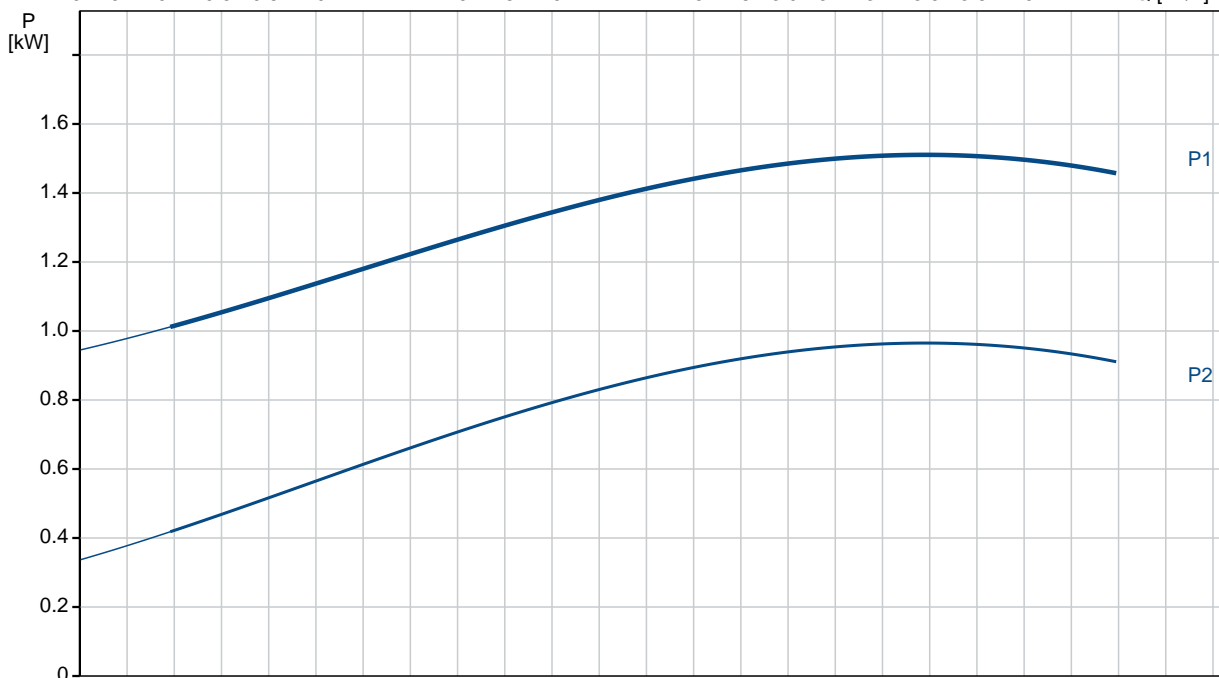
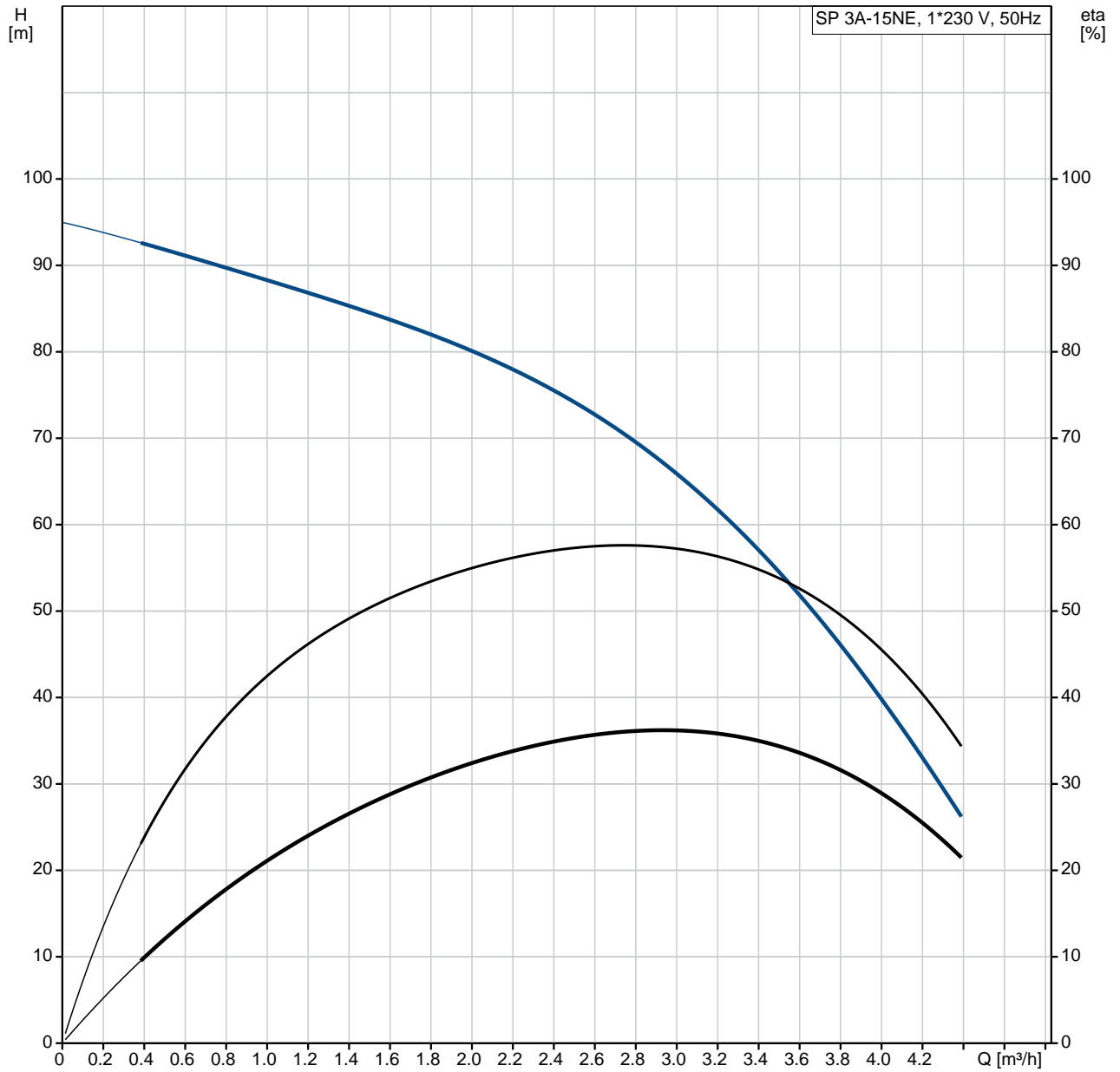
tel. +31 152 610 900

fax. +31 152 616 289

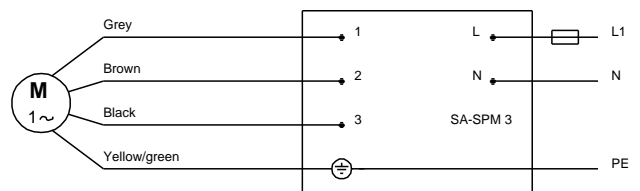
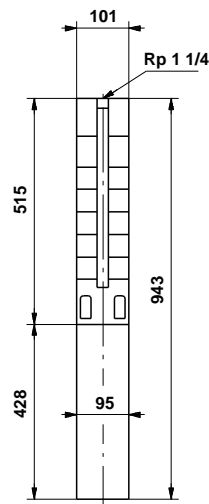
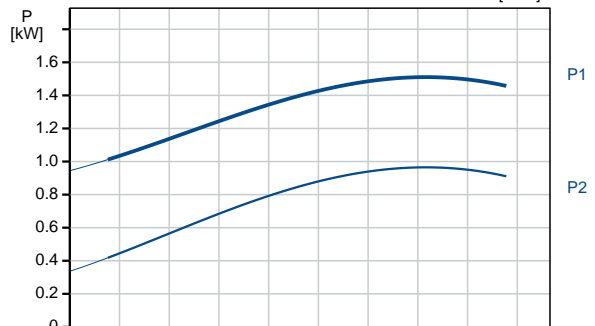
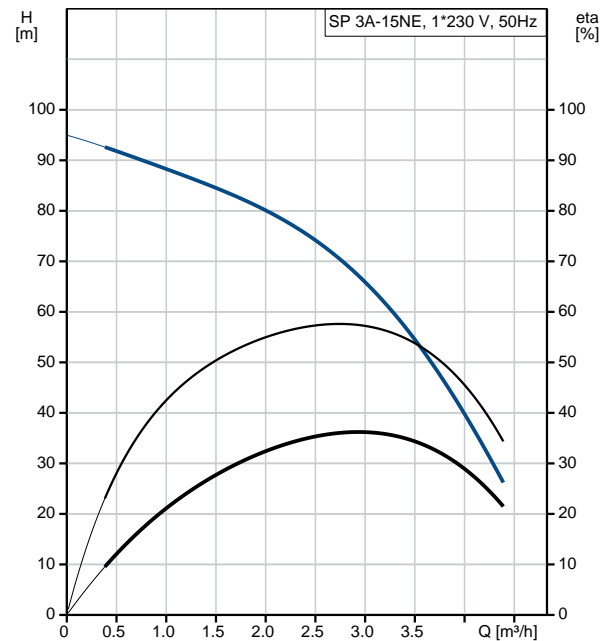
Position	Qty.	Description																																																		
	1	<p data-bbox="322 161 466 192">SP 3A-15NE</p> <div data-bbox="485 224 529 604" style="text-align: center;">  </div> <p data-bbox="711 595 1193 618" style="text-align: center;">Note! Product picture may differ from actual product</p> <p data-bbox="322 627 1292 712">Product No.: On request Multi-stage submersible pump designed for pumping of chemically polluted groundwater. The pump is made entirely of Stainless steel DIN W.-Nr. DIN W.-Nr. 1.4401.</p> <p data-bbox="322 743 1420 797">The motor is a 1-phase motor with sand shield, mechanical shaft seal, liquid-lubricated bearings and pressure equalizing diaphragm.</p> <p data-bbox="322 828 1433 860">Pumpset delivered without motor cable. Motor cable to be ordered separately – EPR, Teflon or XLPE.</p> <p data-bbox="322 891 405 922">Liquid:</p> <table data-bbox="322 922 817 1039"> <tr><td>Pumped liquid:</td><td>Water</td></tr> <tr><td>Max liquid t at 0.15 m/sec:</td><td>40 °C</td></tr> <tr><td>Liquid temperature during operation:</td><td>20 °C</td></tr> <tr><td>Density:</td><td>998.2 kg/m³</td></tr> </table> <p data-bbox="322 1070 443 1102">Technical:</p> <table data-bbox="322 1102 880 1218"> <tr><td>Rated flow:</td><td>3 m³/h</td></tr> <tr><td>Rated head:</td><td>70 m</td></tr> <tr><td>Shaft seal for motor:</td><td>SIC/SIC</td></tr> <tr><td>Curve tolerance:</td><td>ISO9906:2012 3B</td></tr> </table> <p data-bbox="322 1249 437 1281">Materials:</p> <table data-bbox="322 1281 887 1545"> <tr><td>Pump:</td><td>Stainless steel DIN W.-Nr. 1.4401 AISI 316</td></tr> <tr><td>Impeller:</td><td>Stainless steel DIN W.-Nr. 1.4401 AISI 316</td></tr> <tr><td>Motor:</td><td>Stainless steel DIN W.-Nr. 1.4539 AISI 904 L</td></tr> </table> <p data-bbox="322 1576 459 1608">Installation:</p> <table data-bbox="322 1608 778 1666"> <tr><td>Pump outlet:</td><td>Rp 1 1/4</td></tr> <tr><td>Motor diameter:</td><td>4 inch</td></tr> </table> <p data-bbox="322 1697 497 1729">Electrical data:</p> <table data-bbox="322 1729 855 2078"> <tr><td>Motor type:</td><td>MS4000</td></tr> <tr><td>Type of motor:</td><td>CSCR</td></tr> <tr><td>Rated power - P2:</td><td>2.2 kW</td></tr> <tr><td>Mains frequency:</td><td>50 Hz</td></tr> <tr><td>Rated voltage:</td><td>1 x 220-230 V</td></tr> <tr><td>Rated current:</td><td>14.6-14.0 A</td></tr> <tr><td>Cos phi - power factor:</td><td>0.96-0.96</td></tr> <tr><td>Rated speed:</td><td>2850-2870 rpm</td></tr> <tr><td>Start. method:</td><td>direct-on-line</td></tr> <tr><td>Enclosure class (IEC 34-5):</td><td>IP68</td></tr> <tr><td>Insulation class (IEC 85):</td><td>F</td></tr> <tr><td>Built-in temp. transmitter:</td><td>no</td></tr> </table>	Pumped liquid:	Water	Max liquid t at 0.15 m/sec:	40 °C	Liquid temperature during operation:	20 °C	Density:	998.2 kg/m ³	Rated flow:	3 m ³ /h	Rated head:	70 m	Shaft seal for motor:	SIC/SIC	Curve tolerance:	ISO9906:2012 3B	Pump:	Stainless steel DIN W.-Nr. 1.4401 AISI 316	Impeller:	Stainless steel DIN W.-Nr. 1.4401 AISI 316	Motor:	Stainless steel DIN W.-Nr. 1.4539 AISI 904 L	Pump outlet:	Rp 1 1/4	Motor diameter:	4 inch	Motor type:	MS4000	Type of motor:	CSCR	Rated power - P2:	2.2 kW	Mains frequency:	50 Hz	Rated voltage:	1 x 220-230 V	Rated current:	14.6-14.0 A	Cos phi - power factor:	0.96-0.96	Rated speed:	2850-2870 rpm	Start. method:	direct-on-line	Enclosure class (IEC 34-5):	IP68	Insulation class (IEC 85):	F	Built-in temp. transmitter:	no
Pumped liquid:	Water																																																			
Max liquid t at 0.15 m/sec:	40 °C																																																			
Liquid temperature during operation:	20 °C																																																			
Density:	998.2 kg/m ³																																																			
Rated flow:	3 m ³ /h																																																			
Rated head:	70 m																																																			
Shaft seal for motor:	SIC/SIC																																																			
Curve tolerance:	ISO9906:2012 3B																																																			
Pump:	Stainless steel DIN W.-Nr. 1.4401 AISI 316																																																			
Impeller:	Stainless steel DIN W.-Nr. 1.4401 AISI 316																																																			
Motor:	Stainless steel DIN W.-Nr. 1.4539 AISI 904 L																																																			
Pump outlet:	Rp 1 1/4																																																			
Motor diameter:	4 inch																																																			
Motor type:	MS4000																																																			
Type of motor:	CSCR																																																			
Rated power - P2:	2.2 kW																																																			
Mains frequency:	50 Hz																																																			
Rated voltage:	1 x 220-230 V																																																			
Rated current:	14.6-14.0 A																																																			
Cos phi - power factor:	0.96-0.96																																																			
Rated speed:	2850-2870 rpm																																																			
Start. method:	direct-on-line																																																			
Enclosure class (IEC 34-5):	IP68																																																			
Insulation class (IEC 85):	F																																																			
Built-in temp. transmitter:	no																																																			

Position	Qty.	Description
		<p>Others: Minimum efficiency index, MEI : 0.70 Net weight: 22.1 kg</p>

On request SP 3A-15NE 50 Hz

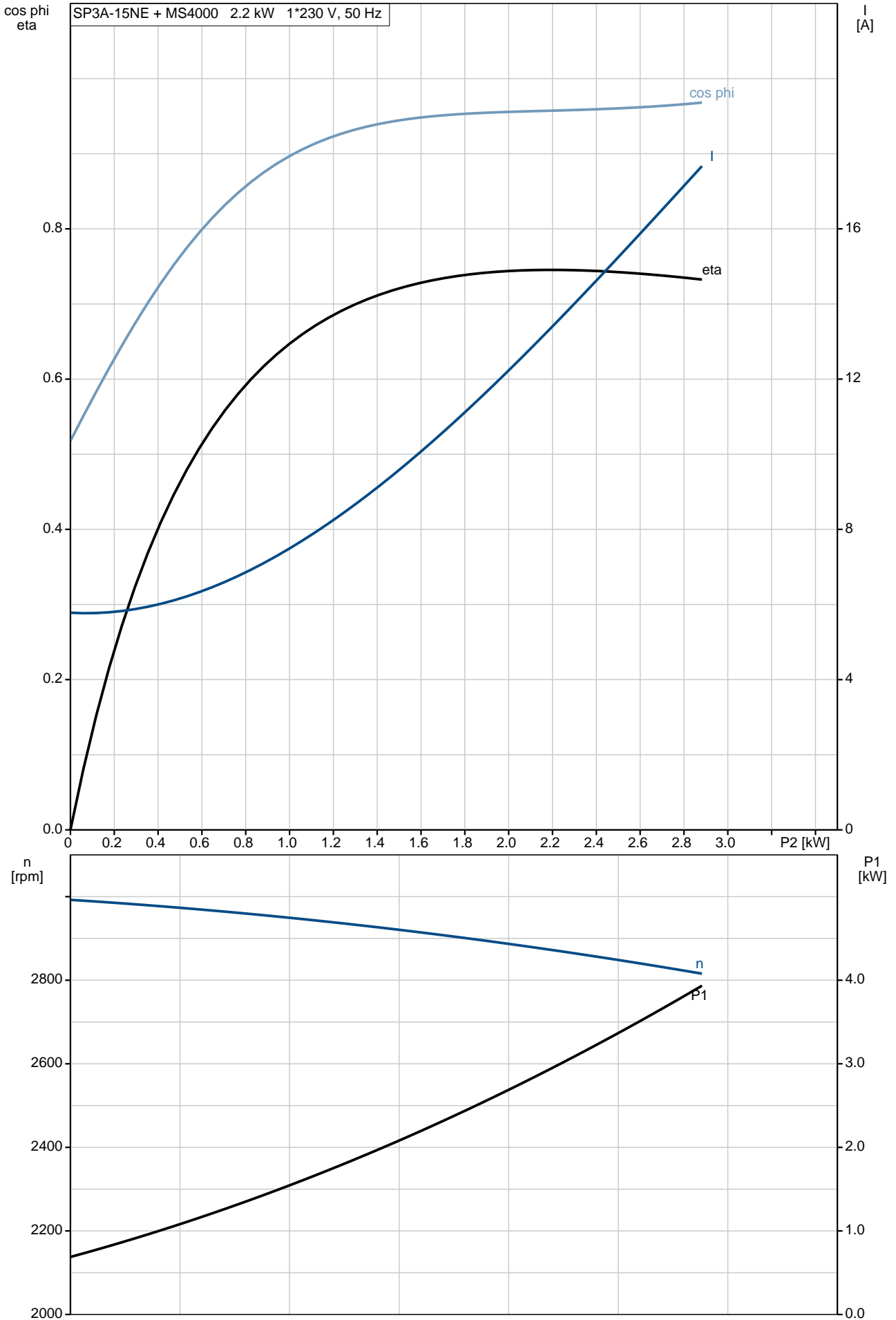


Description	Value
General information:	
Product name:	SP 3A-15NE
Product No:	On request
EAN number:	On request
Technical:	
Rated flow:	3 m ³ /h
Rated head:	70 m
Stages:	15
Shaft seal for motor:	SIC/SIC
Curve tolerance:	ISO9906:2012 3B
Pump No:	10220015
Model:	A
Valve:	no non-return valve
Materials:	
Pump:	Stainless steel DIN W.-Nr. 1.4401 AISI 316
Impeller:	Stainless steel DIN W.-Nr. 1.4401 AISI 316
Motor:	Stainless steel DIN W.-Nr. 1.4539 AISI 904 L
Installation:	
Pump outlet:	Rp 1 1/4
Motor diameter:	4 inch
Liquid:	
Pumped liquid:	Water
Max liquid t at 0.15 m/sec:	40 °C
Liquid temperature during operation:	20 °C
Density:	998.2 kg/m ³
Electrical data:	
Motor type:	MS4000
Type of motor:	CSCR
Rated power - P2:	2.2 kW
Mains frequency:	50 Hz
Rated voltage:	1 x 220-230 V
Rated current:	14.6-14.0 A
Cos phi - power factor:	0.96-0.96
Rated speed:	2850-2870 rpm
Start. method:	direct-on-line
Enclosure class (IEC 34-5):	IP68
Insulation class (IEC 85):	F
Motor protec:	NONE
Thermal protec:	external
Built-in temp. transmitter:	no
Motor No:	79214407
Others:	
Minimum efficiency index, MEI :	0.70
Net weight:	22.1 kg

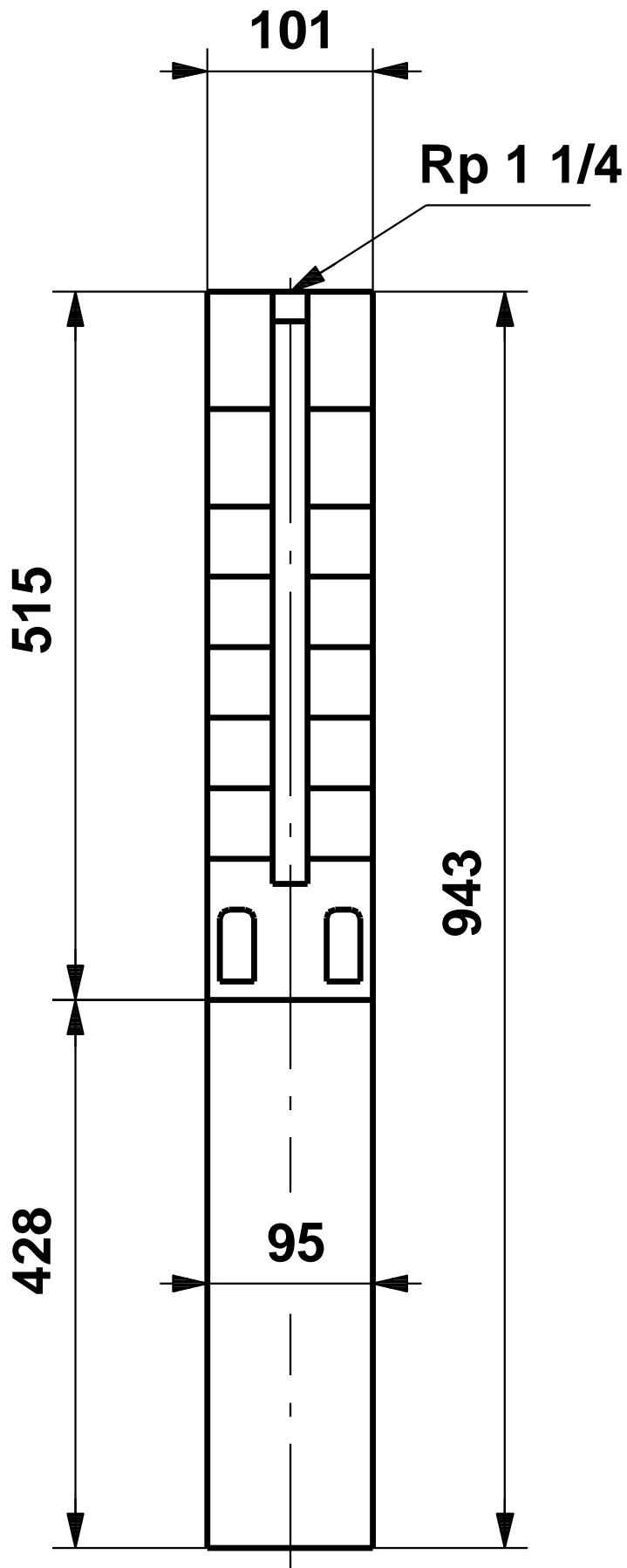


On request SP 3A-15NE 50 Hz

SP3A-15NE + MS4000 2.2 kW 1*230 V, 50 Hz

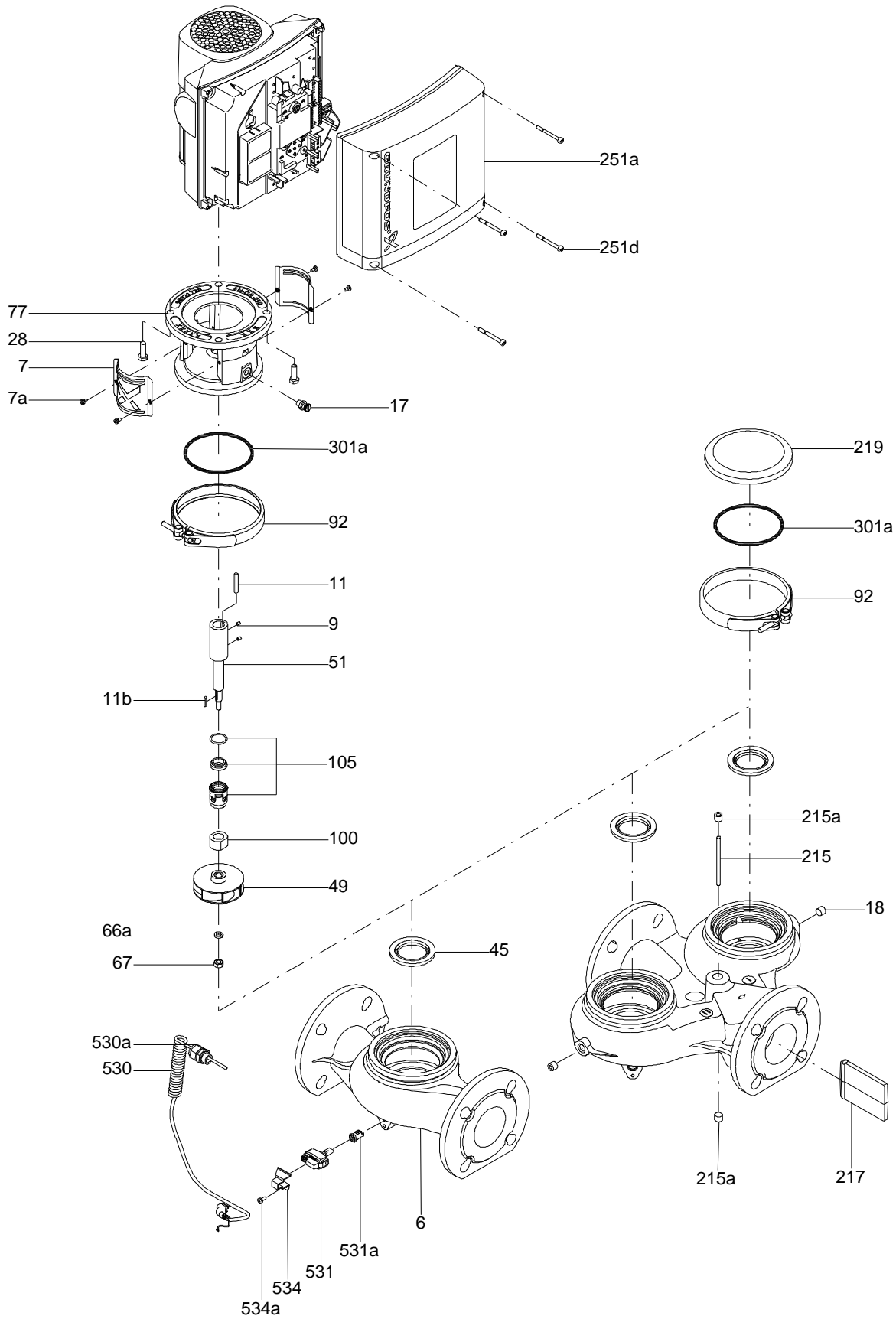


On request SP 3A-15NE 50 Hz

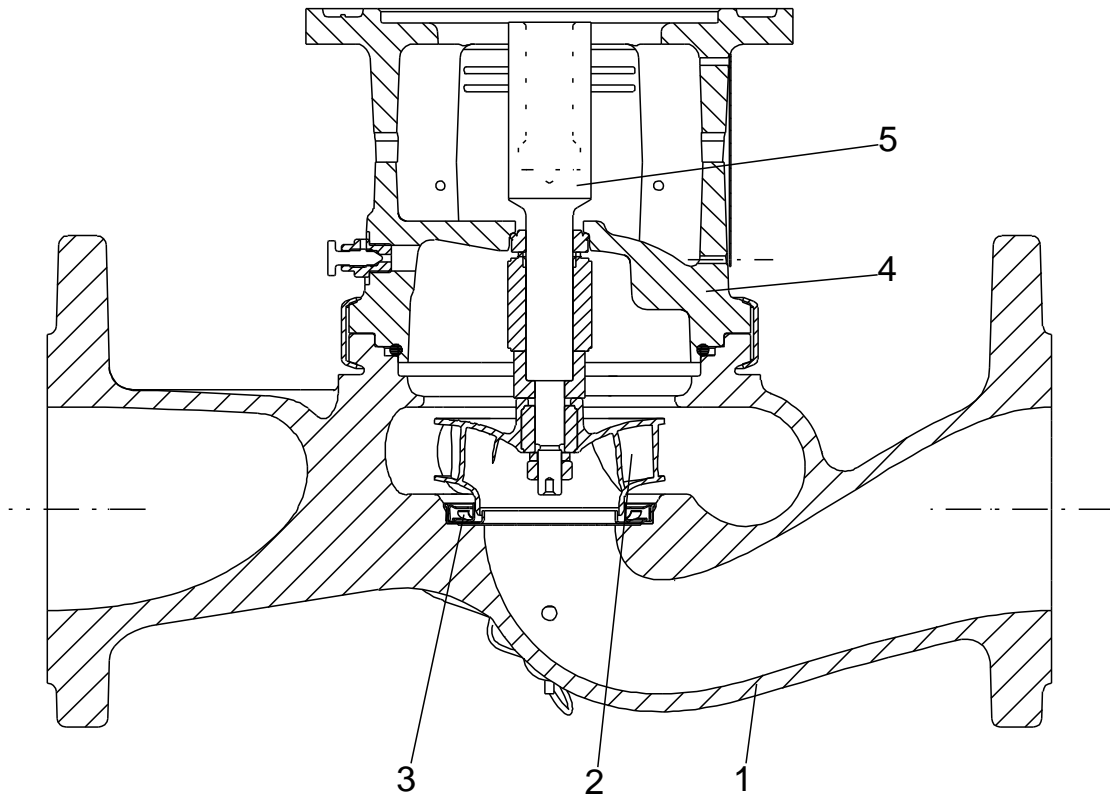


Note! All units are in [mm] unless others are stated.
Disclaimer: This simplified dimensional drawing does not show all details.

Exploded view

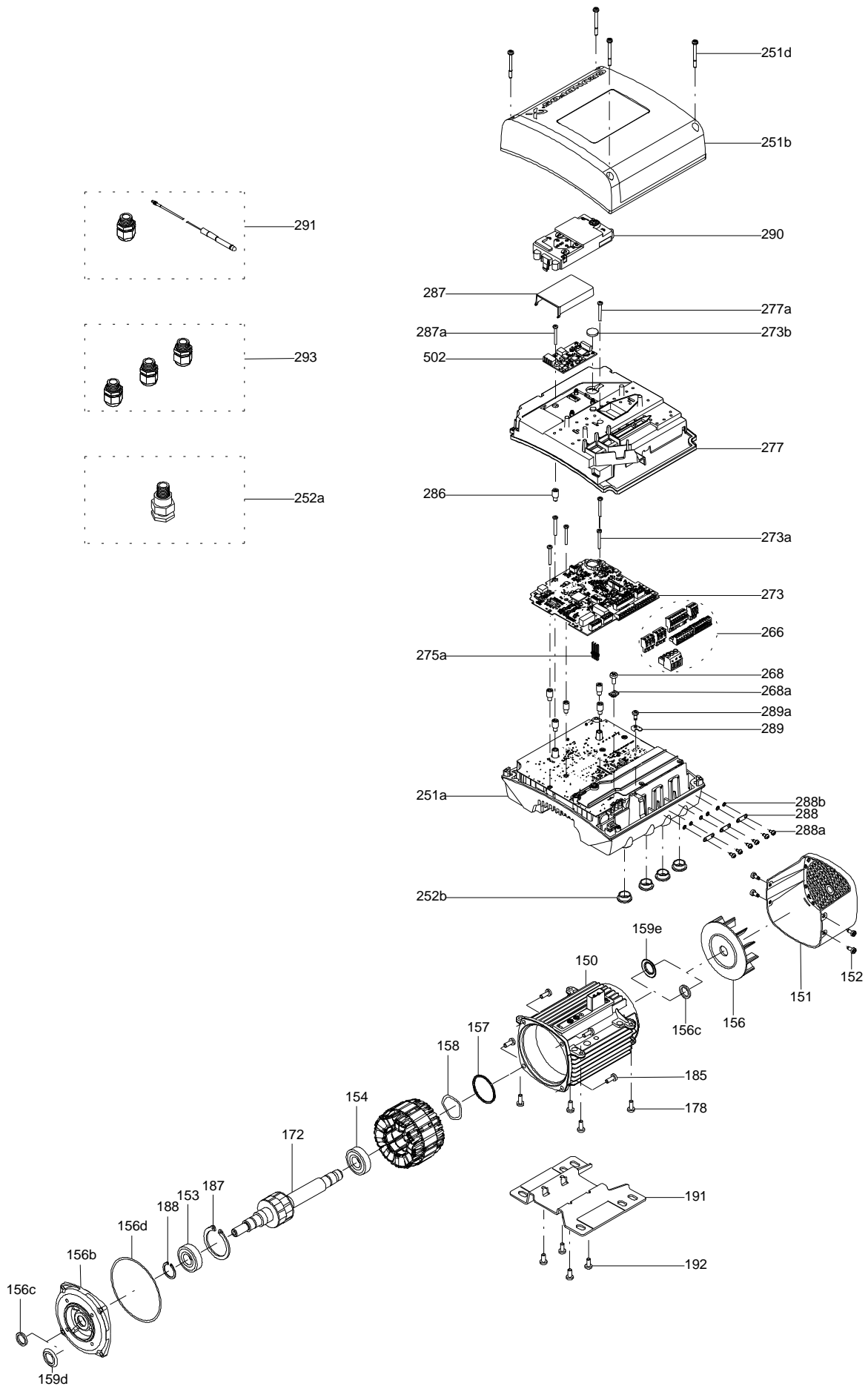


Sectional drawing (TM058200 for TPE2,TPE3)



TM058200

Exploded view (TM057026 for MGE model H/I)



Parts list SP 3A-15NE, Product No. On request
Valid from 18.4.1995 (9516)

Pos	Description	Annotation	Données de classification	Référence	Quantité	Unité
-	Pump w/o motor				1	pcs
	Stop ring				2	
	Retainer				1	
- 1	Valve casing cpl.				1	
	Valve casing				1	
6	Bearing				1	
- 9	Intermediate chamber cpl.				15	
	Chamber				1	
7	Seal ring				1	
- 10	Chamber cpl.				1	
7	Seal ring				1	
- 13a	Impeller cpl.				15	
	Impeller				1	
- 11	Split cone nut				1	
	Split cone nut					
11a	O-ring					
12	Split cone				1	
14	Suction interconnector				1	
15	Strainer				1	
16	Shaft cpl.		Length (mm): 423		1	
17	Strap cpl.		Length (mm): 443		4	
			Thread: M8			
18	Cable guard cpl.				1	
18d	Hex nut				2	
19	Nut				4	
78	Nameplate				1	
-	Motor				1	pcs
1	Stator w/housing				1	
2	Shaft w/rotor				1	
3	Thrust ring support cpl.				1	
4	Radial bearing				1	
5	Bearing pipe				1	
6	Thrust bearing				1	
7	Lock ring				1	
10	Bearing retainer				1	
11	Adjusting screw				1	
12	Diaphragm				1	
13	End shield				1	
15	Nut				1	
16	Lock washer				1	
18	Nut		Thread: M8 DIN 934		1	
21	Nut		Thread: M8 DIN 934		4	
22	Staybolt		Thread: M8 X M8		3	
22a	Staybolt		Thread: M8 X M8 R		1	
22b	Cheese head screw				1	
22c	O-ring		Diameter: 4		1	
			Material type: FKM			
			Thickness: 1			
24	O-ring		Diameter: 40		1	
			Material type: FKM			
			Thickness: 2			
25	Shaft seal housing				1	
27	Spline protector				1	
28	Supporting ring				1	
29	Sand shield				1	
30	Compression spring				1	
31	Supporting ring				1	
32	Shaft seal cpl.				1	
- 34	Shaft seal cpl.				1	

Pos	Description	Annotation	Données de classification	Référence	Quantité	Unité
	Seal ring				1	
	Seal ring, rotating				1	
33	O-ring		Diameter: 16		1	
			Material type: VITON			
			Thickness: 2.5			

Disclaimer: The information about the Grundfos pump in this document may be outdated.

Data may be subject to alterations without further notice.

Please contact us to verify the data above is still accurate/up-to-date.

All information is copyright Grundfos.



info@lenntech.com

<https://www.lenntech.com>

tel. +31 152 610 900

fax. +31 152 616 289