

## SP3A-29NE 2.2kW 3x380-415V 50Hz

Grundfos pump 10221929




Thank you for your interest in our products. Please contact us for more information, or visit our website

<https://www.lenntech.com/grundfos/SPNE03/10221929/SP-3A-29NE.html>

[info@lenntech.com](mailto:info@lenntech.com)

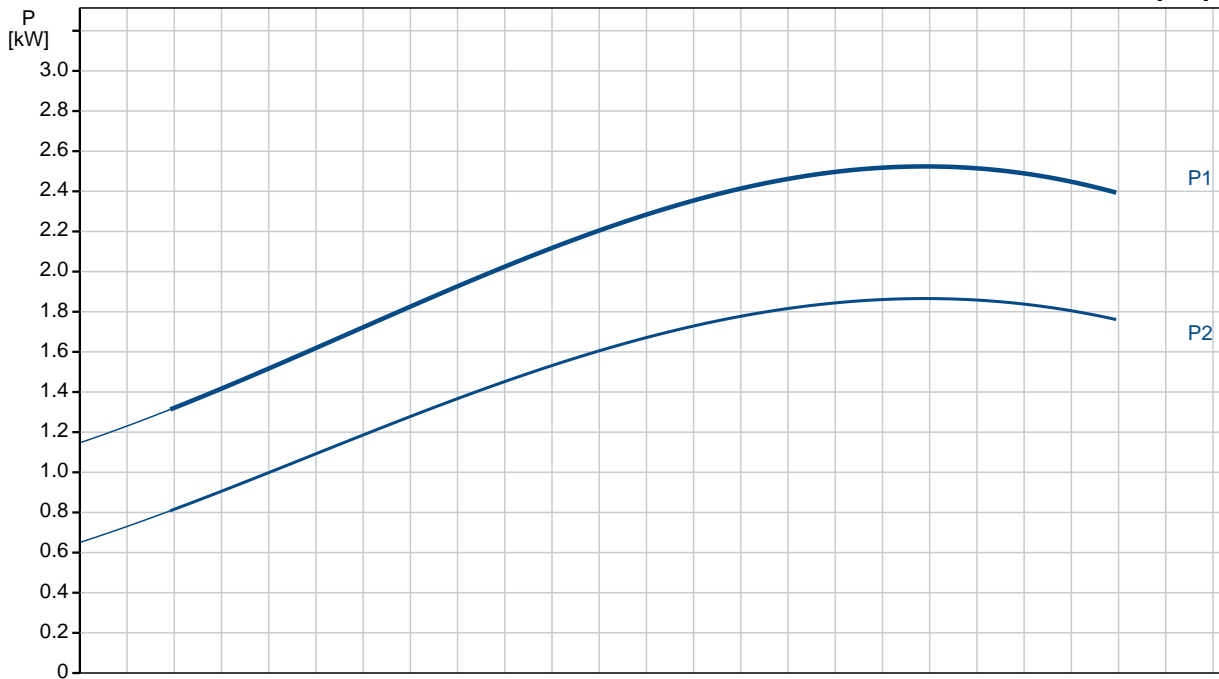
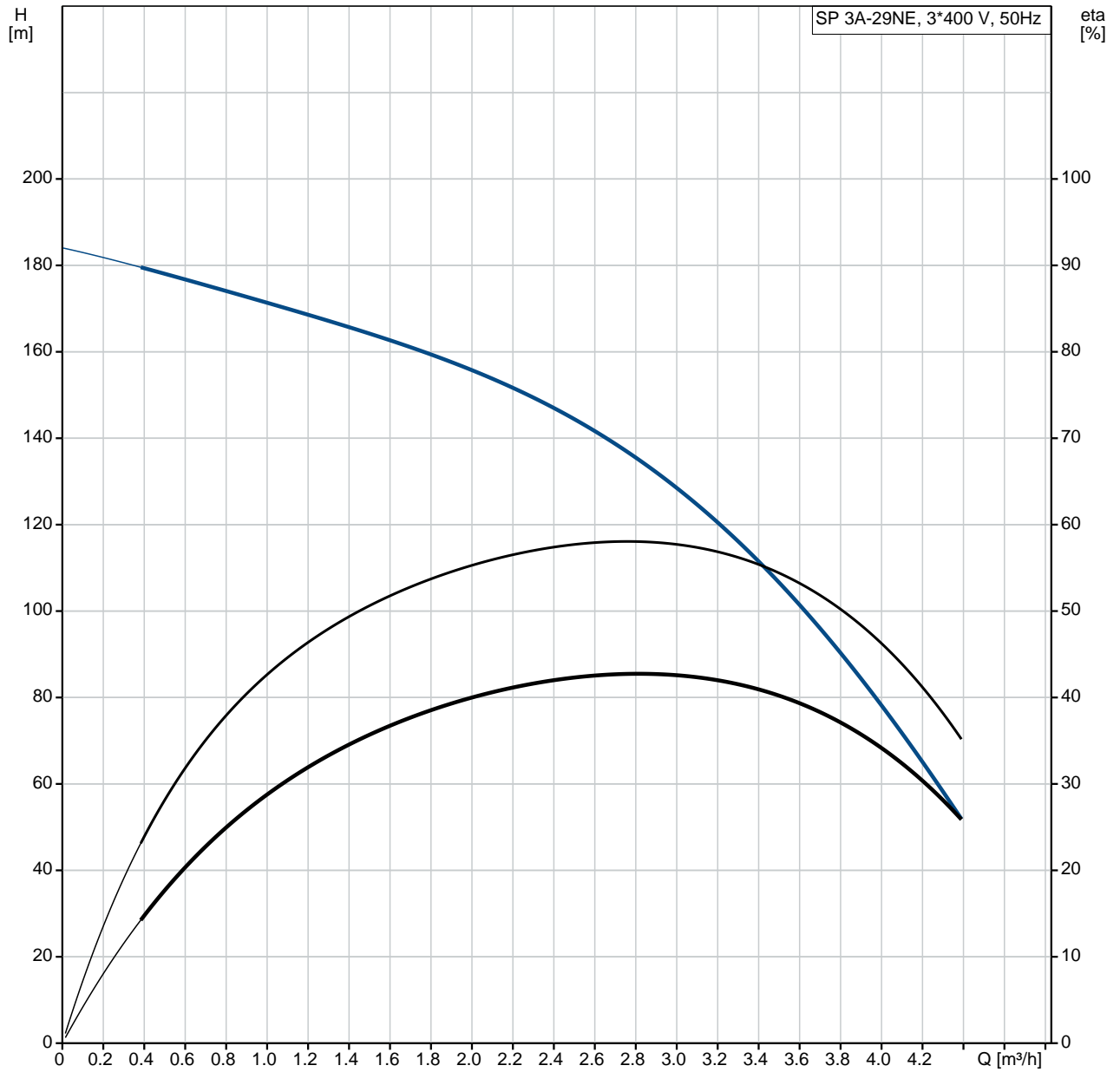
tel. +31 152 610 900

fax. +31 152 616 289

Position	Qty.	Description
	1	<p data-bbox="320 163 464 194"><b>SP 3A-29NE</b></p>  <p data-bbox="711 595 1193 622" style="text-align: center;"><b>Note! Product picture may differ from actual product</b></p> <p data-bbox="320 629 1294 714">Product No.: On request Multi-stage submersible pump designed for pumping of chemically polluted groundwater. The pump is made entirely of Stainless steel DIN W.-Nr. DIN W.-Nr. 1.4401.</p> <p data-bbox="320 745 1422 799">The motor is a 3-phase motor with sand shield, mechanical shaft seal, liquid-lubricated bearings and pressure equalizing diaphragm.</p> <p data-bbox="320 831 1434 862">Pumpset delivered without motor cable. Motor cable to be ordered separately – EPR, Teflon or XLPE.</p> <p data-bbox="320 893 405 925"><b>Liquid:</b></p> <p data-bbox="320 925 815 1041">Pumped liquid: Water Max liquid t at 0.15 m/sec: 40 °C Liquid temperature during operation: 20 °C Density: 998.2 kg/m<sup>3</sup></p> <p data-bbox="320 1072 443 1104"><b>Technical:</b></p> <p data-bbox="320 1104 882 1220">Rated flow: 3 m<sup>3</sup>/h Rated head: 135 m Shaft seal for motor: SIC/SIC Curve tolerance: ISO9906:2012 3B</p> <p data-bbox="320 1252 437 1283"><b>Materials:</b></p> <p data-bbox="320 1283 887 1547">Pump: Stainless steel DIN W.-Nr. 1.4401 AISI 316 Impeller: Stainless steel DIN W.-Nr. 1.4401 AISI 316 Motor: Stainless steel DIN W.-Nr. 1.4539 AISI 904 L</p> <p data-bbox="320 1579 461 1610"><b>Installation:</b></p> <p data-bbox="320 1610 778 1664">Pump outlet: Rp 1 1/4 Motor diameter: 4 inch</p> <p data-bbox="320 1695 497 1727"><b>Electrical data:</b></p> <p data-bbox="320 1727 916 2049">Motor type: MS4000 Rated power - P2: 2.2 kW Mains frequency: 50 Hz Rated voltage: 3 x 380-400-415 V Rated current: 5.75-6.00-6.30 A Cos phi - power factor: 0.82-0.76-0.71 Rated speed: 2840-2860-2870 rpm Start. method: direct-on-line Enclosure class (IEC 34-5): IP68 Insulation class (IEC 85): F Built-in temp. transmitter: yes</p> <p data-bbox="320 2080 408 2112"><b>Others:</b></p>

Position	Qty.	Description
		<p>Minimum efficiency index, MEI : 0.70 Net weight: 30.8 kg Danish VVS No.: 388314290</p>

# On request SP 3A-29NE 50 Hz



Description	Value
-------------	-------

**General information:**

Product name: SP 3A-29NE  
 Product No: On request  
 EAN number: On request

**Technical:**

Rated flow: 3 m³/h  
 Rated head: 135 m  
 Stages: 29  
 Shaft seal for motor: SIC/SIC  
 Curve tolerance: ISO9906:2012 3B  
 Pump No: 10220029  
 Model: A  
 Valve: no non-return valve

**Materials:**

Pump: Stainless steel  
 DIN W.-Nr. 1.4401  
 AISI 316  
 Impeller: Stainless steel  
 DIN W.-Nr. 1.4401  
 AISI 316  
 Motor: Stainless steel  
 DIN W.-Nr. 1.4539  
 AISI 904 L

**Installation:**

Pump outlet: Rp 1 1/4  
 Motor diameter: 4 inch

**Liquid:**

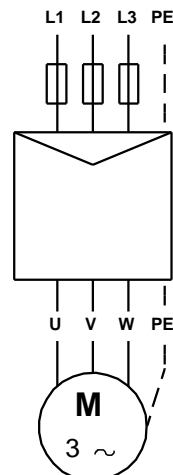
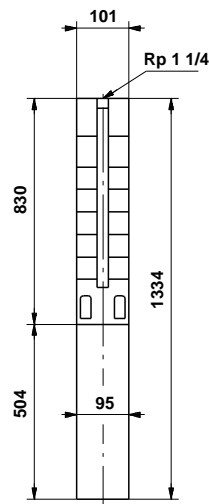
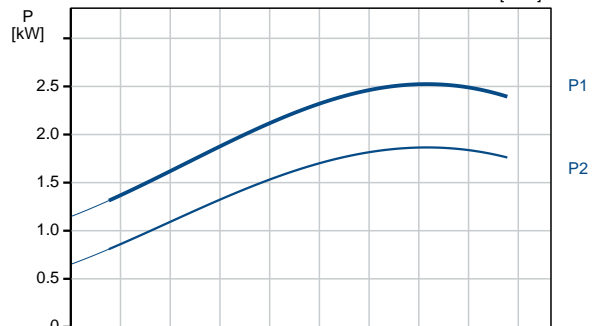
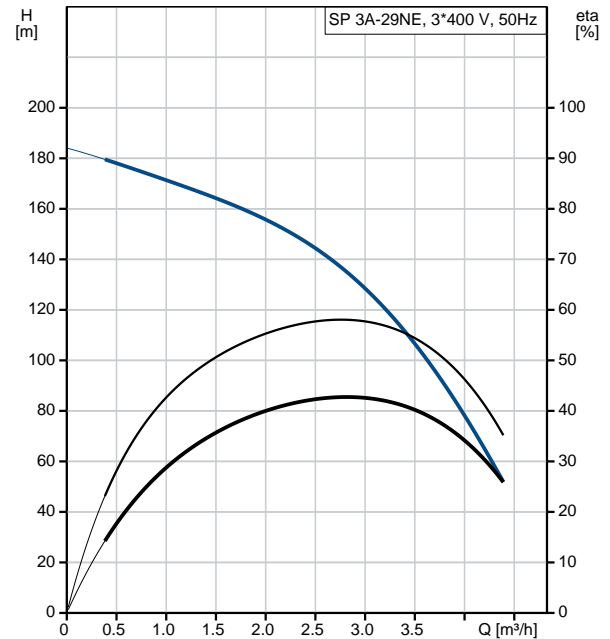
Pumped liquid: Water  
 Max liquid t at 0.15 m/sec: 40 °C  
 Liquid temperature during operation: 20 °C  
 Density: 998.2 kg/m³

**Electrical data:**

Motor type: MS4000  
 Rated power - P2: 2.2 kW  
 Mains frequency: 50 Hz  
 Rated voltage: 3 x 380-400-415 V  
 Rated current: 5.75-6.00-6.30 A  
 Cos phi - power factor: 0.82-0.76-0.71  
 Rated speed: 2840-2860-2870 rpm  
 Start. method: direct-on-line  
 Enclosure class (IEC 34-5): IP68  
 Insulation class (IEC 85): F  
 Motor protec: NONE  
 Thermal protec: external  
 Built-in temp. transmitter: yes  
 Motor No: 79195407

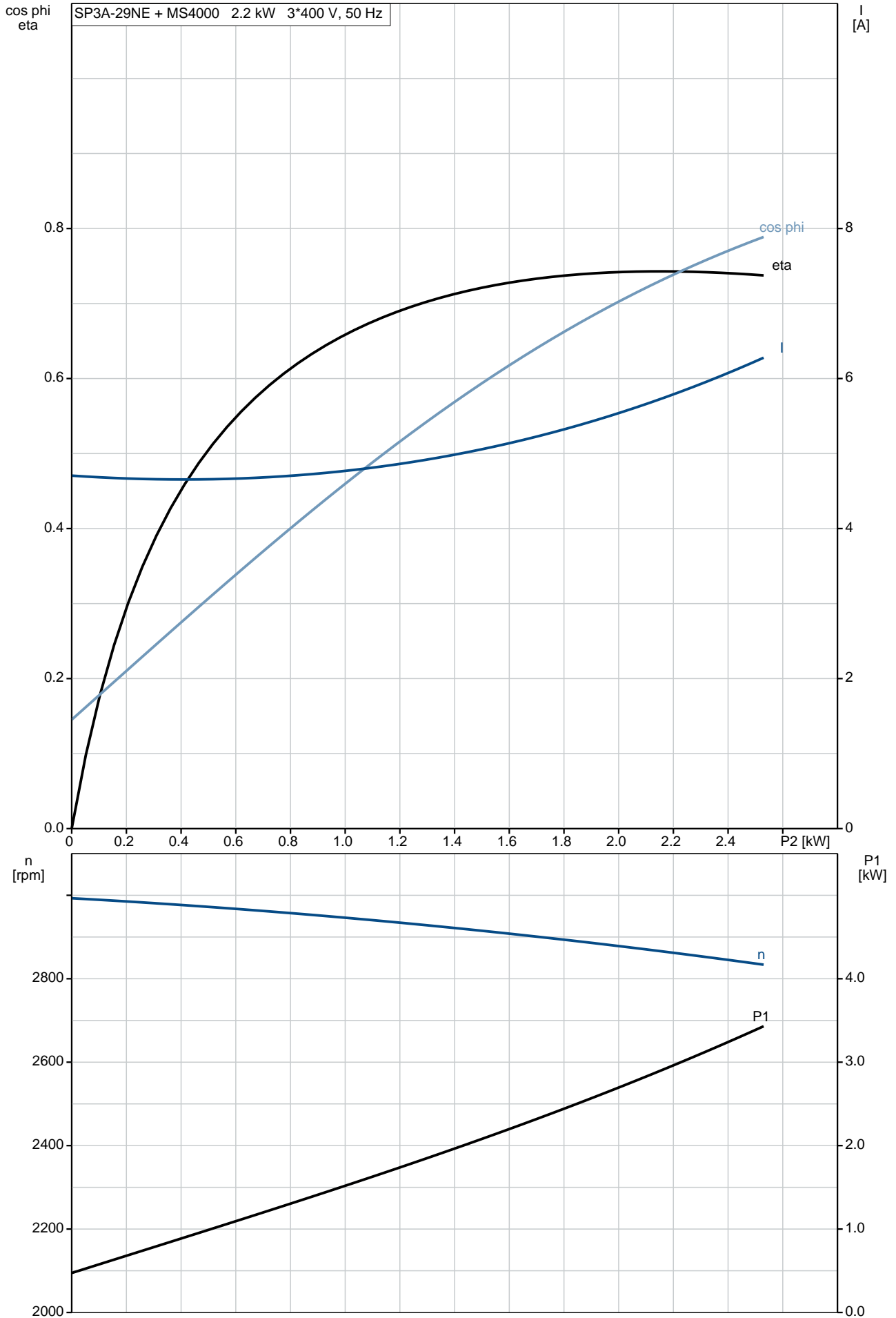
**Others:**

Minimum efficiency index, MEI : 0.70  
 Net weight: 30.8 kg  
 Danish VVS No.: 388314290

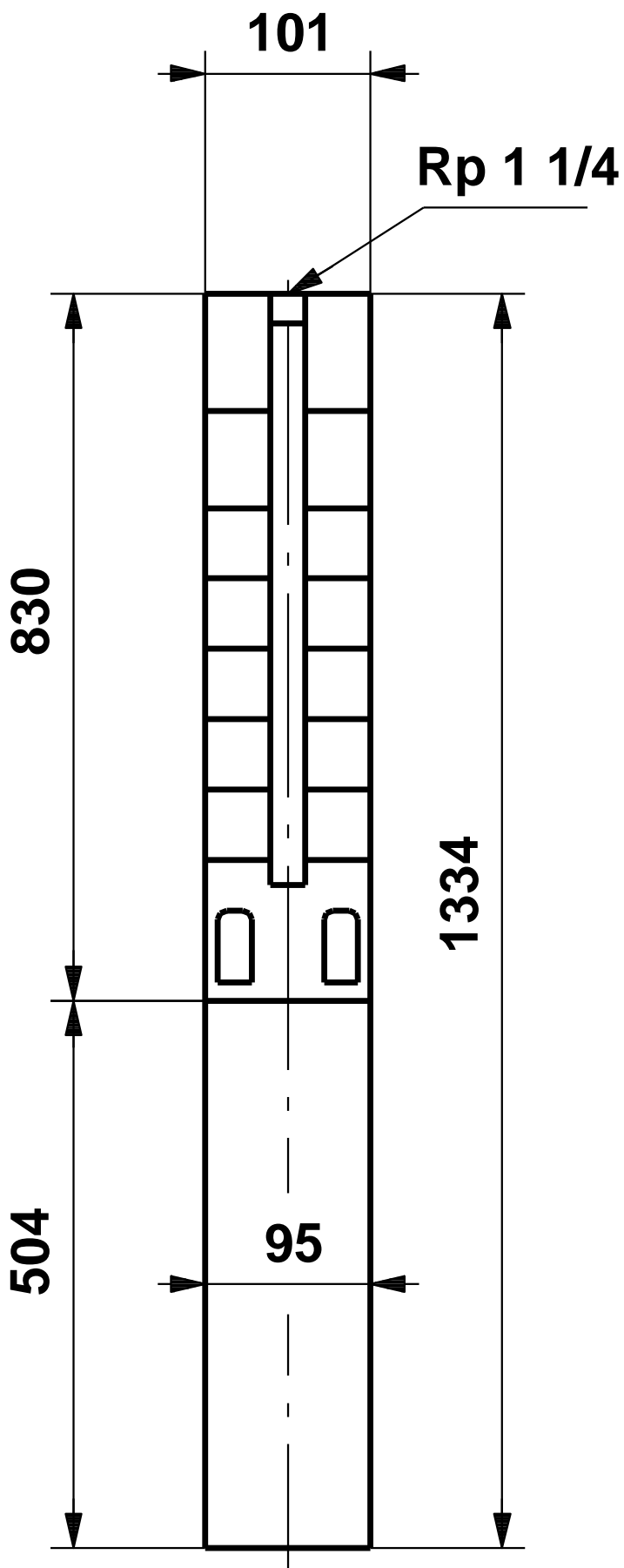


# On request SP 3A-29NE 50 Hz

SP3A-29NE + MS4000 2.2 kW 3\*400 V, 50 Hz

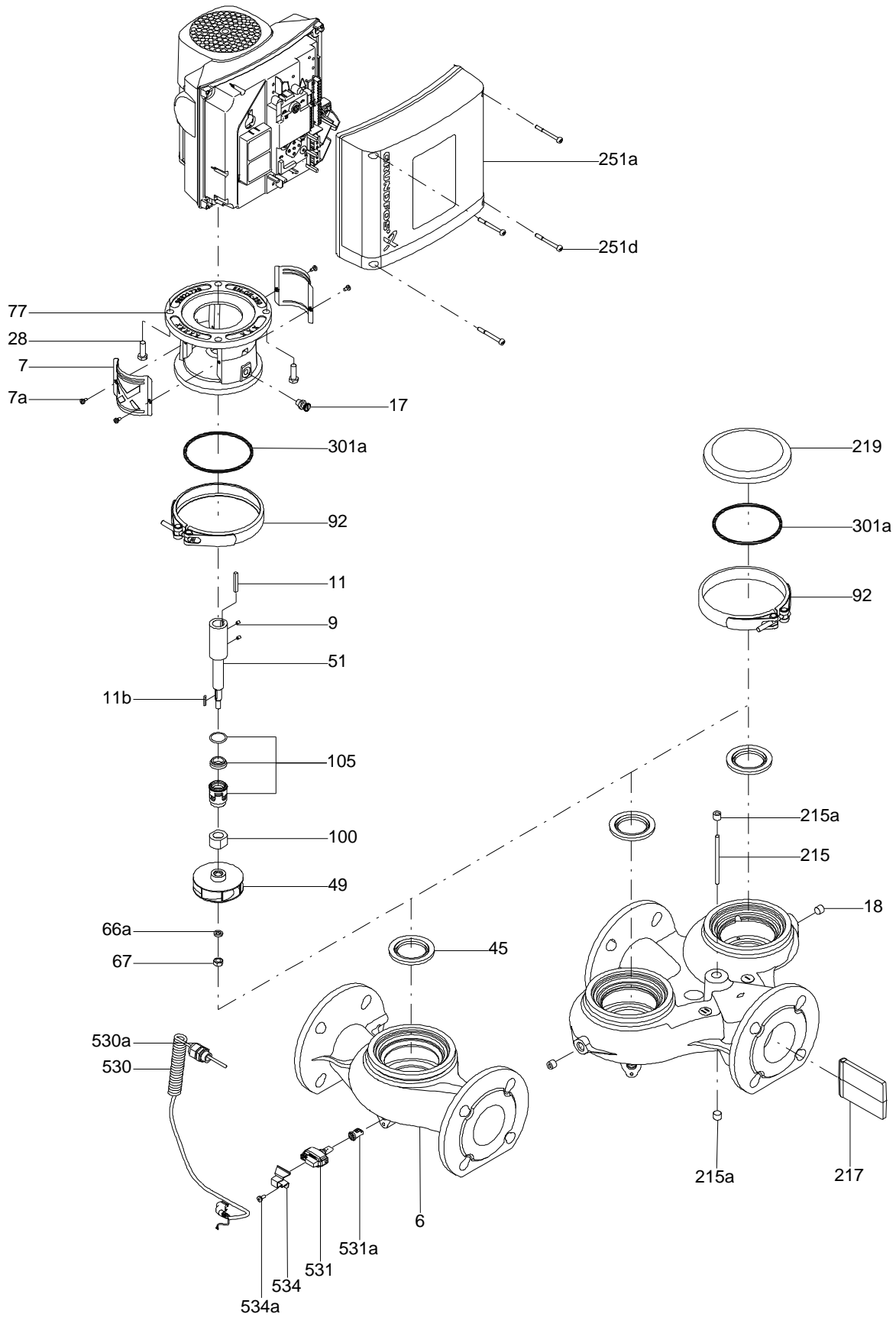


On request SP 3A-29NE 50 Hz



Note! All units are in [mm] unless others are stated.  
Disclaimer: This simplified dimensional drawing does not show all details.

**Exploded view**



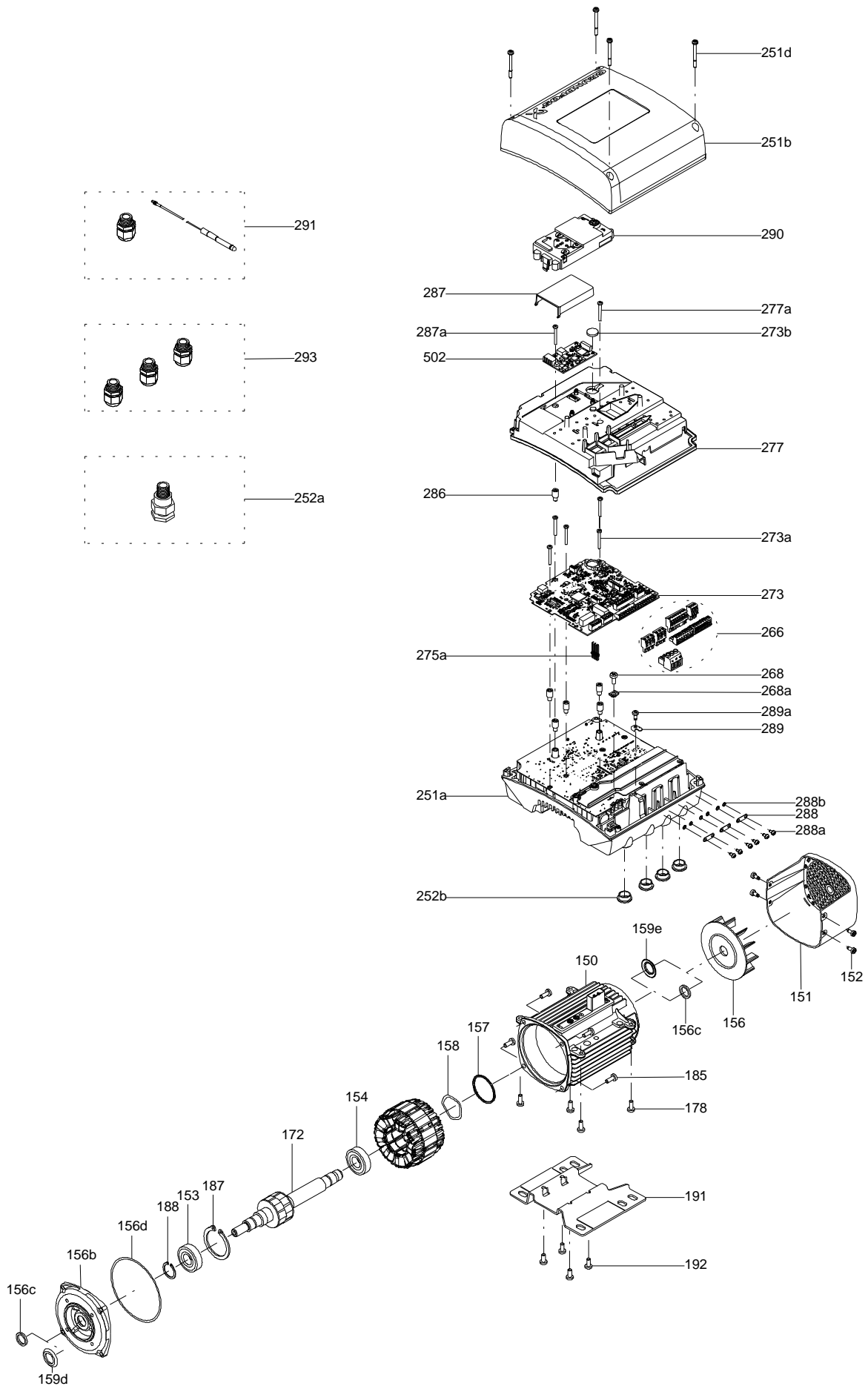


Sectional drawing (TM058200 for TPE2,TPE3)



TM058200

Exploded view ( TM057026 for MGE model H/I )



**Parts list SP 3A-29NE, Product No. On request**  
**Valid from 18.4.1995 (9516)**

Pos	Description	Annotation	Données de classification	Référence	Quantité	Unité
-	Pump w/o motor				1	pcs
	Stop ring				3	
	Retainer				1	
- 1	Valve casing cpl.				1	
	Valve casing				1	
6	Bearing				1	
- 9	Intermediate chamber cpl.				29	
	Chamber				1	
7	Seal ring				1	
- 10	Chamber cpl.				1	
7	Seal ring				1	
- 13a	Impeller cpl.				29	
	Impeller				1	
- 11	Split cone nut				1	
	Split cone nut					
11a	O-ring					
12	Split cone				1	
14	Suction interconnector				1	
15	Strainer				1	
16	Shaft cpl.		Length (mm): 717		1	
17	Strap cpl.		Length (mm): 737		4	
			Thread: M8			
18	Cable guard cpl.				1	
18d	Hex nut				2	
19	Nut				4	
78	Nameplate				1	
-	Motor				1	pcs
1	Stator w/housing				1	
2	Shaft w/rotor				1	
3	Thrust ring support cpl.				1	
4	Radial bearing				1	
5	Bearing pipe				1	
6	Thrust bearing				1	
7	Lock ring				1	
10	Bearing retainer				1	
11	Adjusting screw				1	
12	Diaphragm				1	
13	End shield				1	
15	Nut				1	
16	Lock washer				1	
18	Nut		Thread: M8 DIN 934		1	
21	Nut		Thread: M8 DIN 934		4	
22	Staybolt		Thread: M8 X M8		3	
22a	Staybolt		Thread: M8 X M8 R		1	
22b	Cheese head screw				1	
22c	O-ring		Diameter: 4		1	
			Material type: FKM			
			Thickness: 1			
24	O-ring		Diameter: 40		1	
			Material type: FKM			
			Thickness: 2			
25	Shaft seal housing				1	
27	Spline protector				1	
28	Supporting ring				1	
29	Sand shield				1	
30	Compression spring				1	
31	Supporting ring				1	
32	Shaft seal cpl.				1	
- 34	Shaft seal cpl.				1	

Pos	Description	Annotation	Données de classification	Référence	Quantité	Unité
	Seal ring				1	
	Seal ring, rotating				1	
33	O-ring		Diameter: 16		1	
			Material type: VITON			
			Thickness: 2.5			

*Disclaimer: The information about the Grundfos pump in this document may be outdated.*

*Data may be subject to alterations without further notice.*

*Please contact us to verify the data above is still accurate/up-to-date.*

All information is copyright Grundfos.



[info@lenntech.com](mailto:info@lenntech.com)

<https://www.lenntech.com>

tel. +31 152 610 900

fax. +31 152 616 289