



## Bag Filters

### BAG FILTERS (LOW FLOW)

- Polypropylene thermally welded bag

#### ORDERING INFORMATION

##### LOW FLOW 10"

Size	Micron	Catalog Number
10	1	D1004445
10	5	D1004447
10	10	D1004449
10	25	D1004451
10	50	D1004453
10	100	D1004455
10	200	D1004457

#### ORDERING INFORMATION

##### LOW FLOW 20"

Size	Micron	Catalog Number
20	1	D1004446
20	5	D1004448
20	10	D1004450
20	25	D1004452
20	50	D1004454
20	100	D1004456
20	200	D1004458

### BAG FILTERS

- Available in #1 (7x16.5") and #2 (7x32") sizes
- Stainless steel locking ring
- Choice of polypropylene or polyester felt materials

#### ORDERING INFORMATION

##### Polypropylene Felt

Size	Micron	Catalog Number
P2.....	1	FBWPO1P2S
P2.....	5	FBWPO5P2S
P2.....	10	FBWPO10P2S
P2.....	25	FBWPO25P2S
P2.....	50	FBWPO50P2S
P2.....	100	FBWPO100P2S
P1.....	1	FBWPO1P1S
P1.....	5	FBWPO5P1S
P1.....	10	FBWPO10P1S
P1.....	25	FBWPO25P1S
P1.....	50	FBWPO50P1S
P1.....	100	FBWPO100P1S

##### Polyester Felt

Size	Micron	Catalog Number
P2.....	1	FBWPE1P2S
P2.....	5	FBWPE5P2S
P2.....	10	FBWPE10P2S
P2.....	25	FBWPE25P2S
P2.....	50	FBWPE50P2S
P2.....	100	FBWPE100P2S
P1.....	1	FBWPE1P1S
P1.....	5	FBWPE5P1S
P1.....	10	FBWPE10P1S
P1.....	25	FBWPE25P1S
P1.....	50	FBWPE50P1S
P1.....	100	FBWPE100P1S

### BAG FILTERS (SEWN-CASE QUANTITIES ONLY)

- Polypropylene or polyester

#### ORDERING INFORMATION

##### Polypropylene

Size	Micron	Catalog Number
P2.....	5	FBSP05P2P
P2.....	10	FBSP010P2P
P2.....	25	FBSP025P2P
P2.....	50	FBSP050P2P
P2.....	100	FBSP0100P2P
P1.....	5	FBSP05P1P
P1.....	10	FBSP010P1P
P1.....	25	FBSP025P1P
P1.....	50	FBSP050P1P
P1.....	100	FBSP0100P1P

#### ORDERING INFORMATION

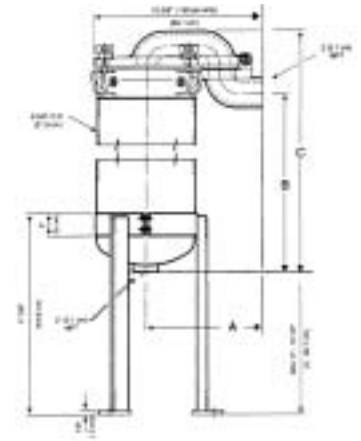
##### Polyester

Size	Micron	Catalog Number
P2.....	5	FBSPE5P2S
P2.....	10	FBSPE10P2S
P2.....	25	FBSPE25P2S
P2.....	50	FBSPE50P2S
P2.....	100	FBSPE100P2S
P1.....	5	FBSPE5P1S
P1.....	10	FBSPE10P1S
P1.....	25	FBSPE25P1S
P1.....	50	FBSPE50P1S
P1.....	100	FBSPE100P1S

# Bag Filter Housings

## STAINLESS STEEL NON-CODE BAG FILTER HOUSINGS\*

- 316SS construction
- BUNA-N O-ring
- 2" NPTF threaded or 2" RF 150lb ANSI flanged
- Available in 65 gpm (size P1) or 125 gpm (size P2) flow rates
- Rated at 150 psi @ 200°F



### ORDERING INFORMATION

	Catalog Number:
P1 . . . . .	FBHFBF111S
P2 . . . . .	FBHFBF112S
P1 (Flng) . . . . .	FBHFBF111SF
P2 (Flng) . . . . .	FBHFBF112SF

## STAINLESS STEEL ASME CODE BAG FILTER HOUSINGS\*

- 316SS construction
- BUNA-A O-ring
- RF 150lb ANSI flanged connections
- Single bag housings available with swing bolt closure
- Multi bag housings have swing bolt spring-assist closure, see flow rates below
- Rated at 150 PSI @ 200°F

### ORDERING INFORMATION

	Size	Flow Rate	Connection	Part Number
1 bag . . . . .	P1	65	2"	FBHTBF111S
1 bag . . . . .	P2	125	2"	FBHTBF112S
3 bag . . . . .	P2	230	3"	FBHF3AV0300001
4 bag . . . . .	P2	400	4"	FBHF3AV0400001
6 bag . . . . .	P2	675	6"	FBHF3AV0600001
8 bag . . . . .	P2	900	8"	FBHF3AV0800001

## Bag Filter Housings



### PLASTIC BAG FILTER HOUSINGS (STANDARD FLOW)

- Heavy duty reinforced polypropylene construction
- Viton® Seals
- 2" NPTF connections
- Available in 50 gpm (size P1) or 100 gpm (size P2) flow rates
- Rated at 150 psi @ 80°F
- Duplex valved A/B bank divert operation

### ORDERING INFORMATION

	<i>Catalog Number:</i>
P1 . . . . .	FBHFLT4201
P2 . . . . .	FBHFLT4202
P1 (duplex) . .	FBHFLT1DUP
P2 (duplex) . .	FBHFLT2DUP

### PLASTIC BAG FILTER HOUSINGS

- Polypropylene construction
- Choice of 10" or 20" housings
- Comes with gauge, wrench and 3/8" drain valve
- Available in 1" and 1 1/2" NPT sizes
- Large Acme thread closure

### ORDERING INFORMATION

	<i>Inlet/Outlet</i>	<i>Flow Rate</i>	<i>Part#</i>
10" . . . . .	1"	15 GPM	D1004442
10" . . . . .	1.5"	20 GPM	D1004443
20" . . . . .	1"	15 GPM	FC150367
20" . . . . .	1.5"	20 GPM	D1004444

**LENNTECH**

info@lennotech.com

www.lennotech.com

Tel. +31-152-610-900

Fax. +31-152-616-289