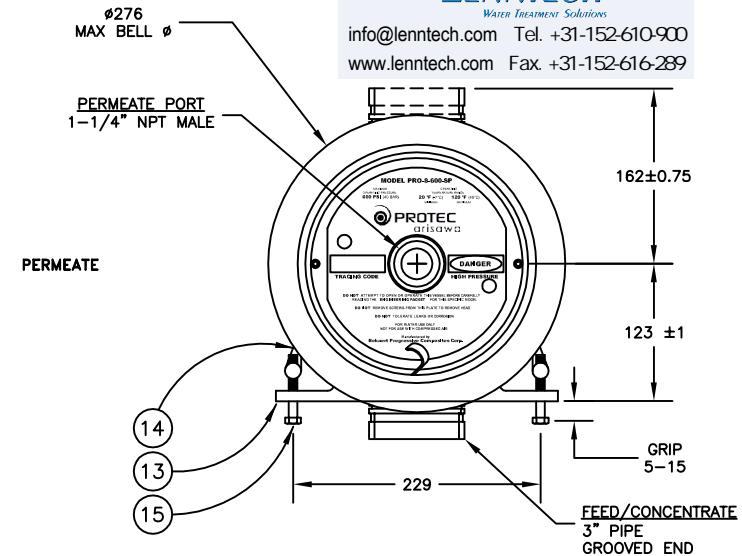
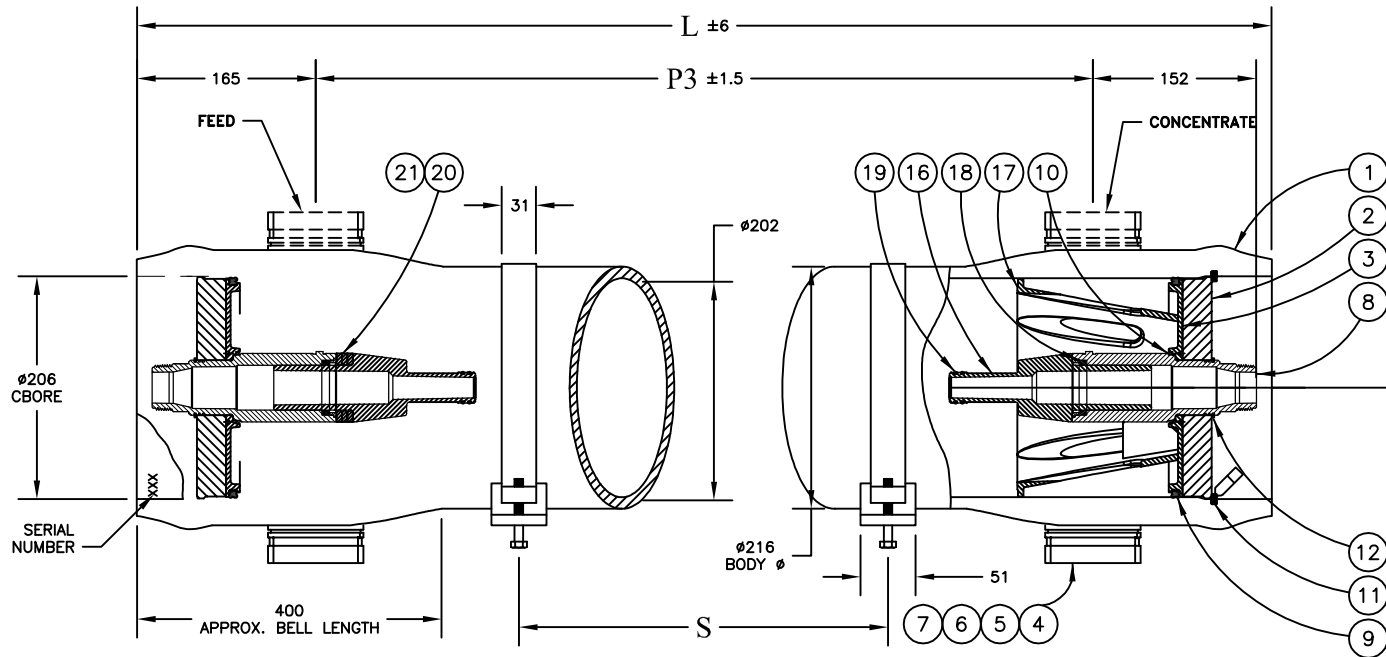


Design Pressure = 600 PSI @ 120 °F
 Min. Design Temperature = 20 °F @ 600 PSI
 Hydrotest Pressure = 660 PSI

600 PSI
 MEGA
 SIDE PORT

LENNTECH
 Water Treatment Solutions

info@lennotech.com Tel. +31-152-610-900
 www.lennotech.com Fax. +31-152-616-289



Shell Length Code	L mm	P mm	S Standard Span mm	Empty Weight kg
-1	1500	1168.4	1@635	55
-1.5	2008	1676.4	1@1067	60
-2	2516	2184.4	1@1422	65
-3	3532	3200.4	1@2032	76
-4	4548	4216.4	2@1626	86
-5	5564	5232.4	2@1981	97
-6	6580	6248.4	2@2337	106
-7	7598	7264.4	2@2692	116
-7.5	8103	7772.4	2@2896	122
-8	8614	8280.4	2@3048	127

ITEM	QTY	P/N	DESCRIPTION	MATERIAL
1	1	4080238	Shell	Filament Wound, Epoxy FRP
2	2	4080032	Bearing Plate	6061-T6 Aluminum, Hard Anodized
3	2	4080177-3	Sealing Plate	Noryl
4	2	4080240	Feed/Concentrate Port 3", "K"	Stainless Steel,316L
5	2	6121343	Retaining Ring, F/C Port 3", "K"	Stainless Steel,316L
6	2	6121373	Retaining Ring, F/C Port 3", "K"	Stainless Steel,316L
7	2	6180340N	Seal, F/C Port 3", "K"	Ethylene Propylene
8	2	4080309	Permeate Port	Noryl
9	2	610442MK	Head Seal	Ethylene Propylene
10	2	6180229N	Permeate Port Seal	Ethylene Propylene
11	2	4080320	Retaining Ring w/ Finger Pull	Stainless Steel,316L
12	2	6121200	Retaining Ring, Permeate Port	Stainless Steel,316L
13	2*	4080174	Support Saddle	Thermoplastic Rubber
14	2	4080800	Strap Assembly [M8]	Stainless Steel,316L
15	4	6150072	Strap Screw [M8x70mm]	Stainless Steel, A4
16	2	5080074	Membrane Adapter	Noryl
17	1	4080165-1	Thrust Cone	PVC Thermoplastic
18	2	6180326N	Adapter Seal	Ethylene Propylene
19	4	6180119N	PWT Seal	Ethylene Propylene
20	2	4080062-4	Shim, Adapter [5mm]	Noryl
21	2	4080704	Shim, Adapter [2mm]	Noryl

*3 each with shell length -4 and longer

NOTES:
 DIMENSIONS IN MM.
 FOR REFERENCE ONLY, NOT FOR CONSTRUCTION UNLESS CERTIFIED
 SHIMMING OF THE SADDLES MAY BE REQUIRED
 CENTER VESSEL ON 2 SUPPORTS AT SPAN(S) "S". OPTIONAL 3 POINT SUPPORT QUOTED SEPARATELY FOR SHELL LENGTHS -4 AND LONGER.
 INCORRECT MANIFOLDING WILL CAUSE SEVERE LOCAL STRESS AROUND PORT AND MAY RESULT IN LEAKS AND PREMATURE FAILURE. TAKE EVERY PRECAUTION LISTED IN THIS PACKET.
 INTERNAL PERMEATE PRESSURE MUST NOT EXCEED 125 PSI.
 ASME SECTION X, RP CODE STAMP OPTIONAL
 SPECIFICATIONS SUBJECT TO CHANGE WITHOUT NOTICE

PROTEC
 arisawa

PRO 8-600-MSP

ENGR
 BOA
 27/11/15
 QLTY
 AL
 27/11/15
 MRKT
 GCM
 27/11/15

ECO	REVISED	DRAWING	REV
15082	27/11/15	101024	R