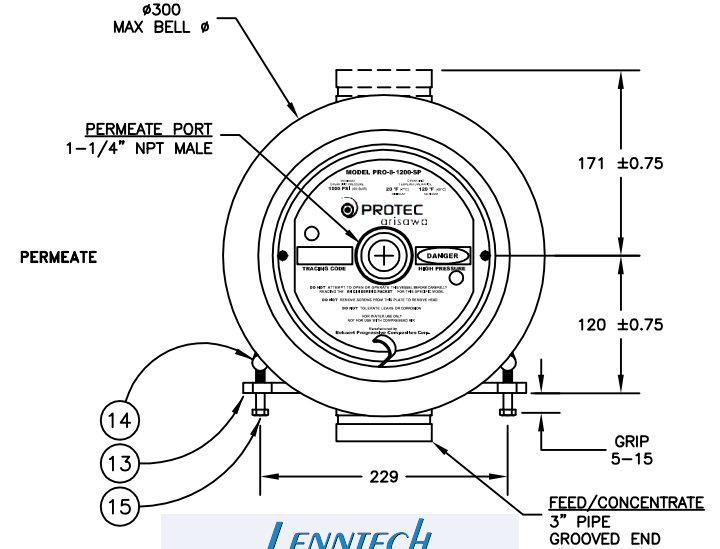
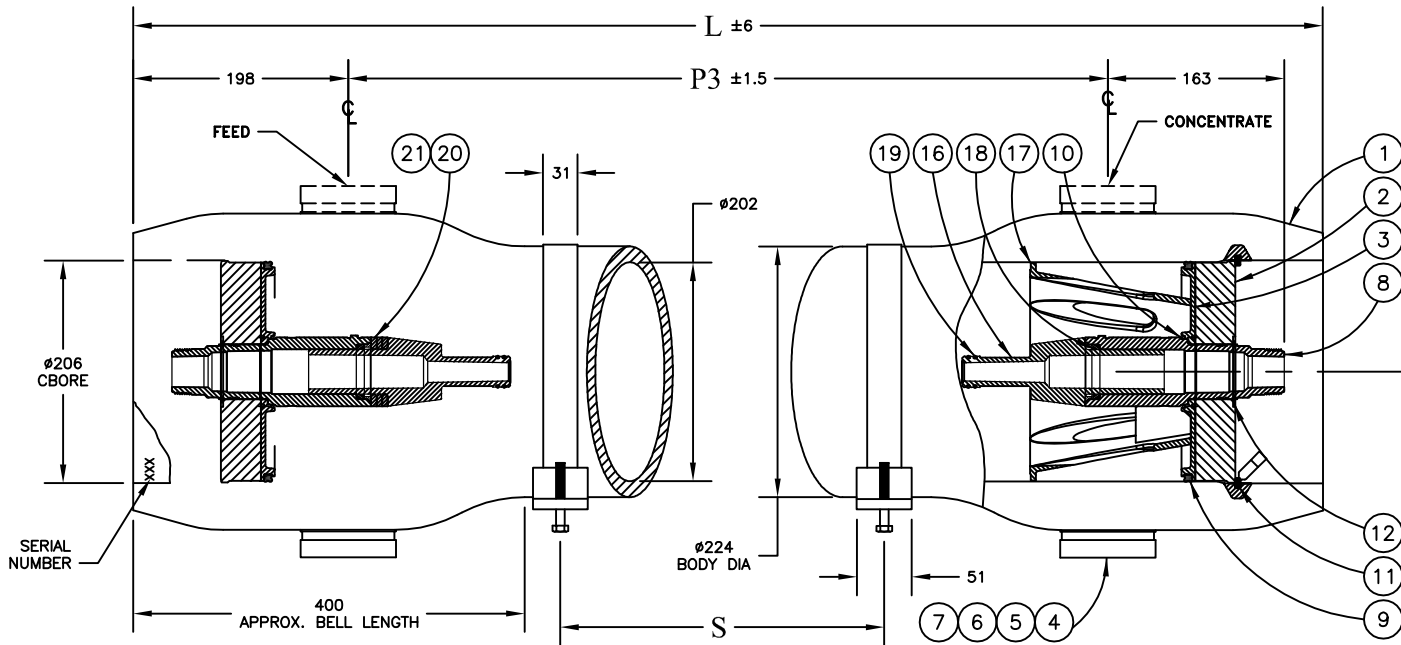


Design Pressure = 1200 PSI @ 120 °F  
 Min. Design Temperature = 20 °F @ 1200 PSI  
 Hydrotest Pressure = 1320 PSI

**1200 PSI**  
 MEGA  
 SIDE PORT



**LENNTech**  
 WATER TREATMENT SOLUTIONS

info@lenntech.com Tel. +31-152-610-900  
 www.lenntech.com Fax +31-152-616-289

**NOTES:**  
 DIMENSIONS IN MM.  
 FOR REFERENCE ONLY, NOT FOR CONSTRUCTION UNLESS CERTIFIED  
 SHIMMING OF THE SADDLES MAY BE REQUIRED  
 CENTER VESSEL ON 2 SUPPORTS AT SPAN(S) "S". OPTIONAL 3 POINT SUPPORT QUOTED SEPARATELY FOR SHELL LENGTHS -4 AND LONGER.  
 INCORRECT MANIFOLDING WILL CAUSE SEVERE LOCAL STRESS AROUND PORT AND MAY RESULT IN LEAKS AND PREMATURE FAILURE. TAKE EVERY PRECAUTION LISTED IN THIS PACKET.  
 INTERNAL PERMEATE PRESSURE MUST NOT EXCEED 125 PSI.  
 ASME SECTION X, RP CODE STAMP OPTIONAL  
 SPECIFICATIONS SUBJECT TO CHANGE WITHOUT NOTICE

**PROTEC**  
 arisawa

**PRO-8-1200-MSP**

ENGR  
 BOA  
 21/10/16  
 QLT  
 AL  
 21/10/16  
 MRKT  
 GCM  
 21/10/16

ECO	REVISED	DRAWING	REV
15082	12/06/17	101025	Q

ITEM	QTY	P/N	DESCRIPTION	MATERIAL
1	1	4080239	Shell	Filament Wound, Epoxy FRP
2	2	4080723	Bearing Plate	6061-T6 Aluminum, Hard Anodized
3	2	4080177-3	Sealing Plate	Noryl
4	2	4080214	Feed/Concentrate Port 3", "K"	SST Super Duplex
5	2	6121373	Retaining Ring, F/C Port 3", "K"	Stainless Steel, 316L
6	2	6180340N	O-Ring, F/C Port 3", "K"	Ethylene Propylene
7	2	6121343	Retaining Ring, F/C Port	Stainless Steel, 316L
8	2	4080308	Permeate Port	Noryl
9	2	610442MK	Head Seal	Ethylene Propylene
10	2	6180229N	Permeate Port Seal	Ethylene Propylene
11	2	4080320	Retaining Ring w/ Finger Pull	Stainless Steel, 316L
12	2	6121200	Retaining Ring, Permeate Port	Stainless Steel, 316L
13	2*	4080175	Support Saddle	Thermoplastic Rubber
14	2	4080800	Strap Assembly [M8]	Stainless Steel, 316L
15	4	6150072	Strap Screw [M8x70mm]	Stainless Steel A4
16	2	5080074	Membrane Adapter	Noryl
17	1	4080165-1	Thrust Cone	PVC Thermoplastic
18	2	6180326N	Adapter Seal	Ethylene Propylene
19	4	6180119N	PWT Seal	Ethylene Propylene
20	2	4080062	Shim, Adapter [5mm]	Noryl
21	2	4080704	Shim, Adapter [2mm]	Noryl

\*3 each with shell length -4 and longer

Shell Length Code	L mm	P3 mm	S Standard Span mm	Empty Weight kg
-1	1565	1168.4	1@635	81
-1.5	2073	1676.4	1@1067	90
-2	2581	2184.4	1@1422	98
-3	3597	3200.4	1@2032	115
-4	4613	4216.4	2@1626	131
-5	5629	5232.4	2@1981	148
-6	6645	6248.4	2@2337	166
-7	7663	7264.4	2@2692	182
-7.5	8171	7772.4	2@2896	191
-8	8679	8280.4	2@3048	199