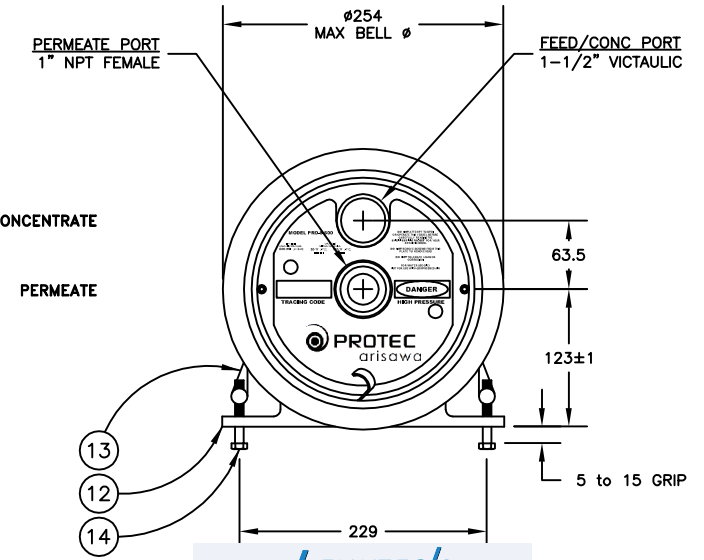
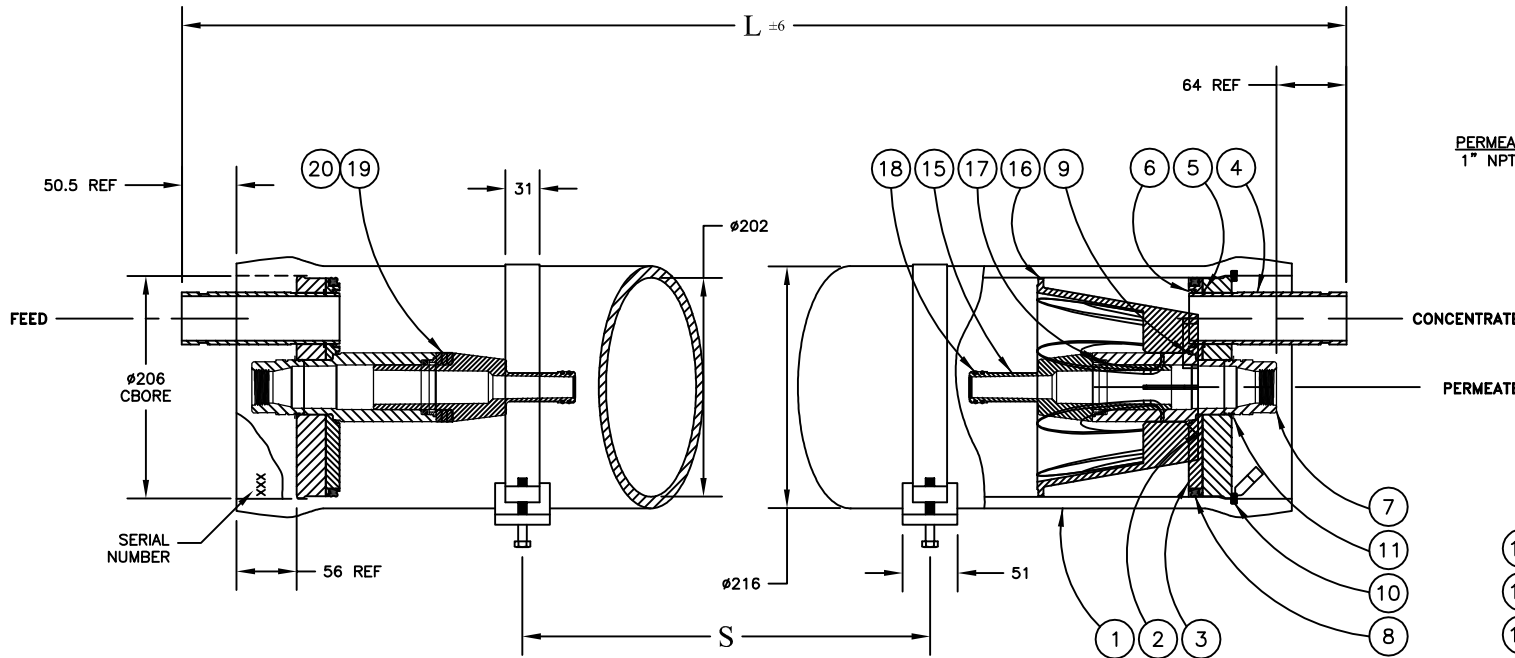


Design Pressure = 600 PSI @ 120 °F
 Min. Design Temperature = 20 °F @ 600 PSI
 Hydrotest Pressure = 660 PSI

600 PSI
 END PORT



Shell Length Code	L (mm)	S Span (mm)	Empty Weight (kg)
-1	1601	1@635	29
-1.5	2109	1@1067	34
-2	2617	1@1422	39
-3	3633	1@2032	50
-4	4649	2@1626	60
-5	5665	2@1981	70
-6	6681	2@2337	80
-7	7699	2@2692	90
-7.5	8207	2@2896	95
-8	8715	2@3048	100

ITEM	QTY	P/N	DESCRIPTION	MATERIAL
1	1	4080004	Shell	Filament Wound, Epoxy FRP
2	2	4080031	Bearing Plate	6061-T6 Aluminum, Hard Anodized
3	2	4080752	Sealing Plate	Noryl
4	2	4080011-1	Feed/Concentrate Port	Stainless Steel, 316L
5	2	6121187	Retaining Ring, F/C Port	Stainless Steel, 316L
6	2	6110225N	Seal, F/C Port	Ethylene Propylene
7	2	4080289	Permeate Port	Noryl
8	2	610442MK	Head Seal	Ethylene Propylene
9	2	6180229N	Permeate Port Seal	Ethylene Propylene
10	2	4080320	Retaining Ring w/ Finger Pull	Stainless Steel, 316L
11	2	6121200	Retaining Ring, Permeate Port	Stainless Steel, 316L
12	2*	4080174	Support Saddle	Thermoplastic Rubber
13	2	4080800	Strap Assembly [M8]	Stainless Steel, 316L
14	4	6150072	Strap Screw [M8x70mm]	Stainless Steel, A4
15	2	5080049	Membrane Adapter	Noryl
16	1	4080165	Thrust Cone	PVC
17	2	6180326N	Adapter Seal	Ethylene Propylene
18	4	6180119N	PWT Seal	Ethylene Propylene
19	2	4080062-4	Shim, Adapter [2mm]	Noryl
20	2	4080704	Shim, Adapter [5mm]	Noryl

*3 each with shell length -4 and longer

info@lenntech.com Tel. +31-152-610-900
 www.lenntech.com Fax +31-152-616-289

DIMENSIONS IN MM
 FOR REFERENCE ONLY, NOT TO BE USED FOR CONSTRUCTION UNLESS CERTIFIED
 CENTER VESSEL ON 2 OR 3 SUPPORTS AT SPAN(S) "S". 3 SUPPORTS REQUIRED FOR LENGTHS -7 AND OVER
 USER MUST PROVIDE PRESSURE RELIEF AT FEED END.
 INTERNAL PERMEATE PRESSURE MUST NOT EXCEED 125 PSI.
 ASME SECTION X, RP CODE STAMP OPTIONAL
 SPECIFICATIONS SUBJECT TO CHANGE WITHOUT NOTICE



PRO 8-600-EP

ENGR BOA 27/11/15	ECO	REVISED	DRAWING	REV
QLTY AL 27/11/15	15082	12/06/17	101010	N
MRKT GCM 27/11/15				