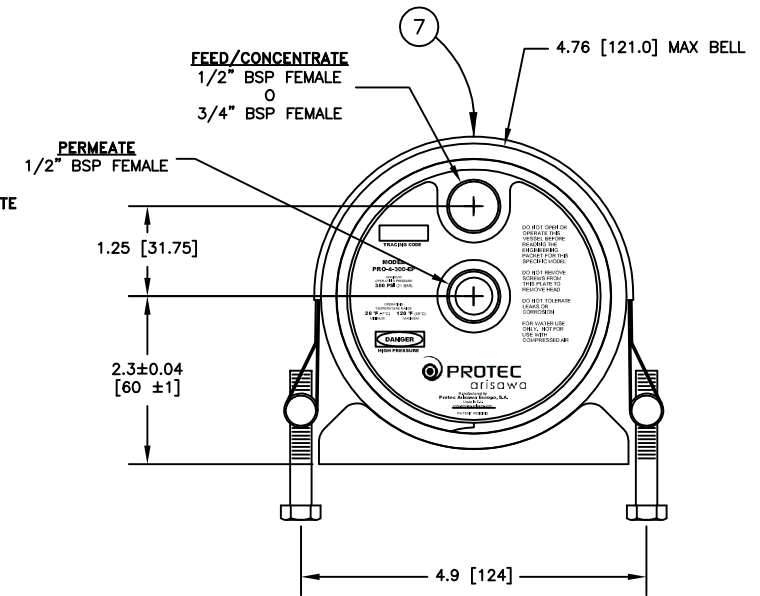
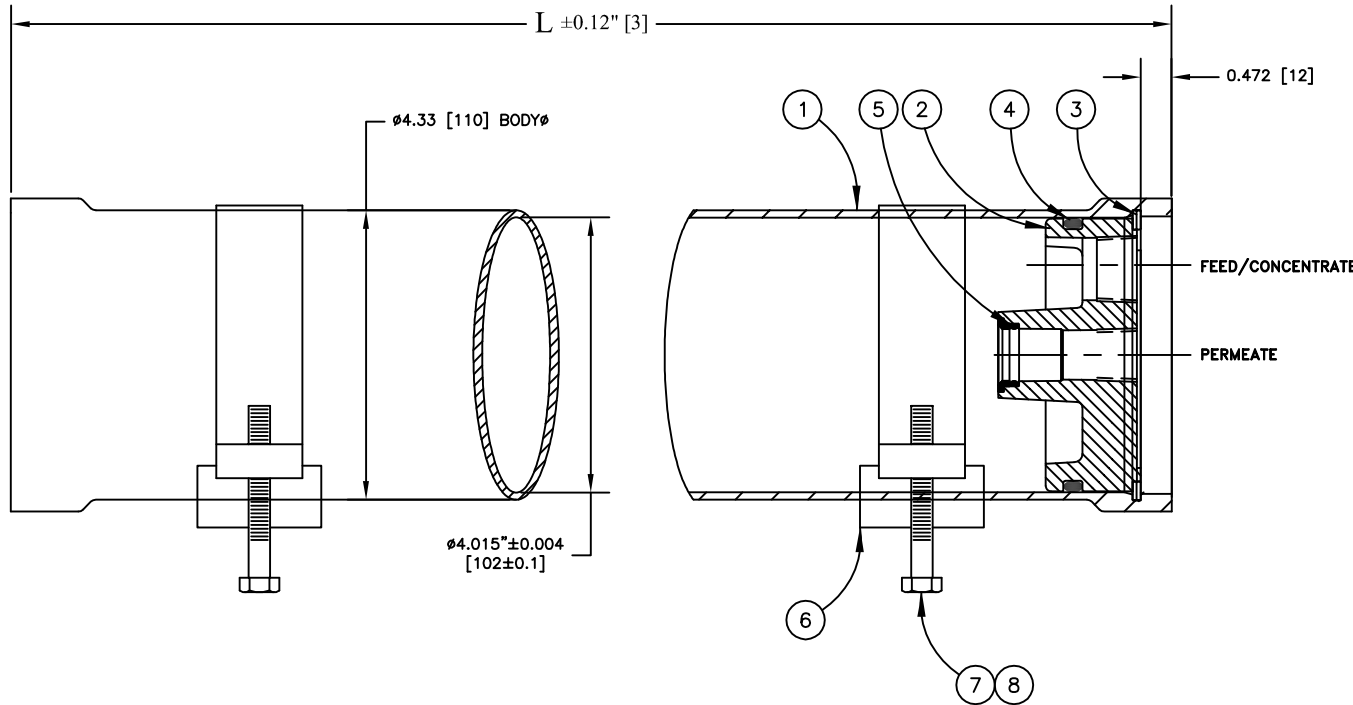


LENNTECH
Water Treatment Solutions

info@lennotech.com Tel. +31-152-610-900
www.lennotech.com Fax. +31-152-616-289

**300 PSI
END PORT**



DIMENSIONS IN Inch (mm).

FOR REFERENCE ONLY, NOT TO BE USED FOR CONSTRUCTION UNLESS CERTIFIED

CENTER VESSEL ON 2 SUPPORTS AT SPAN "S".

INCORRECT MANIFOLDING WILL CAUSE SEVERE LOCAL STRESS AROUND PORT AND MAY RESULT IN LEAKS AND PREMATURE FAILURE. TAKE EVERY PRECAUTION LISTED IN THIS PACKET.

SPECIFICATIONS SUBJECT TO CHANGE WITHOUT NOTICE

PROTEC
arisawa

PRO-4-300-EP

ENGR
LS
2/04/13
QTY
LS
2/04/13
MRKT
BOA
2/04/13

ECO 12194	REVISED 2/04/13	DRAWING 104003	REV M
--------------	--------------------	-------------------	----------

Shell Length Code	L	S	Empty Weight	
	inch (mm)	Span inch (mm)	lb (kg)	lb (kg)
-1x21"	24.37 (619)	1 @ 15 (1 @ 381)	6.6 (3)	6.6 (3)
-1x40"	43.39 (1102)	1 @ 28 (1 @ 711)	11 (5)	11 (5)
-2x40"	83.39 (2118)	1 @ 56 (1 @ 1422)	17.6 (8)	17.6 (8)
-3x40"	123.39 (3134)	1 @ 80 (1 @ 2032)	26.5 (12)	26.5 (12)
-4x40"	163.39 (4150)	2 @ 64 (2 @ 1626)	35.3 (16)	35.3 (16)
-5x40"	203.39 (5166)	2 @ 78 (2 @ 1981)	44 (20)	44 (20)
-6x40"	243.39 (6182)	2 @ 92 (2 @ 2337)	53 (24)	53 (24)

ITEM	QTY	P/N	DESCRIPTION	MATERIAL
1	1	4040070	Shell	Filament Wound, Epoxy FRP
2	2	4040098-4	End Plug, 1/2" BSP Feed	Noryl GFN2
		4040098-3	End Plug, 3/4" BSP Feed	
3	2	4040071	Retaining Ring	Stainless Steel, 316 Series
4	2	6180342-N	Plug Seal	Ethylene Propylene
5	4	6180116-N	PWT Seal	Ethylene Propylene
OPTIONAL VESSEL SUPPORT (NOT INCLUDED IN THE PRICE)				
6	2	4040037	Support Saddle	Thermoplastic Rubber
7	2	4040040	Strap Assembly	Stainless Steel, 316L
8	4	6150013	Strap Screw M8x100	Stainless Steel, A4
		6150001	Strap Screw 0.312-18 UNC x 2.5	