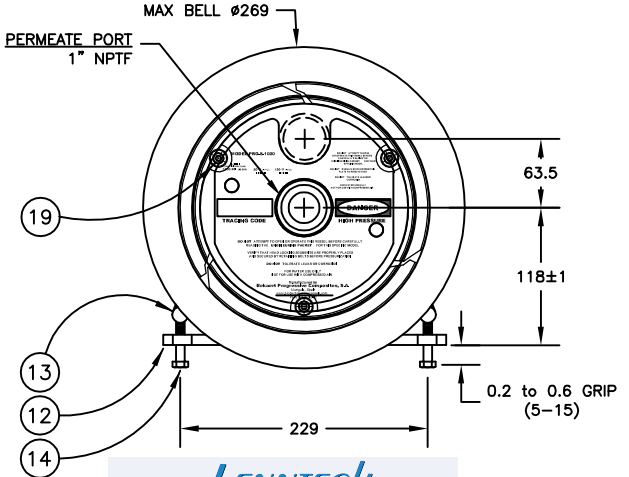
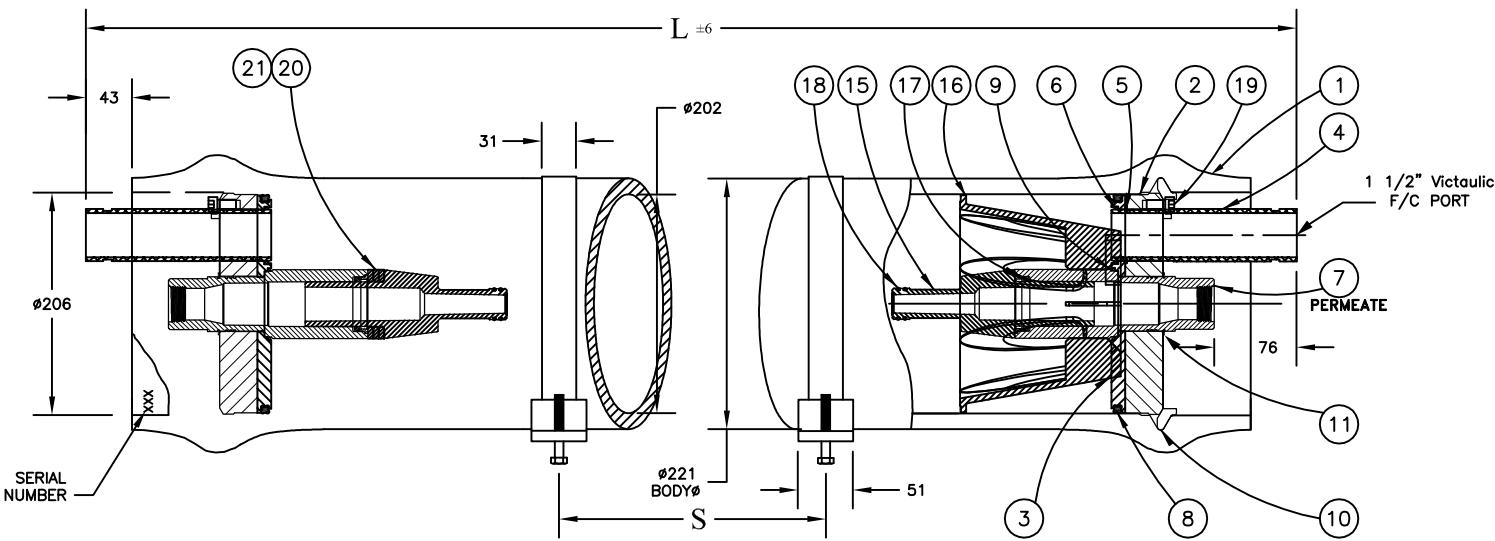


1000 PSI
END PORT



LENTECH
Water Treatment Solutions

info@lentech.com Tel. +31-152-610-900
www.lentech.com Fax. +31-152-616-289

ITEM	QTY	P/N	DESCRIPTION	MATERIAL
1	1	4080531	Shell	Filament Wound, Epoxy FRP
2	2	4080533	Bearing Plate	6061-T6 Aluminum, Anodized
3	2	4080752	Sealing Plate	Noryl
4	2	4080073-1	Feed/Concentrate Port	SST Super Duplex
5	2	6121187	Retaining Ring, F/C Port	Stainless Steel, 316L
6	2	6110225	Seal, F/C Port	Ethylene Propylene
7	2	4080378	Permeate Port	Noryl
8	2	610442MK	Head Seal	Ethylene Propylene
9	2	6180229N	Permeate Port Seal	Ethylene Propylene
10	6	4080474	Locking Segments	Stainless Steel, 316L
11	2	6121200	Retaining Ring, Permeate Port	Stainless Steel, 316L
12	2*	4080175	Support Saddle	Thermoplastic Rubber
13	2	4080800	Strap Assembly [M8]	Stainless Steel, 316L
14	6	6150072	Strap Screw [M8x70mm]	Stainless Steel, A4
15	2	5080074	Adapter	Noryl
16	1	4080165	Thrust Cone	PVC Thermoplastic
17	2	6180326N	Adapter Seal	Ethylene Propylene
18	4	6180119N	PWT Seal	Ethylene Propylene
19	6	6150020	Head Screw [M10x20mm]	Stainless Steel, A4
20	2	4080062-4	Shim, Adapter [5mm]	Noryl
21	2	4080704	Shim, Adapter [2mm]	Noryl

*3 each with shell length -4 and longer

Shell Length Code	L mm	S mm	Empty Weight kg
-1	1651	1 @ 635	39
-1.5	2159	1 @ 1067	46
-2	2667	1 @ 1422	53
-3	3683	1 @ 2032	65
-4	4699	2 @ 1626	79
-5	5715	2 @ 1981	92
-6	6731	2 @ 2337	105
-7	7749	2 @ 2692	118
-7.5	8255	2 @ 2896	125
-8	8765	2 @ 3048	131

NOTES:
FOR REFERENCE ONLY, NOT FOR CONSTRUCTION UNLESS CERTIFIED
SHIMMING OF THE SADDLES MAY BE REQUIRED
CENTER VESSEL ON 2 SUPPORTS AT SPAN(S) "S". OPTIONAL 3 POINT SUPPORT QUOTED SEPARATELY FOR SHELL LENGTHS -4 AND LONGER.
INCORRECT MANIFOLDING WILL CAUSE SEVERE LOCAL STRESS AROUND PORT AND MAY RESULT IN LEAKS AND PREMATURE FAILURE. TAKE EVERY PRECAUTION LISTED IN THIS PACKET.
INTERNAL PERMEATE PRESSURE MUST NOT EXCEED 125 PSI.
ASME SECTION X, RP CODE STAMP OPTIONAL
SPECIFICATIONS SUBJECT TO CHANGE WITHOUT NOTICE

PROTEC
arisawa

BPV-8-1000-EP

ENGR BOA 24/01/17	ECO	REVISED 18/10/17	DRAWING 101049	REV I
QLTY AL 24/01/17	15082			
DRAWN GCM 24/01/17				