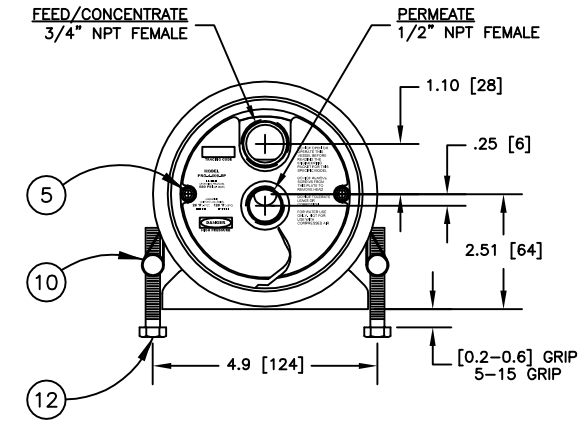
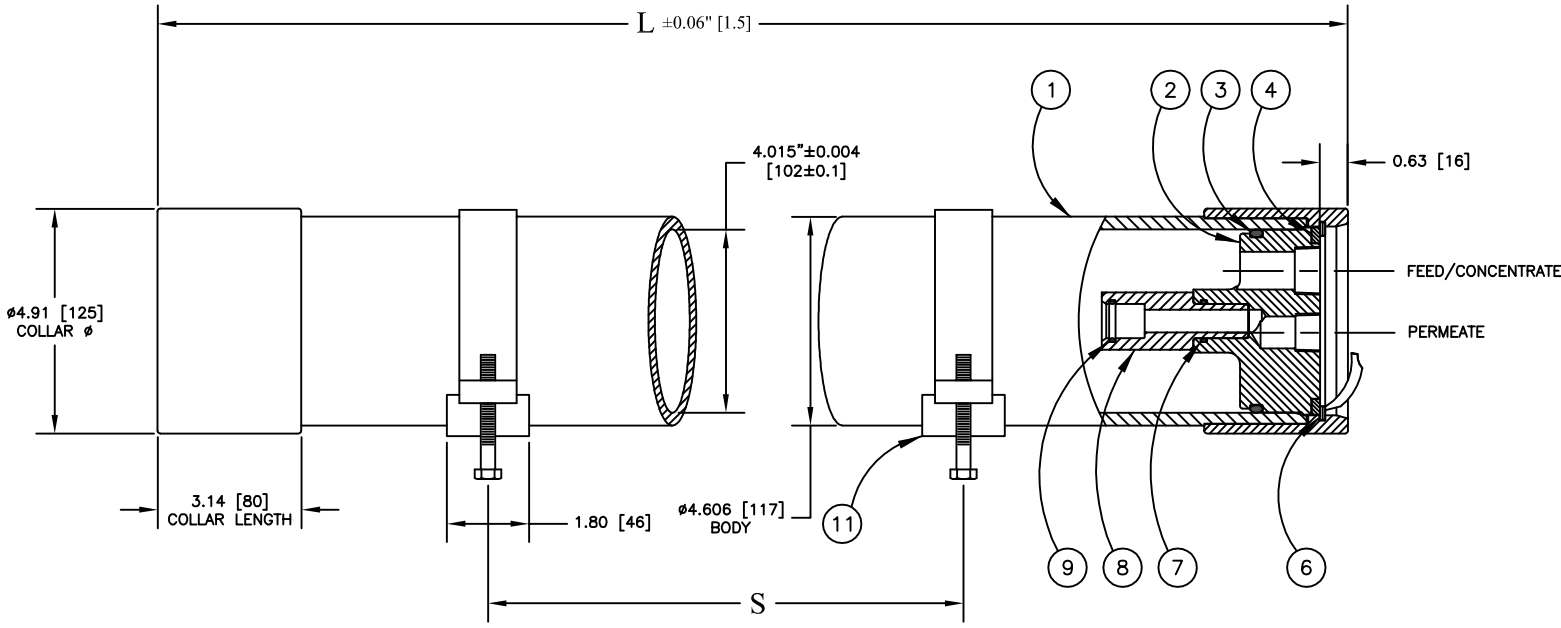


600 PSI
END PORT



LENNTECH
Water Treatment Solutions

info@lenntech.com Tel. +31-152-610-900
www.lenntech.com Fax. +31-152-616-289

NOTES:
DIMENSIONS IN Inch (mm)
FOR REFERENCE ONLY, NOT TO BE USED FOR CONSTRUCTION UNLESS CERTIFIED
INCORRECT MANIFOLDING WILL CAUSE SEVERE LOCAL STRESS AROUND PORT AND MAY RESULT IN LEAKS AND PREMATURE FAILURE. TAKE EVERY PRECAUTION LISTED IN THIS PACKET.
INTERNAL PERMEATE PRESSURE MUST NOT EXCEED 125 PSI.
SPECIFICATIONS SUBJECT TO CHANGE WITHOUT NOTICE

PROTEC
arisawa

PRO 4-600-EP

ENGR
LS
8/05/12
QLTY
MRKT
BOA
8/05/12

ECO 12057	REVISED 04/02/13	DRAWING 104005	REV E
--------------	---------------------	-------------------	----------

ITEM	QTY	P/N	DESCRIPTION	MATERIAL
1	1	3040007	Shell	Filament Wound, Epoxy FRP
2	2	4040054-1	End Plug	PVC Thermoplastic
3	2	6180342-N	Head Seal	Ethylene Propylene
4	2	4040060-1	Bearing Ring	Stainless Steel, 316L
5	4	6150002	Screw, Bearing Ring DIN 912 M5x10	Stainless Steel, A4
6	2	4040048	Retaining Ring w/ Finger Pull	Stainless Steel, 316 Series
7	2	6180116-N	Adapt. O-ring Seal	Ethylene Propylene
8	2	A/R	Adapter	PVC
9	2	A/R	PWT Seal	Ethylene Propylene
10	2	4040040	Strap Assembly	Stainless Steel, 316L
11	2*	4040037	Support Saddle	Thermoplastic rubber
12	4	6150013	Strap Screw M8x100	Stainless Steel, A4
		6150001	Strap Screw 0.312-18 UNC x 2.5	

*3 each with shell length -4 and longer

Shell Length Code	L inch (mm)	S Span inch (mm)	Empty Weight lb (kg)
-1	49.1 (1248)	1 @ 28 (1 @ 711)	15.4 (7)
-2	89.1 (2263)	1 @ 51 (1 @ 1295)	24.2 (11)
-3	129.1 (3280)	1 @ 73 (1 @ 1854)	35.3 (16)
-4	169.1 (4296)	2 @ 64 (2 @ 1626)	44.1 (20)
-5	209.1 (5312)	2 @ 78 (2 @ 1981)	55.1 (25)
-6	249.1 (6328)	2 @ 92 (2 @ 2337)	66.1 (30)