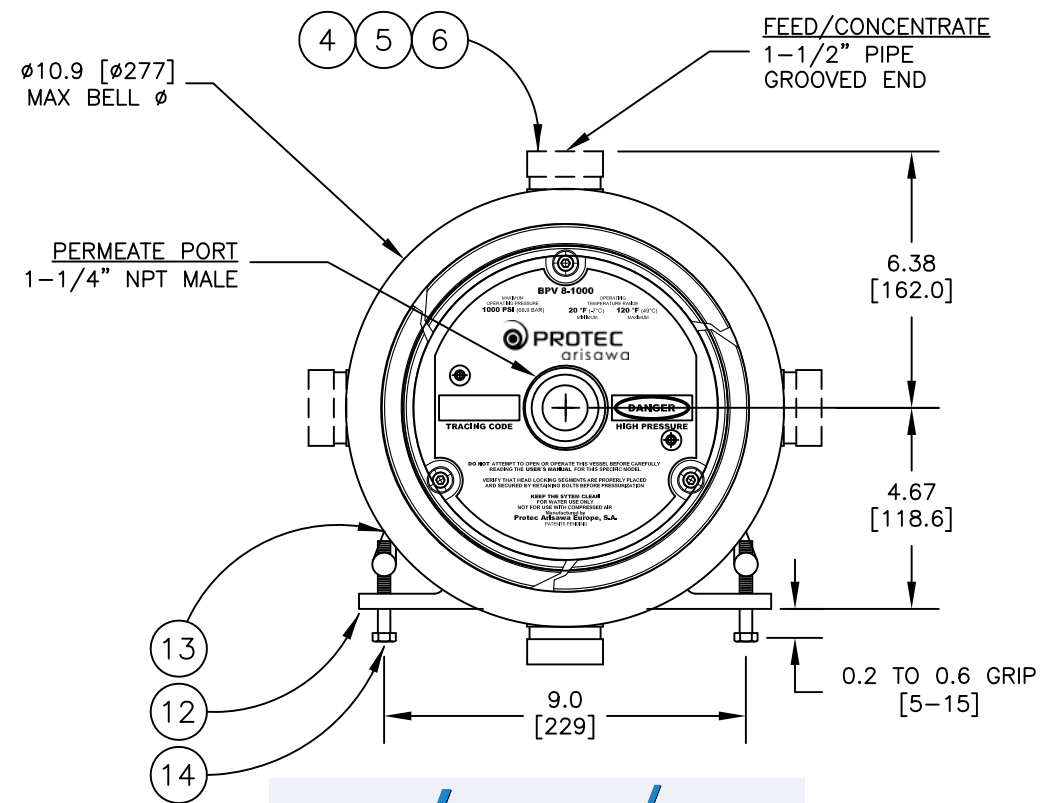
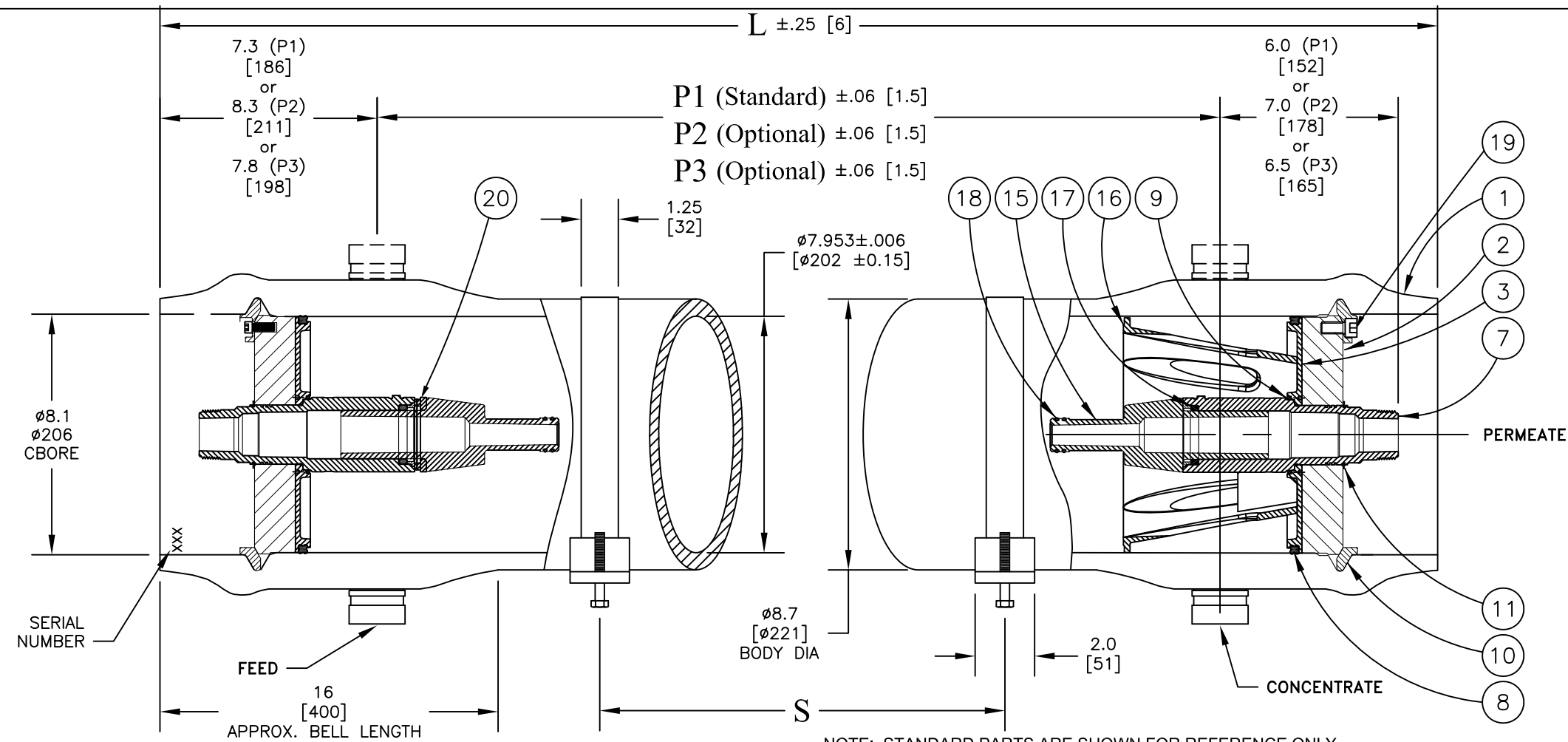


Design Pressure = 1000 PSI @ 120 °F  
 Min. Design Temperature = 20 °F @ 1000 PSI  
 Hydrotest Pressure = 1100 PSI

**1000**  
SIDE PORT



NOTE: STANDARD PARTS ARE SHOWN FOR REFERENCE ONLY  
 CHECK ORIGINAL ORDER FOR ORDERING SPARE PARTS

**LENNTECH**  
 WATER TREATMENT SOLUTIONS  
 info@lennotech.com Tel. +31-152-610-900  
 www.lennotech.com Fax. +31-152-616-289

**NOTES:**  
 DIMENSIONS IN INCHES (MM APPROX.)  
 FOR REFERENCE ONLY, NOT FOR CONSTRUCTION UNLESS CERTIFIED  
 SHIMMING OF THE SADDLES MAY BE REQUIRED  
 CENTER VESSEL ON 2 OR 3 SUPPORTS AT SPAN(S) "S".  
 INCORRECT MANIFOLDING WILL CAUSE SEVERE LOCAL STRESS AROUND PORT AND MAY RESULT IN LEAKS AND PREMATURE FAILURE. TAKE EVERY PRECAUTION LISTED IN THE ENGINEERING PACKET OR USERS MANUAL.  
 INTERNAL PERMEATE PRESSURE MUST NOT EXCEED 125 PSI.  
 ASME SECTION X, 2013  
 RP CODE STAMP OPTIONAL  
 SPECIFICATIONS SUBJECT TO CHANGE WITHOUT NOTICE



**BPV-8-1000-SP**

Shell Length Code	L inch (mm)	P1 Standard inch (mm)	P2 Optional inch (mm)	P3 Optional inch (mm)	S Span inch (mm)	Empty Weight lb (kg)
-1	61.6 [1565]	47 [1194]	45 [1143]	46 [1168]	1 @ 25 [635]	143 [65]
-1.5	81.6 [2073]	67 [1702]	65 [1651]	66 [1676]	1 @ 42 [1067]	159 [72]
-2	101.6 [2581]	87 [2210]	85 [2159]	86 [2184]	1 @ 56 [1422]	172 [78]
-3	141.6 [3597]	127 [3226]	125 [3175]	126 [3200]	1 @ 80 [2032]	201 [91]
-4	181.6 [4613]	167 [4242]	165 [4191]	166 [4216]	2 @ 64 [1626]	231 [105]
-5	221.6 [5629]	207 [5258]	205 [5207]	206 [5232]	2 @ 78 [1981]	258 [117]
-6	261.6 [6645]	247 [6274]	245 [6223]	246 [6248]	2 @ 92 [2337]	289 [131]
-7	301.6 [7661]	287 [7290]	285 [7239]	286 [7264]	2 @ 106 [2692]	315 [143]
-7.5	321.6 [8169]	307 [7798]	305 [7747]	306 [7772]	2 @ 114 [2896]	331 [150]
-8	341.6 [8679]	327 [8306]	325 [8255]	326 [8280]	2 @ 120 [3048]	346 [157]

ITEM	QTY	P/N	DESCRIPTION	MATERIAL
1	1	4080490	Shell	Filament Wound, Epoxy FRP
2	2	4080481	Bearing Plate	6061-T6 Aluminum, Anodized, SB-221
3	2	4080177-3	Sealing Plate	Noryl GFN2
4	2	4080234	Feed/Concentrate Port, 1 1/2", "D"	SST Super Duplex, SA-790
5	4	6121187	Retaining Ring, F/C Port, 1 1/2", "D"	Stainless Steel, 316, SA-479
6	2	6184604-N	O-ring Seal, F/C Port, 1 1/2", "D"	Ethylene Propylene
7	2	4080308	Permeate Port	Noryl GFN2
8	2	6100442MK	Head Seal	Ethylene Propylene
9	2	6110229-N	Permeate Port Seal	Ethylene Propylene
10	2	4080474-1	Locking segment	Stainless Steel, CF8M, SA-351
11	2	6121200	Retaining Ring, Permeate Port	Stainless Steel, 316, SA-479
12	2*	4080175	Support Saddle	Thermoplastic Rubber
13	2	4080137	Strap Assembly	Stainless Steel, 316
14	4	6150001	Strap Screw	Stainless Steel, 18-8
15	2	A/R	Membrane Adapter	Noryl GFN2
16	1	4080165-1	Thrust Cone	PVC Thermoplastic
17	2	6180326-N**	Adapter Seal	Ethylene Propylene
18	4	A/R	PWT Seal	Ethylene Propylene
19	6	6150048	Head Screw	Stainless steel, A4
20	3	4080062-4	Shim, Adapter	Noryl GFN2

\*3 each with shell length -4 and longer  
 \*\*6180221-N when Permeate Port is not Noryl

ENGR LSV 10/04/13	ECO	REVISED 10/04/13	DRAWING 101043	REV D
QLTY LS 10/04/13	12056			
MRKT BOA 10/04/13				