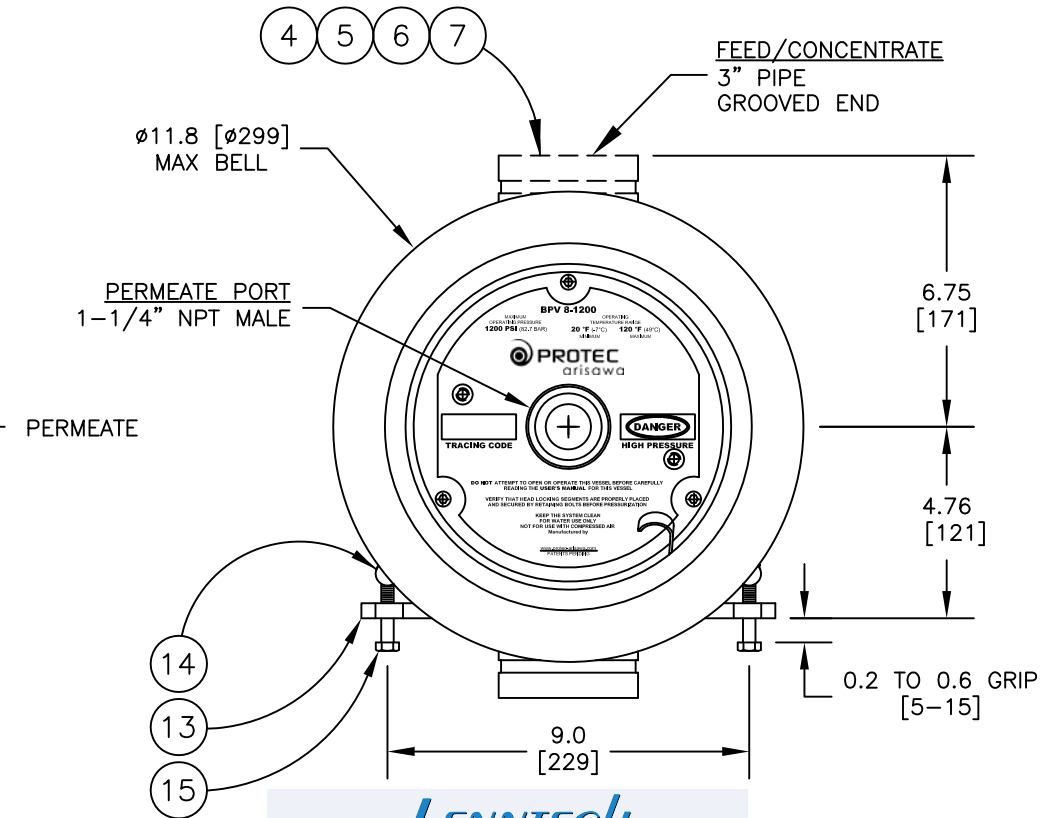
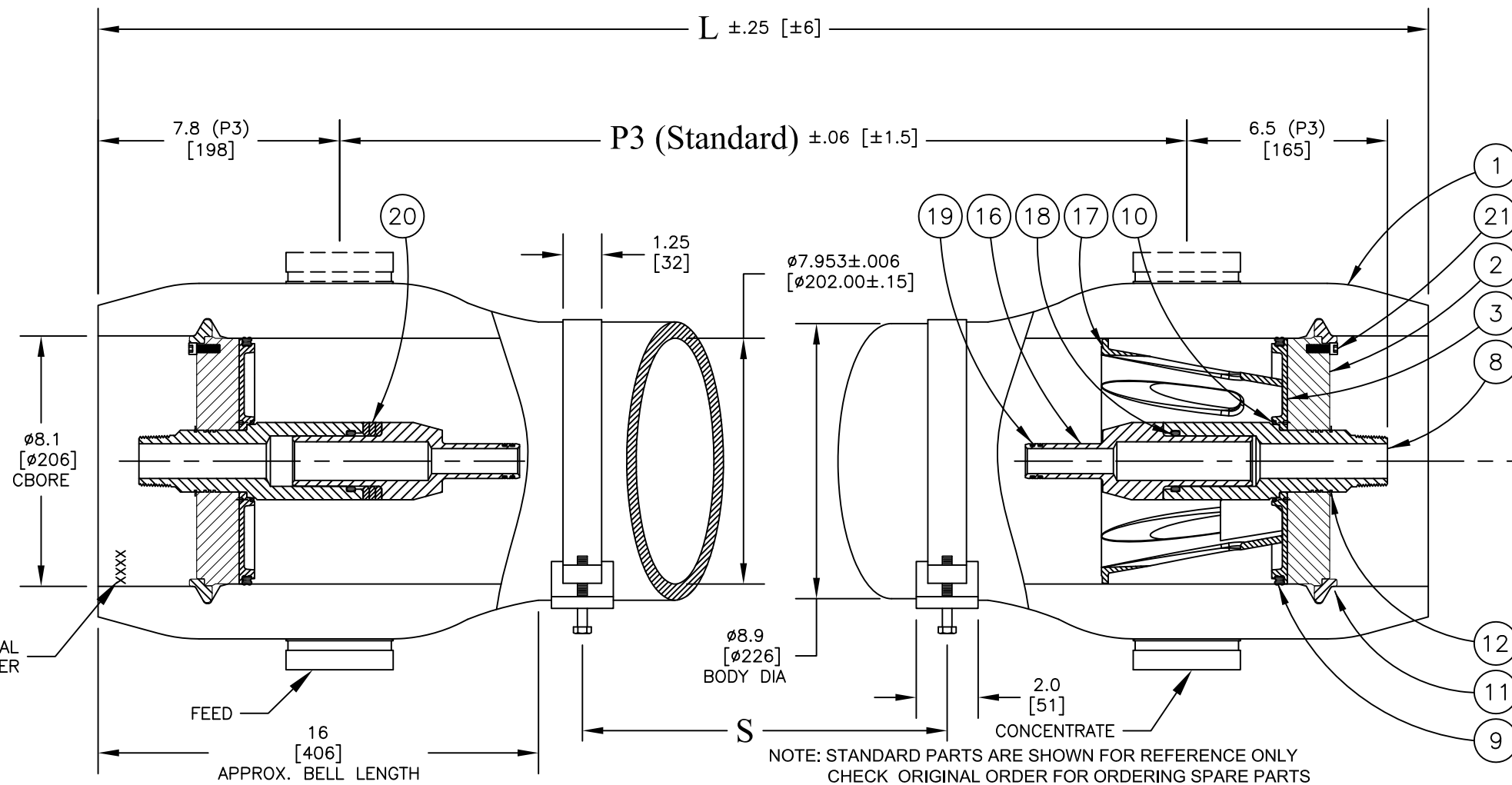


Design Pressure = 1200 PSI @ 120 °F
 Min. Design Temperature = 20 °F @ 1200 PSI
 Hydrotest Pressure = 1320 PSI

1200 PSI
 MEGA
 SIDE PORT



LENNTECH
 WATER TREATMENT SOLUTIONS

info@lennotech.com Tel. +31-152-610-900
 www.lennotech.com Fax +31-152-616-289

NOTES:
 DIMENSIONS IN INCHES (MM APPROX.)
 FOR REFERENCE ONLY, NOT FOR CONSTRUCTION UNLESS CERTIFIED
 SHIMMING OF THE SADDLES MAY BE REQUIRED
 CENTER VESSEL ON 2 OR 3 SUPPORTS AT SPAN(S) "S".
 INCORRECT MANIFOLDING WILL CAUSE SEVERE LOCAL STRESS AROUND PORT AND MAY RESULT IN LEAKS AND PREMATURE FAILURE. TAKE EVERY PRECAUTION LISTED IN THE ENGINEERING PACKET OR USERS MANUAL.
 INTERNAL PERMEATE PRESSURE MUST NOT EXCEED 125 PSI.
 ASME SECTION X
 RP CODE STAMP OPTIONAL
 SPECIFICATIONS SUBJECT TO CHANGE WITHOUT NOTICE

PROTEC
 arisawa

www.protec-arisawa.com

BPV 8-1200-MSP

APPROVED EB 10/8/08	ECO	REVISED 8/31/16	DRAWING 101039	REV C
CHECKED EB 10/8/08	08244			
DRAWN L. ANGUIANO 10/8/08				

ITEM	QTY	P/N	DESCRIPTION	MATERIAL
1	1	4080536	Shell	Filament Wound, Epoxy FRP
2	2	4080481	Bearing Plate	6061-T6 Aluminum, Anodized
3	2	4080177-3	Sealing Plate	Noryl GFN2
4	2	4080214	Feed/Concentrate Port, 3", "K"	SST Super Duplex
5	2	6121373	Retaining Ring, F/C Port, 3", "K"	Stainless Steel, 316
6	2	6180340-N	O-Ring Seal, F/C Port, 3", "K"	Ethylene Propylene
7	2	6121343	Retaining Ring, F/C Port, 3", "K"	Stainless Steel, 316
8	2	4080308	Permeate Port	Noryl GFN2
9	2	6100442MK	Head Seal	Ethylene Propylene
10	2	6110229-N	Permeate Port Seal	Ethylene Propylene
11	6	4080474-1	Locking Segments	Stainless Steel, 316
12	2	6121200	Retaining Ring, Permeate Port	Stainless Steel, 316
13	2*	4080175	Support Saddle	Thermoplastic Rubber
14	2	4080137	Strap Assembly	Stainless Steel, 316
15	4	6150001	Strap Screw	Stainless Steel, 18-8
16	2	A/R	Adapter	Thermoplastic
17	1	4080165-1	Thrust Cone	PVC Thermoplastic
18	2	6180326-N	Adapter Seal	Ethylene Propylene
19	A/R	A/R	PWT Seal	Ethylene Propylene
20	3	4080062-4	Shim, Adapter	Noryl GFN2
21	6	6150048	Head Screw	Stainless Steel, 18-8

*3 each with shell length -4 and longer

Shell Length Code	L inch (mm)	P3 Standard inch (mm)	S Standard in [mm]	Empty Weight lb [kg]
-1	61.6 [1565]	46 [1168.4]	1 @ 28 [711]	187 [85]
-1.5	81.6 [2073]	66 [1676.4]	1 @ 42 [1067]	207 [94]
-2	101.6 [2581]	86 [2184.4]	1 @ 56 [1422]	220 [100]
-3	141.6 [3597]	126 [3200.4]	1 @ 80 [2032]	262 [119]
-4	181.6 [4613]	166 [4216.4]	2 @ 64 [1626]	298 [135]
-5	221.6 [5629]	206 [5232.4]	2 @ 78 [1981]	333 [151]
-6	261.6 [6645]	246 [6248.4]	2 @ 92 [2337]	373 [169]
-7	301.6 [7663]	286 [7264.4]	2 @ 106 [2692]	410 [186]
-7.5	321.6 [8171]	306 [7772.4]	2 @ 114 [2896]	428 [194]
-8	341.6 [8679]	326 [8280.4]	2 @ 120 [3048]	445 [202]