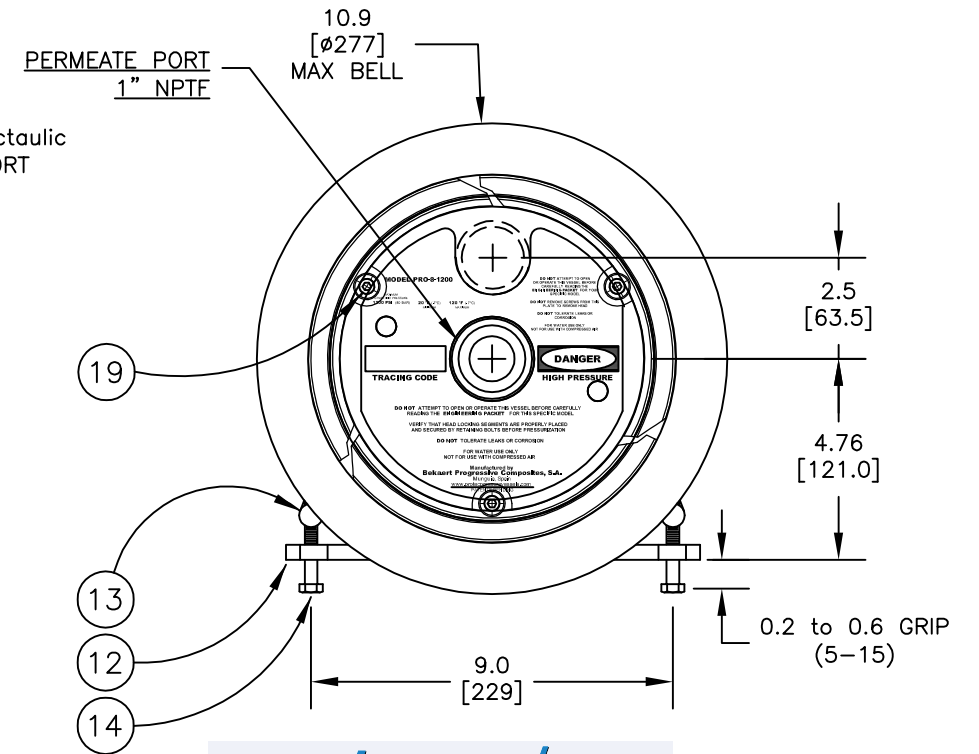
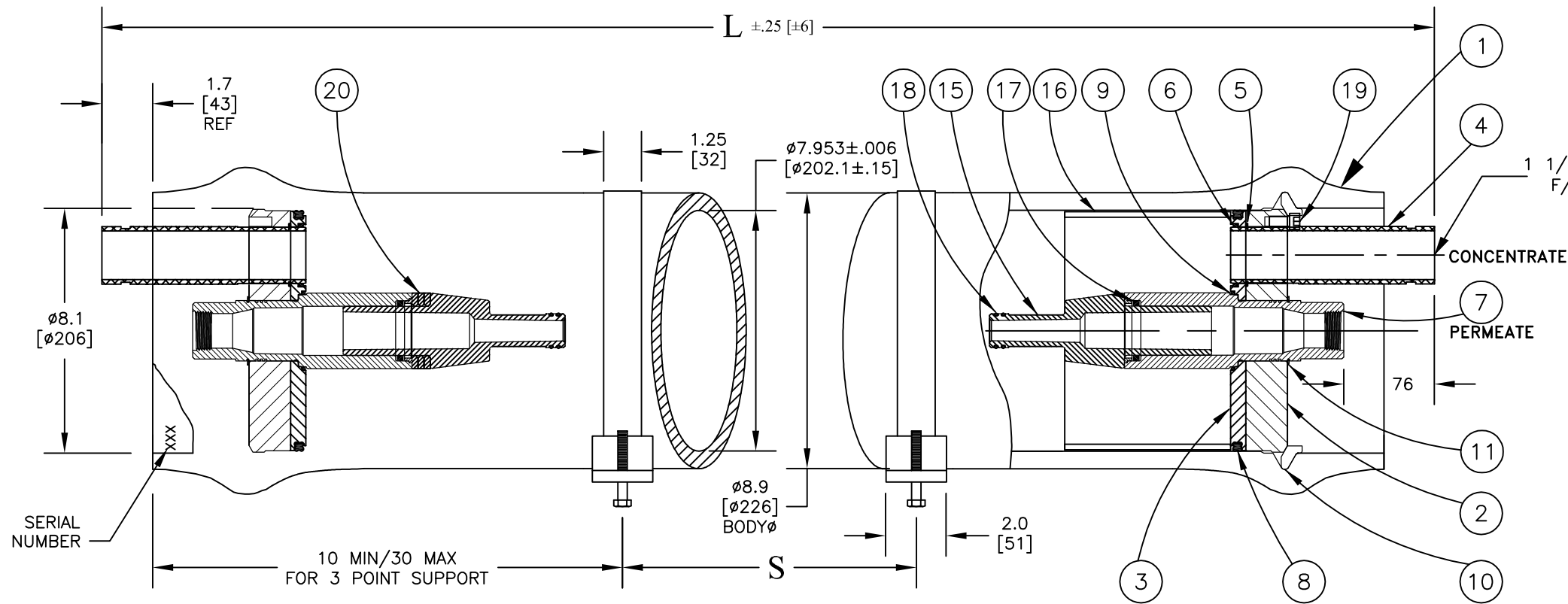


1200 PSI  
END PORT



**LENNTECH**  
Water Treatment Solutions

info@lennotech.com Tel. +31-152-610-900  
www.lennotech.com Fax +31-152-616-289

**NOTES:**

- FOR REFERENCE ONLY, NOT FOR CONSTRUCTION UNLESS CERTIFIED
- SHIMMING OF THE SADDLES MAY BE REQUIRED
- CENTER VESSEL ON 2 SUPPORTS AT SPAN(S) "S". OPTIONAL 3 POINT SUPPORT QUOTED SEPARATELY FOR SHELL LENGTHS -4 AND LONGER.
- INCORRECT MANIFOLDING WILL CAUSE SEVERE LOCAL STRESS AROUND PORT AND MAY RESULT IN LEAKS AND PREMATURE FAILURE. TAKE EVERY PRECAUTION LISTED IN THIS PACKET.
- INTERNAL PERMEATE PRESSURE MUST NOT EXCEED 125 PSI.
- ASME SECTION X, RP CODE STAMP OPTIONAL
- SPECIFICATIONS SUBJECT TO CHANGE WITHOUT NOTICE



**BPV 8-1200-EP**

ITEM	QTY	P/N	DESCRIPTION	MATERIAL
1	1	4080532	Shell	Filament Wound, Epoxy FRP
2	2	4080533	Bearing Plate	6061-T6 Aluminum, SB-221, Anodized
3	2	4080065-1	Sealing Plate	PVC Thermoplastic
4	2	4080231	Feed/Concentrate Port	ST Super Duplex, SA-790
5	2	6121187	Retaining Ring, F/C Port	Stainless Steel, 316
6	2	6184604-N	Seal, F/C Port	Ethylene Propylene
7	2	4080378	Permeate Port	Noryl GFN2
8	2	6100442MK	Head Seal	Ethylene Propylene
9	2	6110229-N	Permeate Port Seal	Ethylene Propylene
10	6	4080474	Locking Segments	Stainless Steel, 316
11	2	6121200	Retaining Ring, Permeate Port	Stainless Steel, 316
12	2*	4080175	Support Saddle	Thermoplastic Rubber
13	3	4080137	Strap Assembly	Stainless Steel, 316
14	6	6150001	Strap Screw	Stainless Steel, 18-8
15	2	A/R	Adapter acc./to membrane model	Noryl GFN2/ PET
16	1	4080043	Thrust Ring	PVC Thermoplastic
17	2	6180326N**	Adapter Seal	Ethylene Propylene
18	4	A/R	PWT Seal	Ethylene Propylene
19	6	6150048	Head Screw	Stainless Steel, 18-8
20	3	4080062-4	Shim, Adapter [5mm]	PVC / Noryl GFN2

\* 3 each with shell length -7 and longer  
\*\* 6110221-N when Permeate Port is not Noryl

ENGR  
DG  
4/22/14  
QLTY  
RR  
4/22/14  
DRAWN  
DG  
4/22/14

ECO 12056	REVISED 10/04/13	DRAWING 101050	REV A
--------------	---------------------	-------------------	----------

Shell Length Code	L inch [mm]	S Span In [mm]	Empty Weight lb [kg]
-1	65 [1651]	34 [864]	117 [53]
-1.5	85 [2159]	45 [1143]	135 [61]
-2	105 [2667]	56 [1422]	152 [69]
-3	145 [3683]	80 [2032]	192 [87]
-4	185 [4699]	104 [2642]	227 [103]
-5	225 [5715]	125 [3251]	262 [119]
-6	265 [6731]	150 [3810]	300 [136]
-7	305 [7749]	3 PTS.	337 [153]
-7.5	325 [8255]	3 PTS.	355 [161]
-8	345 [8765]	3 PTS.	373 [169]