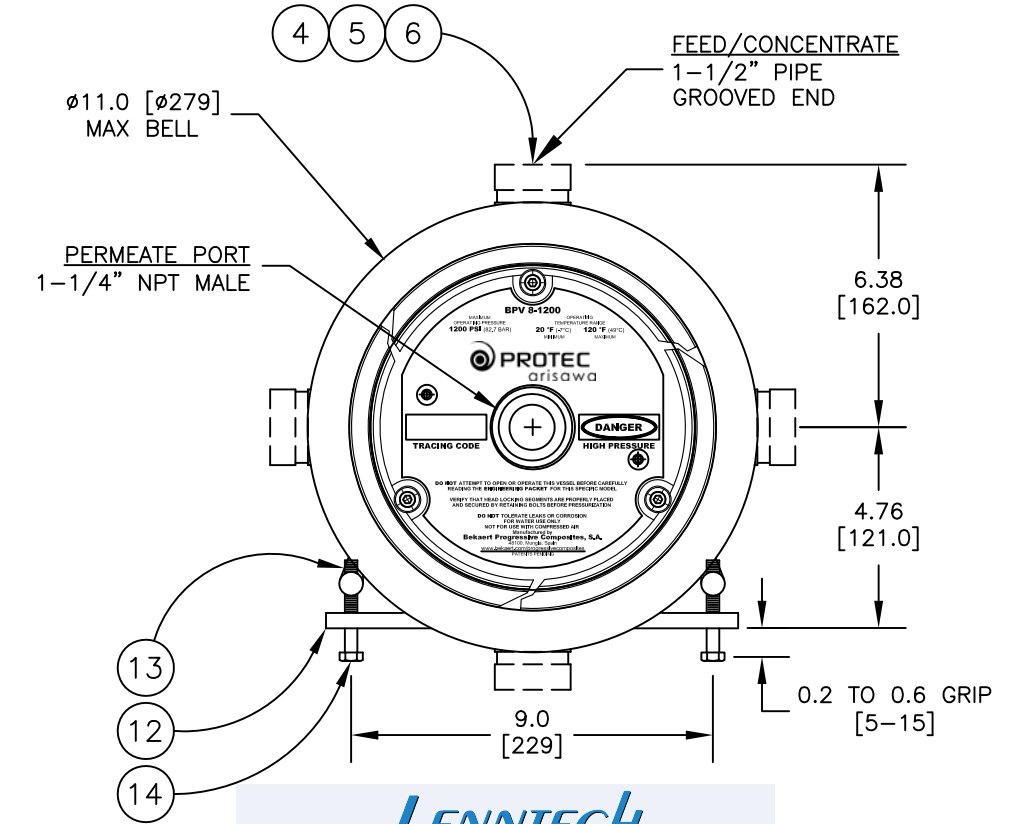
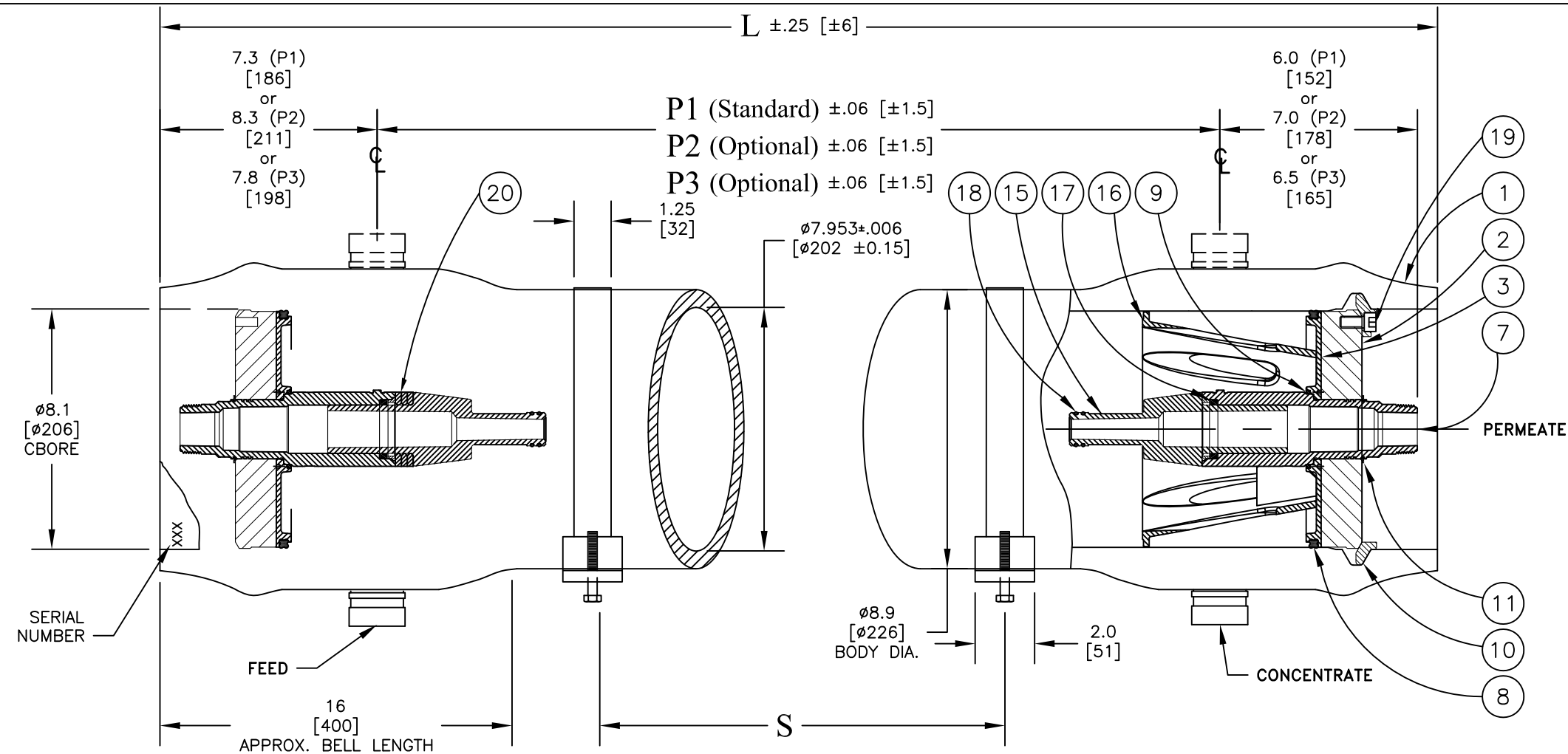


Design Pressure = 1200 PSI @ 120 °F
 Min. Design Temperature = 20 °F @ 1200 PSI
 Hydrotest Pressure = 1320 PSI

1200
 SIDE PORT



LENNTECH
 WATER TREATMENT Solutions
 info@lennotech.com Tel. +31-152-610-900
 www.lennotech.com Fax. +31-152-616-289

DIMENSIONS IN MM
 FOR REFERENCE ONLY, NOT TO BE USED FOR CONSTRUCTION UNLESS CERTIFIED
 CENTER VESSEL ON 2 OR 3 SUPPORTS AT SPAN(S) "S". 3 SUPPORTS REQUIRED FOR LENGTHS -4 AND OVER
 INCORRECT MANIFOLDING WILL CAUSE SEVERE LOCAL STRESS AROUND PORT AND MAY RESULT IN LEAKS AND PREMATURE FAILURE. TAKE EVERY PRECAUTION LISTED IN THIS PACKET.
 INTERNAL PERMEATE PRESSURE MUST NOT EXCEED 125 PSI.
 ASME SECTION X, RP CODE STAMP OPTIONAL
 SPECIFICATIONS SUBJECT TO CHANGE WITHOUT NOTICE



BPV-8-1200-SP

ENGR DG 8/29/16	ECO	REVISED 8/29/16	DRAWING 101042	REV A
QLTY RR 8/29/16	N/A			
MRKT DG 8/29/16				

ITEM	QTY	P/N	DESCRIPTION	MATERIAL
1	1	4080530	Shell	Filament Wound, Epoxy FRP
2	2	4080481	Bearing Plate	6061-T6 Aluminum, Hard Anodized
3	2	4080177-3	Sealing Plate	Noryl GFN2
4	2	4080234	Feed/Concentrate Port (1 1/2"), "D"	St. Steel Super Duplex
5	4	6121187	Retaining Ring, F/C Port(1 1/2"), "D"	St. Steel 316
6	2	6184604N	O-ring F/C Port (1 1/2"), "D"	Ethylene Propylene
7	2	4080308	Permeate Port	Noryl GFN2
8	2	610442MK	Head Seal	Ethylene Propylene
9	2	6110229-N	Permeate Port Seal	Ethylene Propylene
10	2	4080474-1	Locking segment	Stainless Steel, 316
11	2	6121200	Retaining Ring, Permeate Port	Stainless Steel, 316
12	2*	4080175	Support Saddle	Thermoplastic Rubber
13	2*	4080137	Strap Assembly	Stainless Steel, 316
14	4	6150073	Strap Screw	Stainless Steel, 18-8
15	2	A/R	Membrane Adapter	Noryl GFN2
16	1	4080165-1	Thrust Cone	PVC Thermoplastic
17	2	6180326-N**	Adapter Seal	Ethylene Propylene
18	4	A/R	PWT Seal	Ethylene Propylene
19	6	6150048	Head Screw	Stainless steel, 18-8
20	3	4080062-4**	Shim, Adapter	Noryl GFN2

*3 each with shell length -4 and longer
 **6110221-N, Qty 4, and 408071-2 when Permeate Port is not Noryl

Shell Length Code	L inch mm	P1 STANDARD inch mm	P2 Optional inch mm	P3 Optional inch mm	S Span in (mm)	Empty Weight lb (kg)
-1	61.6 [1565]	47 [1194]	45 [1143]	46 [1168]	1 @ 28 [711]	140 [64]
-1.5	81.6 [2073]	67 [1702]	65 [1651]	66 [1676]	1 @ 42 [1067]	166 [75]
-2	101.6 [2581]	87 [2210]	85 [2159]	86 [2184]	1 @ 56 [1422]	192 [87]
-3	141.6 [3597]	127 [3226]	125 [3175]	126 [3200]	1 @ 80 [2032]	245 [111]
-4	181.6 [4613]	167 [4242]	165 [4191]	166 [4216]	2 @ 64 [1626]	298 [135]
-5	221.6 [5629]	207 [5258]	205 [5207]	206 [5232]	2 @ 78 [1981]	351 [160]
-6	261.6 [6645]	247 [6274]	245 [6223]	246 [6248]	2 @ 92 [2337]	404 [184]
-7	301.6 [7661]	287 [7290]	285 [7239]	286 [7264]	2 @ 106 [2692]	457 [208]
-7.5	321.6 [8169]	307 [7798]	305 [7747]	306 [7772]	2 @ 114 [2896]	483 [220]
-8	341.6 [8679]	327 [8306]	325 [8255]	326 [8280]	2 @ 120 [3048]	510 [232]