

Data sheet

pH Sensor PHEI 112 SE

Data Sheet for pH Sensor PHEI 112 SE

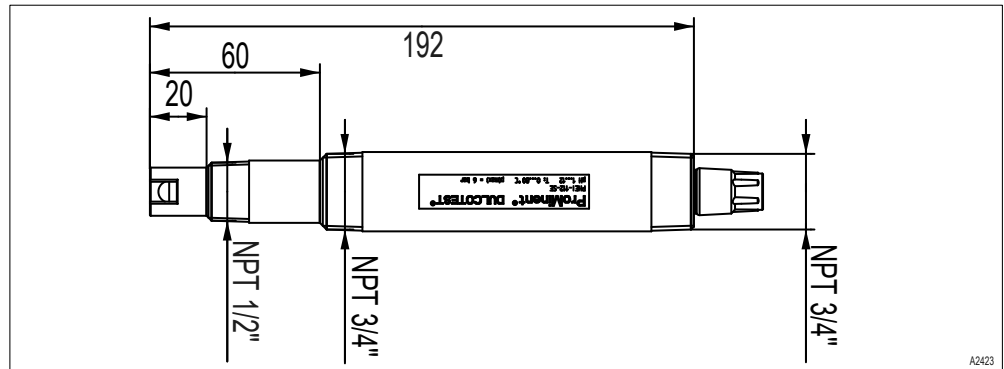


Fig. 1: pH Sensor PHEI 112 SE

Parameter	Value
pH-range:	0 ... 14 (1 ... 12 for optimum service life)
Operating temperature:	0 ... 80 °C
Maximum pressure:	6 bar
Conductivity:	> 50 µS/cm
Diaphragms:	Double junction reference system // (PTFE)
Reference system:	Ag/AgCl (3 mol KCl/gel)
Screw-in thread:	One 1/2" and two 3/4" NPT threads
Sensor head:	SN 6 plug-in head
Material of sensor shaft:	Fibreglass-reinforced PPE
Sensor shaft Ø (below 1/2" NPT thread):	17 ± 0.2 mm
Sensor shaft Ø (below 3/4" NPT thread):	22 ± 0.2 mm
Fitting length A:	20 ± 0.2 mm from the lower end of the 1/2" thread
Fitting length B:	60 ± 0.2 mm from the lower end of the 3/4" thread
Fitting position:	vertical up to +25 °
Storage temperature:	10 ... 30°C
Typical applications:	Industrial waste water, municipal waste water, cooling water, process water, water in the chemical industry and paper making, generally water with solid fractions
Order number:	1076610

EN Part number: 983143 TM DT 037 03/17 EN