

Data sheet

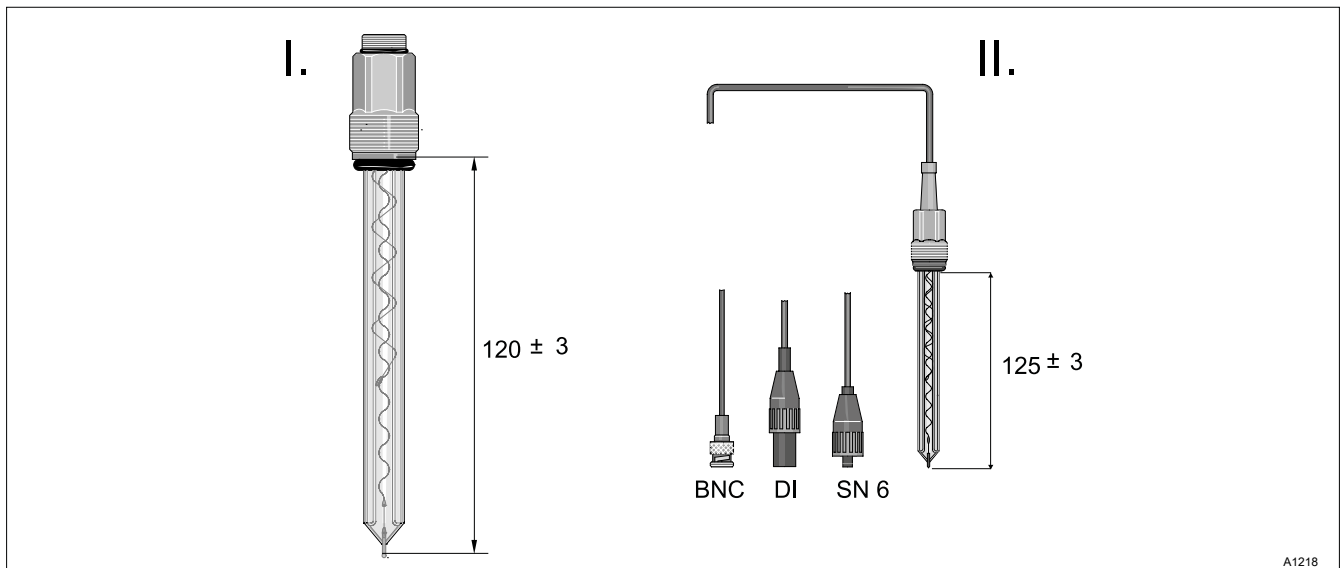
Redox Sensor RHES

Redox Sensor RHES

Technical data

Redox voltage:	-1000 ... +1000 mV		
Operating temperature:	0 ... 60 °C		
Maximum pressure:	3.0 bar		
Conductivity:	> 150 µS/cm		
Metal electrode:	Platinum		
Diaphragms:	Ceramic		
Reference system:	Ag/AgCl (3 mol KCl/Gel)		
Fitting length:	120 ± 3 mm		
Glass shaft diameter:	12 mm		
Screw in thread:	PG 13.5		
Electrode head:	Plug-in head SN 6 / fixed cable with SN 6 or BNC plug		
Fitting position:	> 15°, tip downwards		
Storage temperature:	10 ... 30 °C		
Typical applications:	Swimming pool water, whirlpool, drinking water		
Order numbers:	RHES-Pt-SE	I.	150703
	RHES-Pt-FE 310 B BNC	II.	304993
	RHES-Pt-F 303 B BNC	II.	304983

Part number 985499 TM DT 031 06/12 EN



A1218

Fig. 1: Redox Sensor RHES

LENNTECH
WATER TREATMENT SOLUTIONS

info@lennotech.com Tel. +31-152-610-900
www.lennotech.com Fax +31-152-616-289