

# dizzer<sup>®</sup> P

## Ultrafiltration modules



**LENNTECH**  
WATER TREATMENT SOLUTIONS

info@lennotech.com Tel. +31-152-610-900

www.lennotech.com Fax. +31-152-616-289

# dizzer® P - Ultrafiltration modules

- Easy installation, plug-and-play operation
- Excellent quality of filtrate
- Reliable rejection of microorganisms and viruses
- Low operating costs

## 4" UF modules with Multibore® 0.9 membrane

Module data			dizzer® P 4040-6.0		dizzer® P 4021-2.5	
Part number			EP-0049		EP-0048	
Membrane area	m <sup>2</sup>	sq.ft.	6.0	65	2.5	27
Length (L)	mm	inch	960 ± 1.5	37.8	475 ± 1.5	18.7
Outer diameter module (D)	mm	inch	100	3.94	100	3.94
Inner diameter filtrate connection (d1)	mm	inch	28.4	1.12	28.4	1.12
Weight* (wet)	kg	lbs.	4.5	10	2.3	5

## 4" UF modules with Multibore® 1.5 membrane

Module data			dizzer® P 4040-4.0		dizzer® P 4021-1.8	
Part number			EP-0051		EP-0050	
Membrane area	m <sup>2</sup>	sq.ft.	4.0	43	1.8	19.4
Length (L)	mm	inch	960 ± 1.5	37.8	475 ± 1.5	18.7
Outer diameter module (D)	mm	inch	100	3.94	100	3.94
Inner diameter filtrate connection (d1)	mm	inch	28.4	1.12	28.4	1.12
Weight* (wet)	kg	lbs.	4.5	10	2.3	5

## 2.5" UF modules with Multibore® 0.9 membrane

Module data			dizzer® P 2521-1.0		dizzer® P 2514-0.5	
Part number			EP-0047		EP-0046	
Membrane area	m <sup>2</sup>	sq.ft.	1.0	11	0.5	5.4
Length (L)	mm	inch	475 ± 1.5	18.7	300 ± 1.5	11.8
Outer diameter module (D)	mm	inch	61	2.4	61	2.4
Inner diameter filtrate connection (d1)	mm	inch	17	0.67	17	0.67
Weight* (wet)	kg	lbs.	0.7	1.6	0.4	0.9

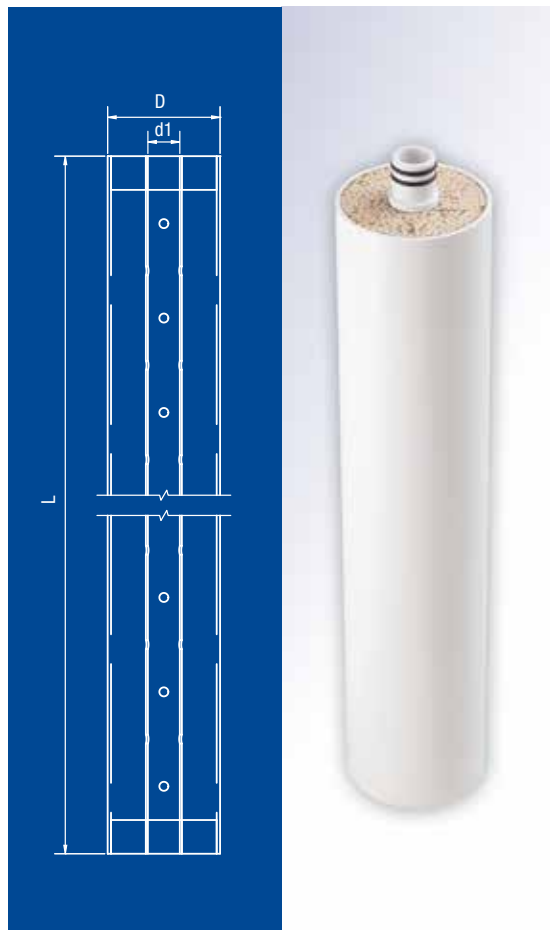
## Technical information

Material						
Housing						PVC-U, white
Filtrate tube						PVC-U, white
Filtrate connectors						PVC-U, white
Operation parameters						
Maximum transmembrane pressure**	bar	psi	3			43.5
Temperature range**	°C	°F	1 – 40			34 – 104

\* shipping weight

\*\* To avoid mechanical damage, do not subject the membrane module or element to sudden temperature changes (> 1°C/min) or water hammer.

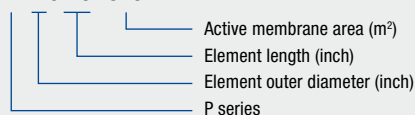
® = Registered trademark of BASF



### Modules for small scale application (e.g. Point-of-Use, Point-of-Entry)

Module designation:

**dizzer® P 4040-6.0**



# dizzer® P - Pressure housings

## Pressure housings for 4" UF modules

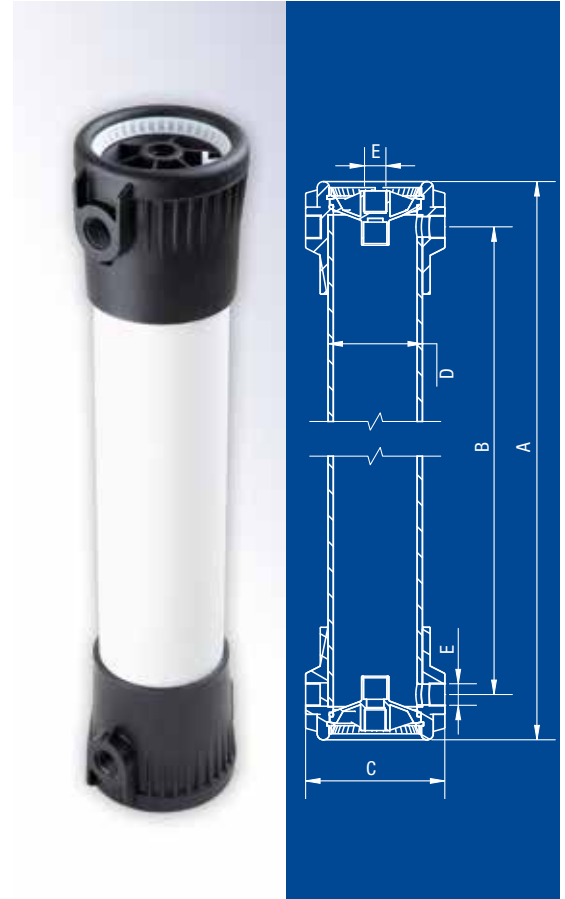
Module data			PV 4040		PV 4021	
Part number			KT-0134		KT-0133	
Length (A)	mm	inch	1130	44.5	648	25.5
Distance connections (B)	mm	inch	1019	40.12	536	21.12
Outer diameter end cap (C)	mm	inch	159	6.25	159	6.25
Outer diameter shell (D)	mm	inch	114	4.5	114	4.5
Threaded connections (E)		inch	3/4" FNPT		3/4" FNPT	

## Pressure housings for 2.5" UF modules

Module data			PV 2521		PV 2514	
Part number			KT-0132		KT-0131	
Length (A)	mm	inch	603	23.75	425	16.75
Distance connections (B)	mm	inch	527	20.75	349	13.75
Outer diameter end cap (C)	mm	inch	95	3.75	95	3.75
Outer diameter shell (D)	mm	inch	73	2.88	73	2.88
Threaded connections (E)		inch	3/8" FNPT		3/8" FNPT	

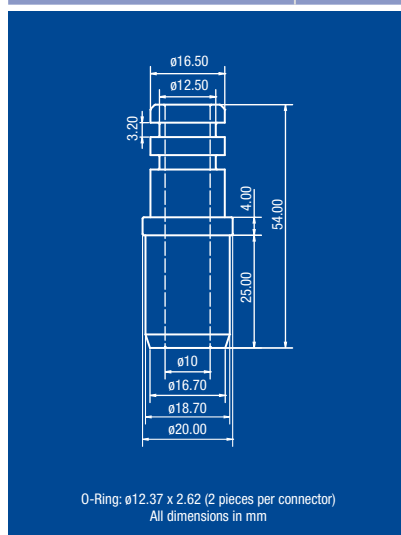
## Technical information

Material						
Housing			PVC-U, white			
Filtrate end cap			Noryl GTX			
Operation parameters						
Maximum system pressure	bar	psi	10		145	
Temperature range	°C	°F	1 – 40		34 – 104	

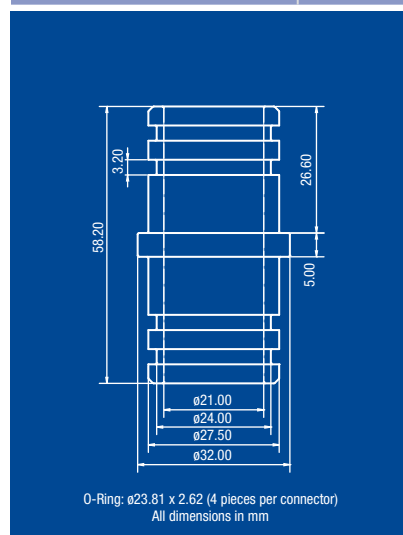


## Filtrate connectors for 2.5" and 4" UF modules

2.5" element filtrate connector kit	FC 25
Part number	EP-0052



4" element filtrate connector kit	FC 40
Part number	EP-0053



# Multibore® membranes

## Multibore® 0.9 membrane

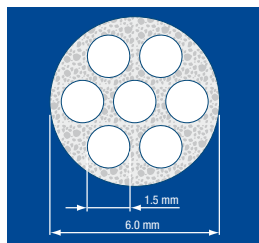
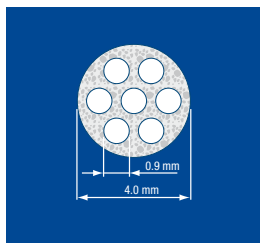
Membrane data			
Capillaries per fibre			7
Inside diameter	mm		0.9
Outside diameter	mm		4.0
Pore size	µm		approx. 0.02
Burst pressure	bar	psi	>10 >150
Material			PESM

## Multibore® 1.5 membrane

Membrane data			
Capillaries per fibre			7
Inside diameter	mm		1.5
Outside diameter	mm		6.0
Pore size	µm		approx. 0.02
Burst pressure	bar	psi	>10 >150
Material			PESM

## Technical information

Cleaning/disinfection chemicals	Multibore® 0.9 and 1.5 membrane	
Free chlorine	ppm ppm x h	max. 200 max. 200,000 (at pH ≥ 9.5)
H <sub>2</sub> O <sub>2</sub> (Hydrogenperoxide)	ppm	max. 500
Caustic Soda pH		max. 13
Acid pH		min. 1



Subject to technical modifications and errors. Modules are to be operated in accordance with the relevant "Installation, Operation and Maintenance Guidelines" for modules and pressure housings. Customized configurations are available on request. Please contact the inge GmbH team if you require any further information.



#### Note

The descriptions, designs, data and information („Product Information“) contained herein are presented in good faith and are based on inge GmbH's current knowledge and experience. inge GmbH cannot accept any liability for the accuracy of this Product Information, which is provided at no charge and for guidance only.

inge GmbH hereby advises that the products should only be operated in accordance with the relevant “Installation, Operation and Maintenance Guidelines“. The Product Information and products are protected by copyright and/or other intellectual property laws worldwide. However, inge GmbH cannot guarantee that the Product Information and products can be used without infringing third party intellectual property rights. The products and Product Information may only be used, distributed and marketed with the express prior permission of inge GmbH.

No warranties of any kind regarding the products, either expressed or implied, including, but not limited to, warranties of merchantability, fitness for a particular purpose or no third party rights are made, other than as expressly set out in the contractual agreement with the customer.

inge GmbH reserves the right to modify products and Product Information at any time without prior information. Current Product Information can be obtained from the website [www.inge.ag](http://www.inge.ag).

**LENNTECH**

[info@lennotech.com](mailto:info@lennotech.com) Tel. +31-152-610-900

[www.lennotech.com](http://www.lennotech.com) Fax. +31-152-616-289