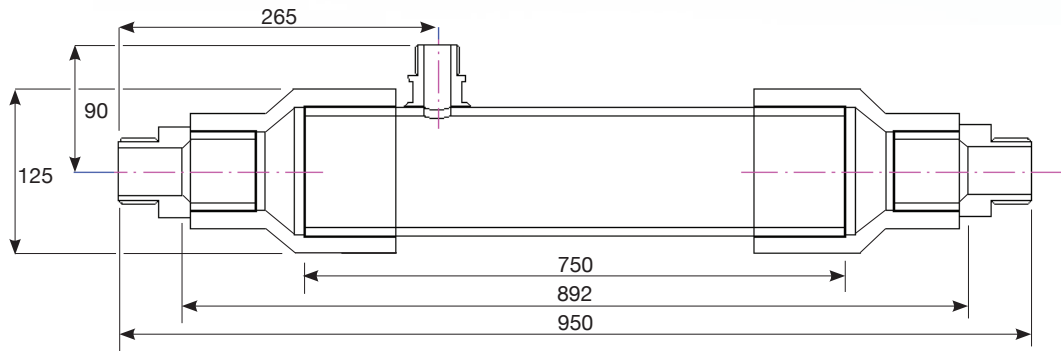


Ultrafiltration element

475 UF/MB/TAP



Ultrafiltration element

475 UF/MB/TAP

Specifications 475 UF/MB/TAP		SI		US	
Element data					
Material housing			PVC		PVC
Material connector			PVC		PVC
Housing length	mm	750 +/- 2,0		inch	30
Element length**	mm	892 +/- 3,0		inch	35
Element length	mm	950 +/- 3,0		inch	37
Distance permeate connector-feed connector**	mm	236 +/- 2,0		inch	9
Distance permeate connector-feed connector	mm	265 +/- 2,0		inch	10
Distance permeate connector-element center	mm	90 +/- 2,0		inch	4
Permeate connection male OD		1"			1"
Feed connection male OD		1"			1"
Housing OD	mm	110		inch	4
Element OD	mm	125		inch	5
Endcaps ID**	mm	32		inch	1
Weight	kg	3,6		lbs	8
Membrane Type					
Material			PES		PES
Type			SevenBore®		SevenBore®
Diameter bores ID	mm	0,9		inch	0,04
Diameter fiber OD	mm	4,0		inch	0,16
MWCO	kD	100-150		kD	100-150
Area	m ²	4,25		ft ²	46
Typical Process Conditions					
Maximum operating temperature	°C	40		°F	104
Maximum system pressure	bar	10		psi	145
Trans membrane pressure	operation	bar	< 1,0	psi	< 14,5
	maximum	bar	2,5	psi	36
Productivity	clean water at 25° C (77°F)	l/m ² barh	1300-1600	gfd/psi	53-65
	process	l/m ² h	100 to 350	gfd	60 to 210
	backwash/forward flush	l/m ² h	250	gfd	150
Permeate flow at 100 l/m ² h	l/h	425		gpm	2
pH range during operation		3-10			3-10
Cleaning					
Soaking time during cleaning			min 5		
pH range during cleaning			1-13		
Disinfecting chemicals	hypochlorite (NaOCl)		ppm 50-200		
	hydrogenperoxide (H ₂ O ₂)		ppm 100-200		

** without screw ends (provided separately)

modifications reserved-01..2012

LENNTECH
WATER TREATMENT SOLUTIONS

info@lenntech.com Tel. +31-152-610-900
www.lenntech.com Fax. +31-152-616-289

