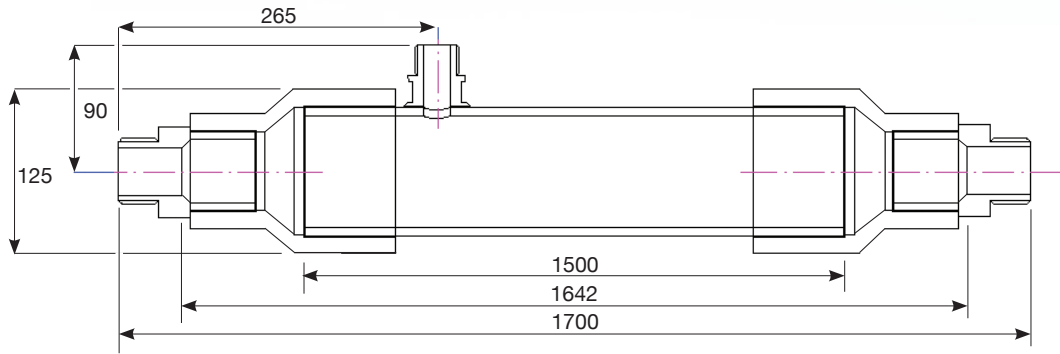


Ultrafiltration element

4150 UF/MB/TAP



Ultrafiltration element

4150 UF/MB/TAP

Specifications 4150 UF/MB/TAP		SI		US	
Element data					
Material housing		PVC		PVC	
Material connector		PVC		PVC	
Housing length	mm	1500	+/- 2,0	inch	59
Element length**	mm	1642	+/- 3,0	inch	65
Element length	mm	1700	+/- 3,0	inch	67
Distance permeate connector-feed connector**	mm	236	+/- 2,0	inch	9
Distance permeate connector-feed connector	mm	265	+/- 2,0	inch	10
Distance permeate connector-element center	mm	90	+/- 2,0	inch	4
Permeate connection male OD		1"		1"	
Feed connection male OD		1"		1"	
Housing OD	mm	110		inch	4
Element OD	mm	125		inch	5
Endcaps ID**	mm	32		inch	1
Weight	kg	6,3		lbs	14
Membrane Type					
Material		PES		PES	
Type		SevenBore®		SevenBore®	
Diameter bores ID	mm	0,9		inch	0,04
Diameter fiber OD	mm	4,0		inch	0,16
MWCO	kD	100-150		kD	100-150
Area	m ²	9		ft ²	97
Typical Process Conditions					
Maximum operating temperature	°C	40		°F	104
Maximum system pressure	bar	10		psi	145
Trans membrane pressure	operation	bar	< 1,0	psi	< 14,5
	maximum	bar	2,5	psi	36
Productivity	clean water at 25° C (77°F)	l/m ² barh	1300-1600	gfd/psi	53-65
	process	l/m ² h	100 to 350	gfd	60 to 210
	backwash/forward flush	l/m ² h	250	gfd	150
Permeate flow at 100 l/m ² h	l/h	900		gpm	4
pH range during operation		3-10			3-10
Cleaning					
Soaking time during cleaning		min 5			
pH range during cleaning		1-13			
Disinfecting chemicals	hypochlorite (NaOCl)	ppm 50-200			
	hydrogenperoxide (H ₂ O ₂)	ppm 100-200			

** without screw ends (provided separately)

modifications reserved-01.2012

LENNTECH
WATER TREATMENT SOLUTIONS

info@lennotech.com Tel. +31-152-610-900
www.lennotech.com Fax. +31-152-616-289

