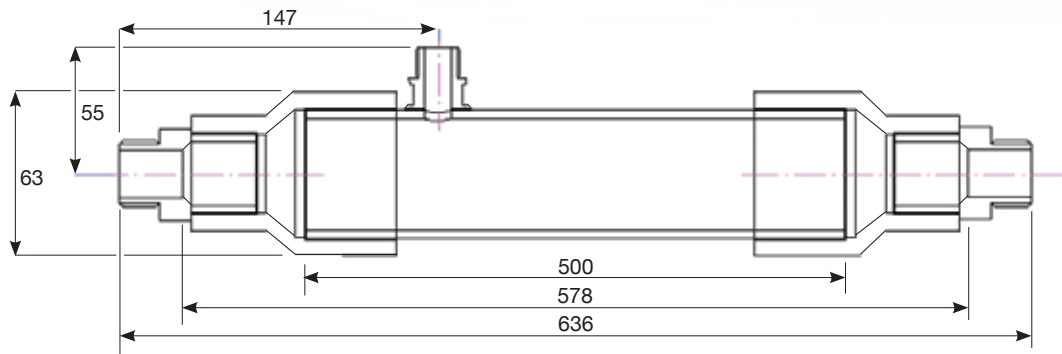


Ultrafiltration element

250 UF/MB/TAP



Ultrafiltration element

250 UF/MB/TAP

Specifications 250 UF/MB/TAP		SI		US	
Element data					
Material housing		PVC		PVC	
Material connector		PVC		PVC	
Housing length	mm	500 +/- 2,0	inch	20	
Element length**	mm	578 +/- 3,0	inch	23	
Element length	mm	636 +/- 3,0	inch	25	
Distance permeate connector-feed connector**	mm	118 +/- 2,0	inch	5	
Distance permeate connector-feed connector	mm	147 +/- 2,0	inch	6	
Distance permeate connector-element center	mm	55 +/- 2,0	inch	121	
Permeate connection male OD		1/2"		1/2"	
Feed connection male OD		1/2"		1/2"	
Housing OD	mm	50	inch	2	
Element OD	mm	50	inch	2	
Endcaps ID**	mm	25	inch	1	
Weight	kg	0,7	lbs	2	
Membrane Type					
Material		PES		PES	
Type		SevenBore®		SevenBore®	
Diameter bores ID	mm	0,9	inch	0,04	
Diameter fiber OD	mm	4,0	inch	0,16	
MWCO		kD 100-150		kD 100-150	
Area	m ²	0,6	ft ²	6	
Typical Process Conditions					
Maximum operating temperature	°C	40	°F	104	
Maximum system pressure	bar	10	psi	145	
Trans membrane pressure operation	bar	< 1,0	psi	< 14,5	
maximum	bar	2,5	psi	36	
Productivity clean water at 25° C (77°F)	l/m ² barh	1300-1600	gfd/psi	53-65	
process	l/m ² h	100 to 350	gfd	60 to 210	
backwash/forward flush	l/m ² h	250	gfd	150	
Permeate flow at 100 l/m ² h	l/h	60	gpm	0,26	
pH range during operation		3 -10		3 -10	
Cleaning					
Soaking time during cleaning		min 5			
pH range during cleaning		1-13			
Disinfecting chemicals	hypochlorite (NaOCl)	ppm 50-200			
	hydrogenperoxide (H ₂ O ₂)	ppm 100-200			

** without screw ends (provided separately)

modifications reserved

LENNTECH
WATER TREATMENT SOLUTIONS

info@lennotech.com Tel. +31-152-610-900
www.lennotech.com Fax. +31-152-616-289

IMT
revision februari 2011