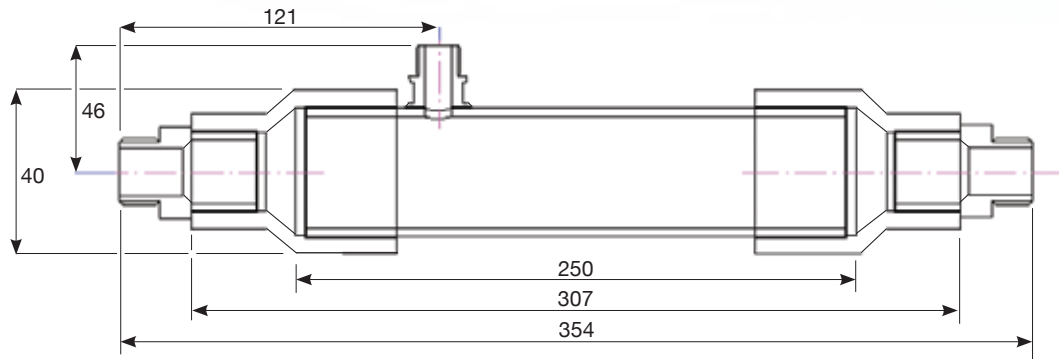


Ultrafiltration element

125 UF/MB/TAP



Ultrafiltration element

125 UF/MB/TAP

Specifications 125 UF/MB/TAP		SI		US	
Element data					
Material housing		PVC		PVC	
Material connector		PVC		PVC	
Housing length	mm	250 +/- 2,0	inch	10	
Element length**	mm	307 +/- 3,0	inch	12	
Element length	mm	354 +/- 3,0	inch	14	
Distance permeate connector-feed connector**	mm	94 +/- 2,0	inch	4	
Distance permeate connector-feed connector	mm	121 +/- 2,0	inch	5	
Distance permeate connector-element center	mm	46 +/- 2,0	inch	101	
Permeate connection male OD		1/2"		1/2"	
Feed connection male OD		1/2"		1/2"	
Housing OD	mm	32	inch	1	
Element OD	mm	40	inch	2	
Endcaps ID**	mm	20	inch	0,8	
Weight including endcaps	kg	0,2	lbs	0,4	
Membrane Type					
Material		PES		PES	
Type		SevenBore®		SevenBore®	
Diameter bores ID	mm	0,9	inch	0,04	
Diameter fiber OD	mm	4,0	inch	0,16	
MWCO		kD 100-150		kD 100-150	
Area	m ²	0,05	ft ²	1	
Typical Process Conditions					
Maximum operating temperature	°C	40	°F	104	
Maximum system pressure	bar	10	psi	145	
Trans membrane pressure operation	bar	< 1,0	psi	< 14,5	
	maximum	bar	psi	36	
Productivity	clean water at 25° C (77°F)	l/m ² barh	gfd/psi	53-65	
	process	l/m ² h	gfd	60 to 210	
	backwash/forward flush	l/m ² h	gfd	150	
Permeate flow at 100 l/m ² h	l/h	5	gpm	0,02	
pH range during operation		3-10		3-10	
Cleaning					
Soaking time during cleaning		min 5			
pH range during cleaning		1-13			
Disinfecting chemicals	hypochlorite (NaOCl)	ppm 50-200			
	hydrogenperoxide (H ₂ O ₂)	ppm 100-200			

**without screw ends (provided separately)

modifications reserved

LENNTECH
WATER TREATMENT SOLUTIONS

info@lennotech.com Tel. +31-152-610-900
www.lennotech.com Fax. +31-152-616-289

IMT
revision februari 2011