



KS-137 Self-cleaning Filters

50 - 3000 micron / 25 - 100 m³/h

HiFlux KS-137 filters are designed as compact self-cleaning filters with many applications. The robust construction of the filter makes it suitable for cleaning practically all liquids, including tung oil, lubricating oil, bitumen, grease, paint, toothpaste, water, fermentation liquids, petrol, syrup, condensate, CIP liquids, antibiotic suspensions, etc.

The filter is used where continuous operation without interruption in the flow is desired. The cleaning process is initiated by manually activating the gear motor when the differential pressure has reached a level where cleaning is required. The dirt is compressed in the filter until it is drained away.

The filtration principle is based on an asymmetric edge-gap element, with the dirt particles being retained on the surface of the filter element.

In the cleaning cycle the filter insert rotates, making three fixed blades scrape the dirt off into a sludge chamber from where it is drained out of the filter at appropriate intervals. This results in defined absolute cleaning of the filter and controlled drainage.

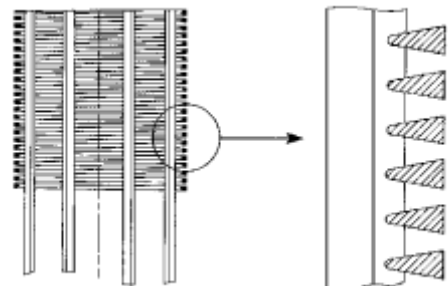
As the cleaning process does not require the filter to be blocked off from the rest of the system, the flow in the filter will continue during the scraping process. This means that the filter can work continuously, and that the flow is not interrupted during the cleaning process.

The cleaning process is started when the switch is activated. For some processes it may be that the scraping process is in operation continuously to ensure that the filter surface remains active and clean. Drainage of the dirt takes place through the foot valve, which should be opened manually after a given number of scrapings or at suitable intervals. This means that the dirt is concentrated before it is pushed out of the filter, which reduces product loss significantly.

Normally drainage is carried out over a period of 1-3 seconds, during which time a minor drop in system pressure may occur. The liquid flow in the filter is only reduced by approximately 5-10% for the short interval in which drainage takes place.

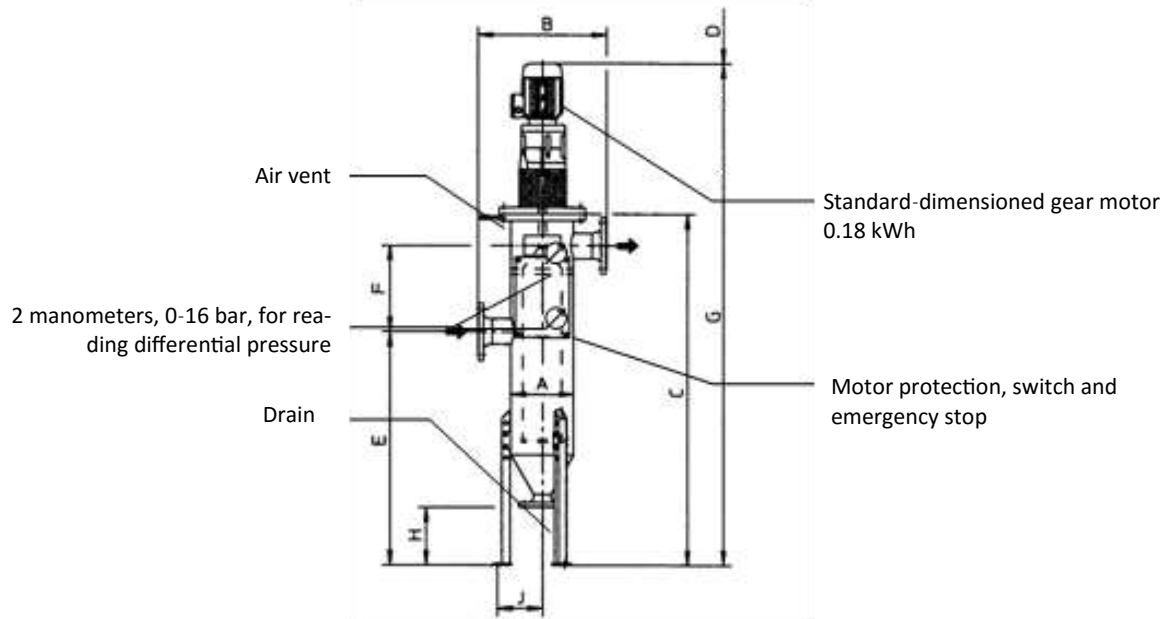
In the design of the filter importance has been attached to making the construction robust and reliable. By limiting the number of moving components, wear and maintenance requirements are minimised. The simple construction makes the filter so easy to service that there is no need for external assistance in this connection.

For other options see also **Auto-line**, **Auto-line R**, **AKS-137** and **MKS-137** filters.





KS-137 Self-cleaning Filters



Type	A	B	C	D	E	F	G	H	J	K	Drain	Air	Conn.	Weight
	mm	mm	mm	mm	mm	mm	mm	mm	mm	mm	DN	vent	DN	kg
KS-137/80	219,1	450	1270	760	860	300	1840	250	157,5	250	50/80	G1/4B	80	113
KS-137/100	219,1	450	1270	760	860	300	1840	250	157,5	250	50/80	G1/4B	100	115
KS-137/125	219,1	450	1270	800	860	275	1840	250	157,5	250	50/80	G1/4B	125	120

HiFlux standard filters type KS are supplied in acid-proof stainless steel EN 1.4404. The filter element is fully welded in stainless acid-proof steel EN 1.4404.

- Design pressure: 16 bar
- Test pressure: According to EN 13445
- Max. differential pressure: 2,5 bar (8 bar)
- Max. working temperature: 110° C (water) or according to customer requirements
- Flange connection: EN 1092-1/11
- Filtration: 50-100-130-250-500-1000-2000-3000 micron
- Power supply: 3 x 230/400V, 50 Hz

The self-cleaning KS edge-gap filter consists of a complete filter with gear motor, motor protection, on/off switch and two manometers for reading the differential pressure.

Capacity:
(at a viscosity of 1 cSt
and as a pressure filter)

Differential pressure clean	Capacity in m ³ /h / micron					
	KS-137/80	KS-137/100		KS-137/125		
	50 - 3000	50 - 130	250 - 3000	50	100 - 130	250 - 3000
0,05	25	30	35	45	50	50
0,10	41	52	63	62	74	74
0,15	55	65	82	85	90	92
0,20	66	85	95	93	100	107
0,30	83	105	120	118	125	132
0,40	97	125	140	138	142	150

The filter should be installed in systems which have a positive pressure of at least 0.1 bar in relation to the surroundings to ensure efficient sludge removal.