

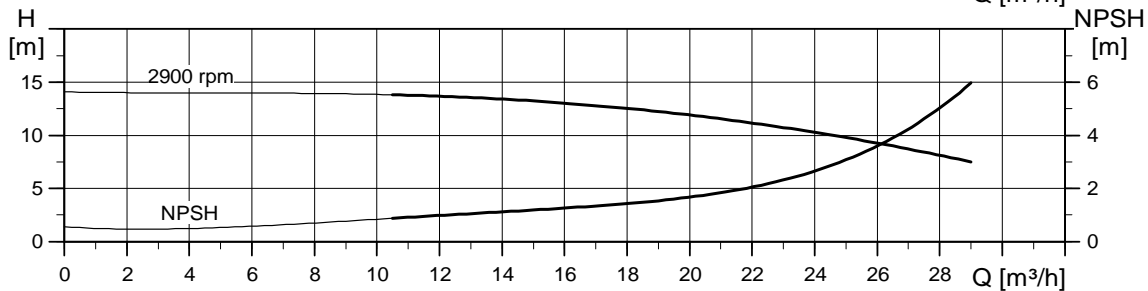
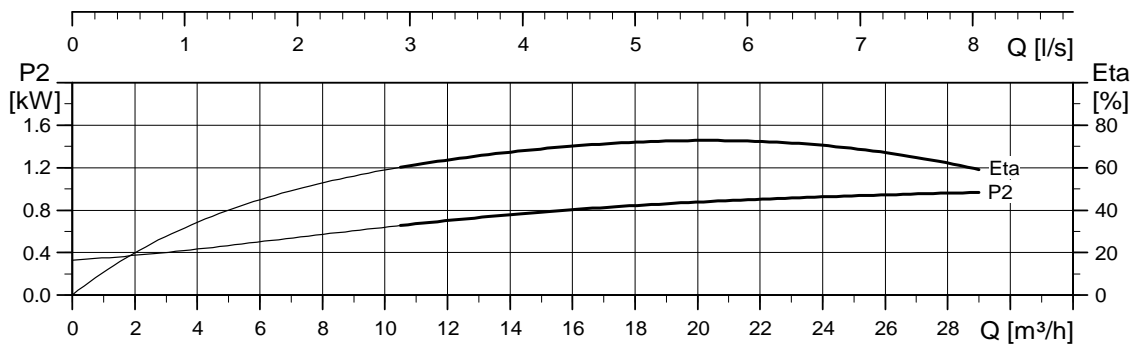
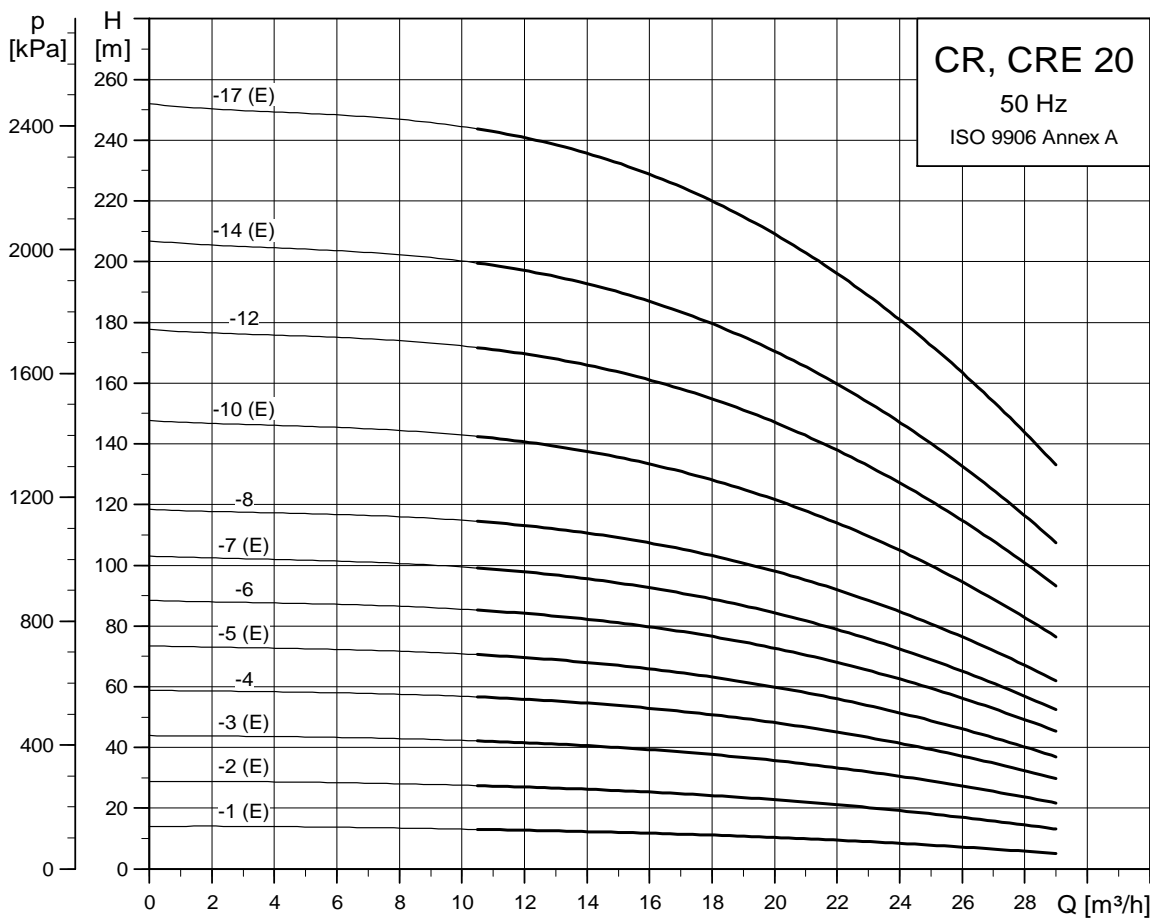


CR-20, CRI-20, CRN-20, CRE-20, CRIE-20, CRNE-20

Vertical multistage centrifugal pumps
50 Hz

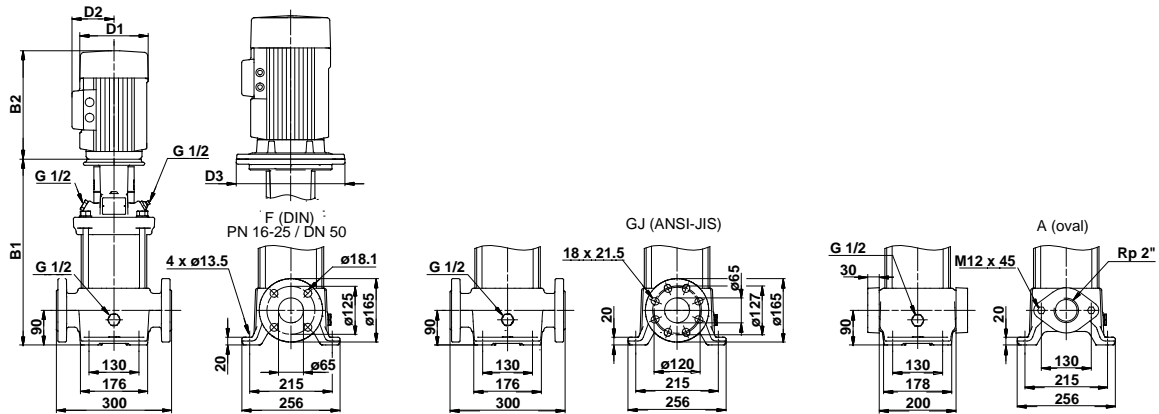


CR, CRE 20



TM02 7300 3605

Dimensional sketch

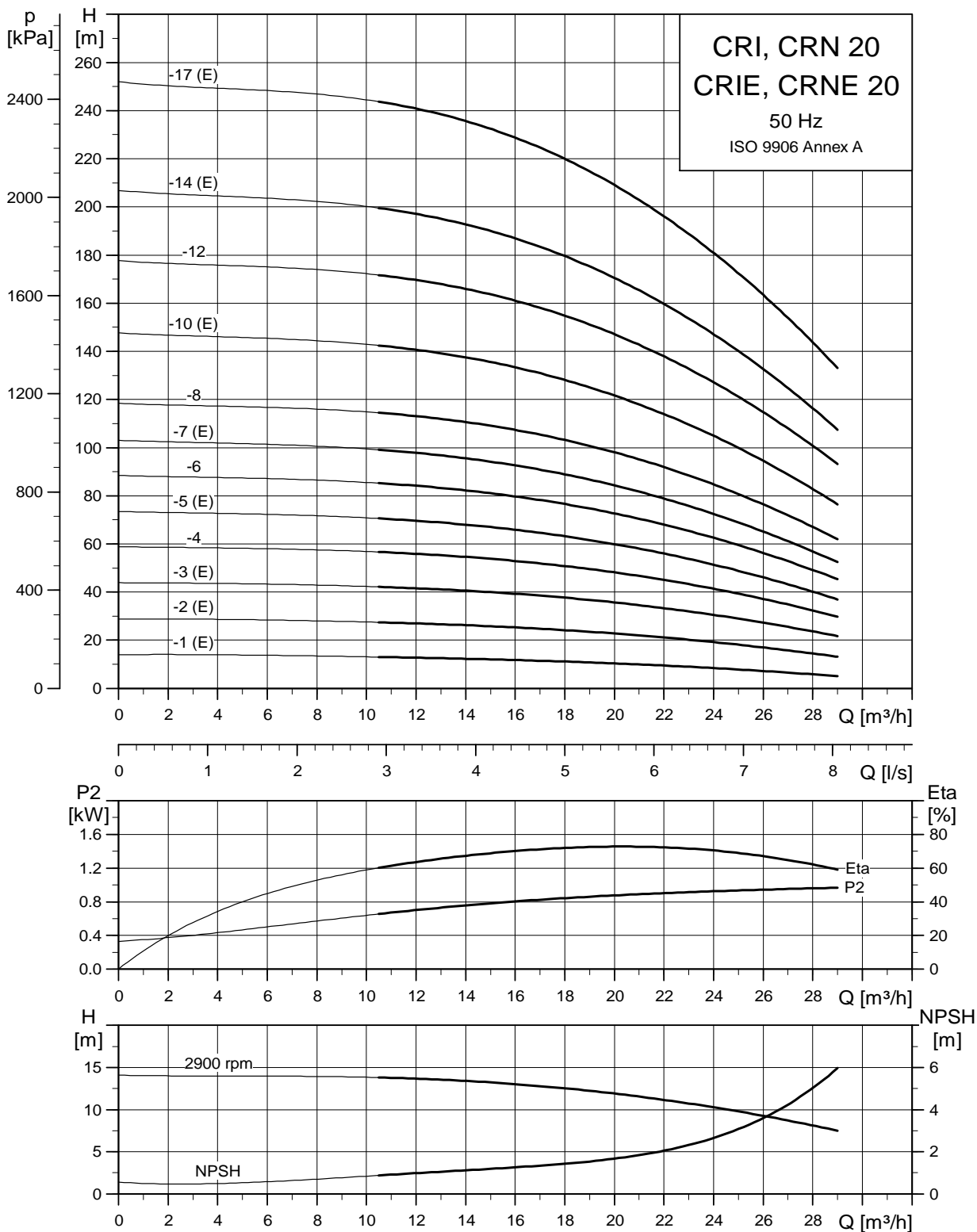


TM03 1727 2805

Dimensions and weights

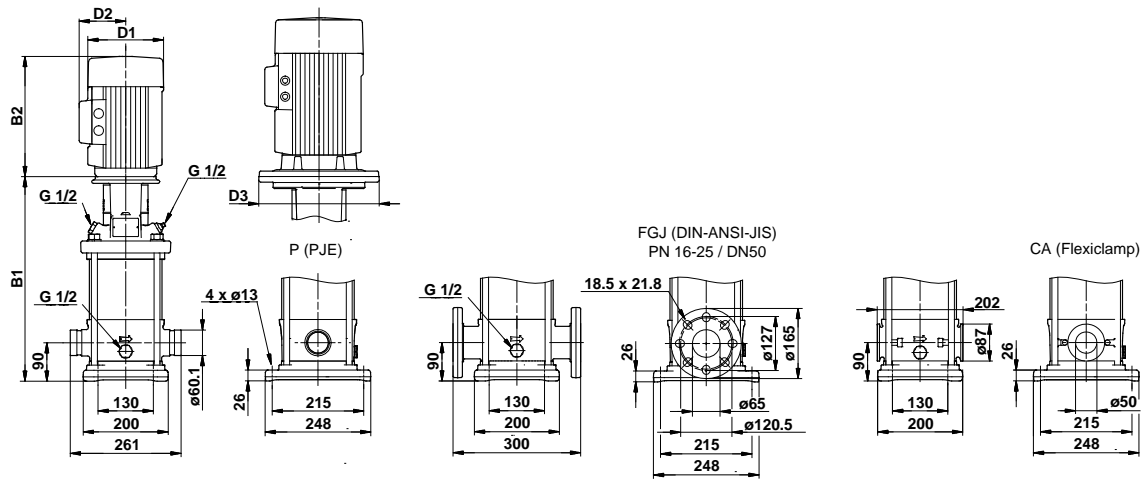
Pump type	Motor P ₂ [kW]	CR									CRE								
		Dimension [mm]						Net weight [kg]			Dimension [mm]						Net weight [kg]		
		Oval flange		DIN flange				Oval flange	DIN flange	D3	Oval flange		DIN flange				Oval flange	DIN flange	
		B1	B1+B2	B1	B1+B2	D1	D2				B1	B1+B2	B1	B1+B2	D1	D2			D3
CR(E) 20-1	1.1	400	651	400	651	141	109	-	41	42	400	631	400	631	178	167	-	44	45
CR(E) 20-2	2.2	415	736	415	736	178	110	-	49	50	415	736	415	736	178	167	-	59	60
CR(E) 20-3	4	465	837	465	837	220	134	-	65	66	465	837	465	837	220	188	-	75	76
CR 20-4	5.5	542	933	542	933	220	134	300	87	88	-	-	-	-	-	-	-	-	-
CR(E) 20-5	5.5	587	978	587	978	220	134	300	89	90	587	978	587	978	220	188	300	95	96
CR 20-6	7.5	632	1011	632	1011	260	159	300	102	103	-	-	-	-	-	-	-	-	-
CR(E) 20-7	7.5	677	1056	677	1056	260	159	300	104	105	677	1068	677	1068	260	213	300	102	103
CR 20-8	11	-	-	799	1270	314	204	350	-	147	-	-	-	-	-	-	-	-	-
CR(E) 20-10	11	-	-	889	1360	314	204	350	-	150	-	-	904	1375	314	308	350	-	195
CR 20-12	15	-	-	979	1450	314	204	350	-	166	-	-	-	-	-	-	-	-	-
CR(E) 20-14	15	-	-	1069	1540	314	204	350	-	170	-	-	1084	1555	314	308	350	-	217
CR(E) 20-17	18.5	-	-	1204	1719	314	204	350	-	188	-	-	1219	1734	314	308	350	-	234

CRI, CRN, CRIE, CRNE 20



TM02 7301 3605

Dimensional sketch



TM03 1728 2805

Dimensions and weights

Pump type	Motor P ₂ [kW]	CRI/CRN									CRIE/CRNE								
		Dimension [mm]						Net weight [kg]			Dimension [mm]						Net weight [kg]		
		PJE/CA		DIN flange		D1	D2	D3	PJE/CA	DIN flange	PJE/CA	DIN flange	D1	D2	D3	PJE/CA	DIN flange		
B1	B1+B2	B1	B1+B2	B1	B1+B2													B1	B1+B2
CRI(E)/CRN(E) 20-1	1.1	397	648	397	648	141	109	-	34	39	397	628	397	628	178	167	-	37	42
CRI(E)/CRN(E) 20-2	2.2	413	734	413	734	178	110	-	42	47	413	734	413	734	178	167	-	53	57
CRI(E)/CRN(E) 20-3	4	463	835	463	835	220	134	-	59	64	463	835	463	835	220	188	-	69	74
CRI/CRN 20-4	5.5	540	931	540	931	220	134	300	81	86	-	-	-	-	-	-	-	-	-
CRI(E)/CRN(E) 20-5	5.5	585	976	585	976	220	134	300	82	87	585	976	585	976	220	188	300	89	94
CRI/CRN 20-6	7.5	630	1009	630	1009	260	159	300	96	101	-	-	-	-	-	-	-	-	-
CRI(E)/CRN(E) 20-7	7.5	675	1054	675	1054	260	159	300	98	101	675	1066	675	1066	260	213	300	96	100
CRI/CRN 20-8	11	797	1268	797	1268	314	204	350	139	144	-	-	-	-	-	-	-	-	-
CRI(E)/CRN(E) 20-10	11	887	1358	887	1358	314	204	350	143	148	902	1373	902	1373	314	308	350	188	192
CRI/CRN 20-12	15	977	1448	977	1448	314	204	350	158	163	-	-	-	-	-	-	-	-	-
CRI(E)/CRN(E) 20-14	15	1067	1538	1067	1538	314	204	350	162	166	1082	1553	1082	1553	314	308	350	209	214
CRI(E)/CRN(E) 20-17	18.5	1202	1717	1202	1717	314	204	350	180	184	1217	1732	1217	1732	314	308	350	226	231

