

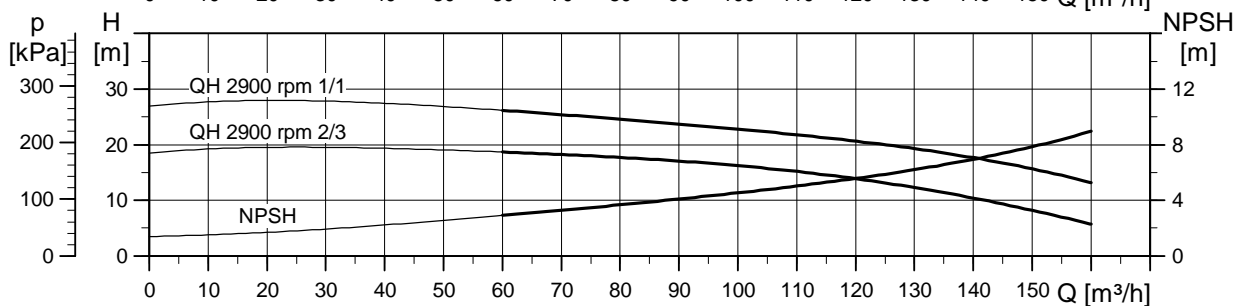
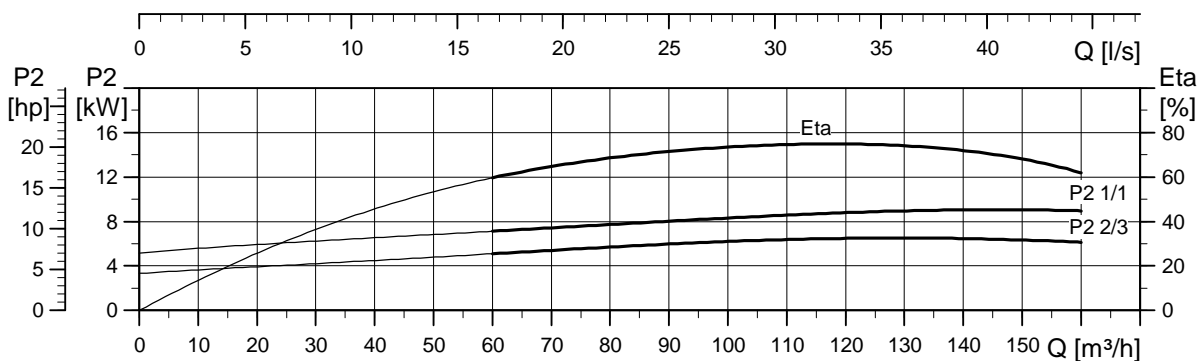
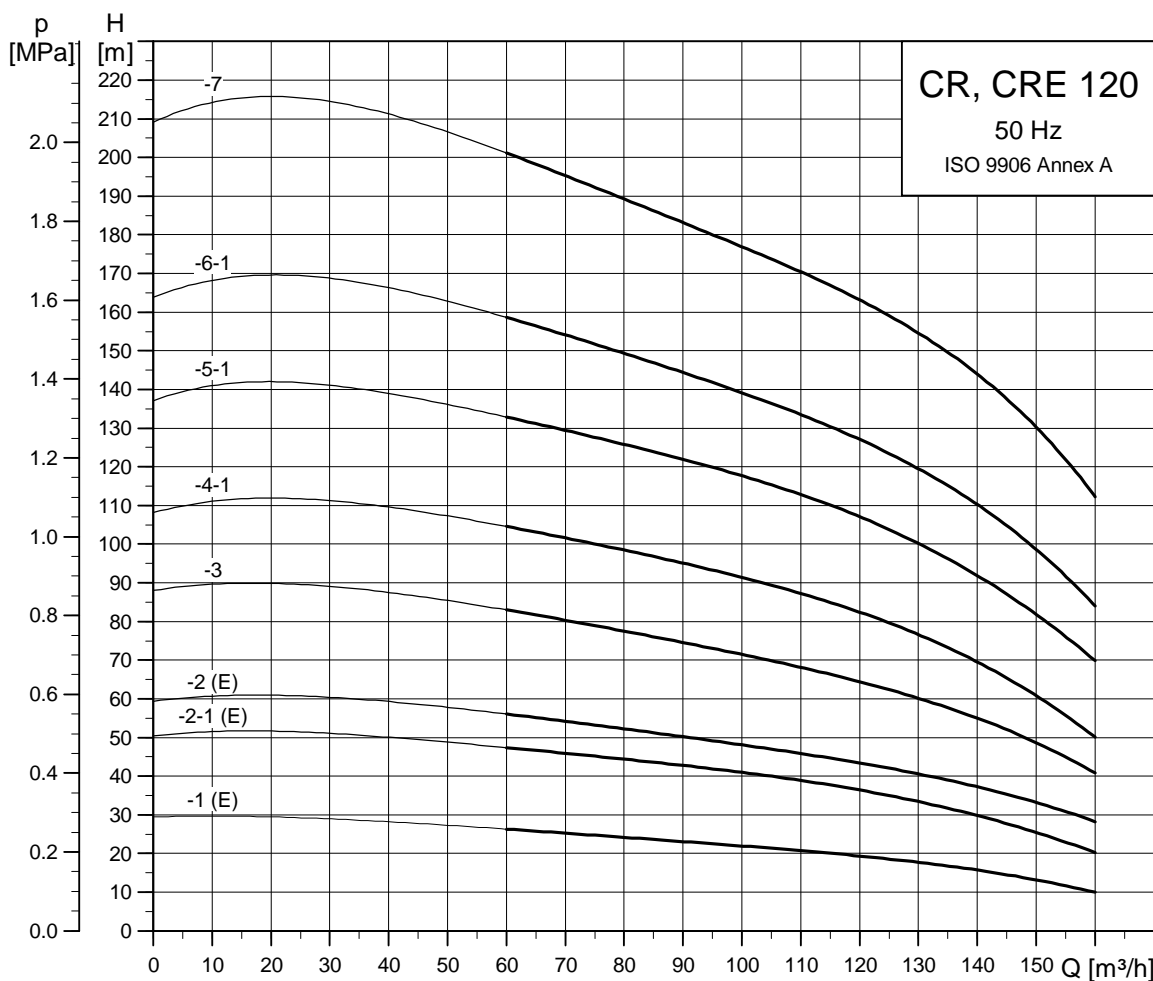


CR-120 , CRN-120 , C RE-120 , CRNE-120

Vertical multistage centrifugal pumps
50 Hz

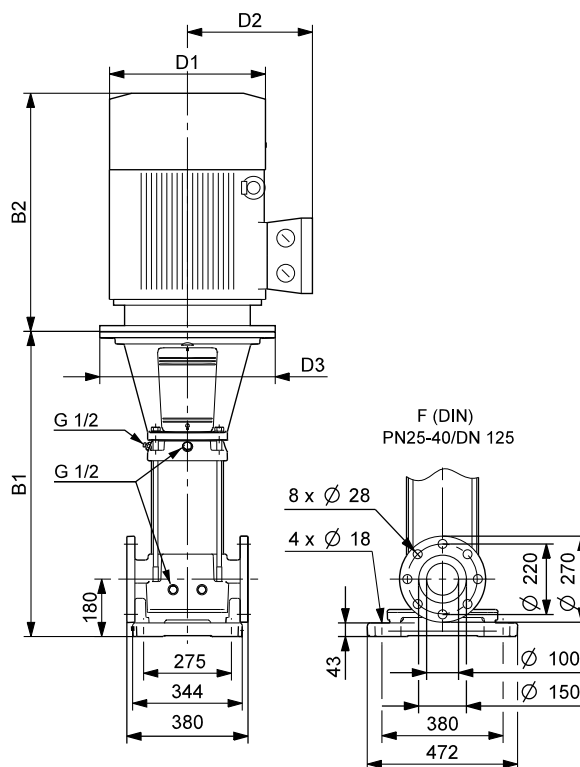


CR, CRE 120



TM03 8743 4708

Dimensional sketch

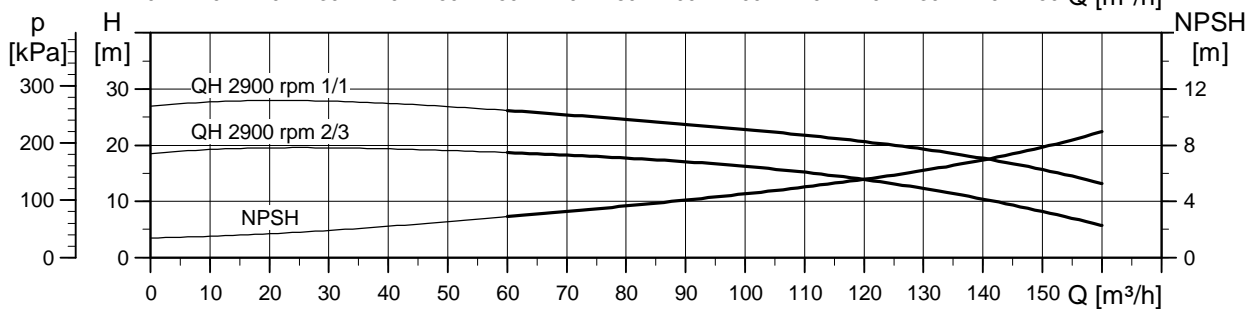
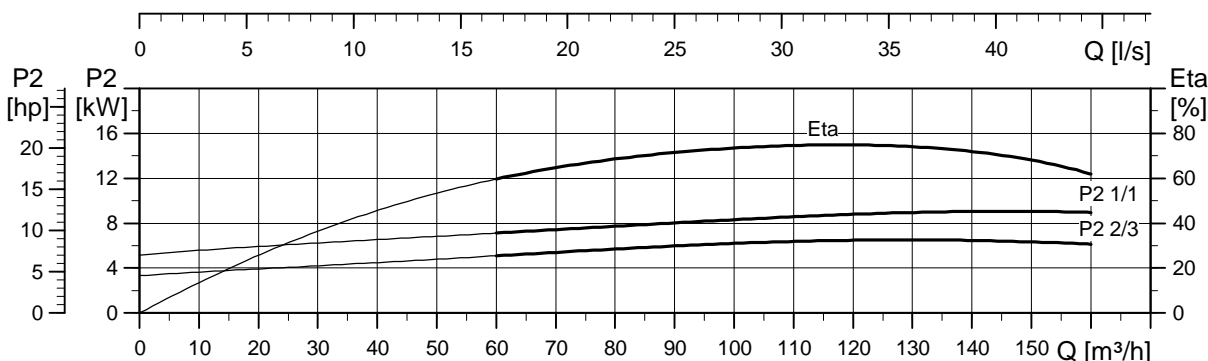
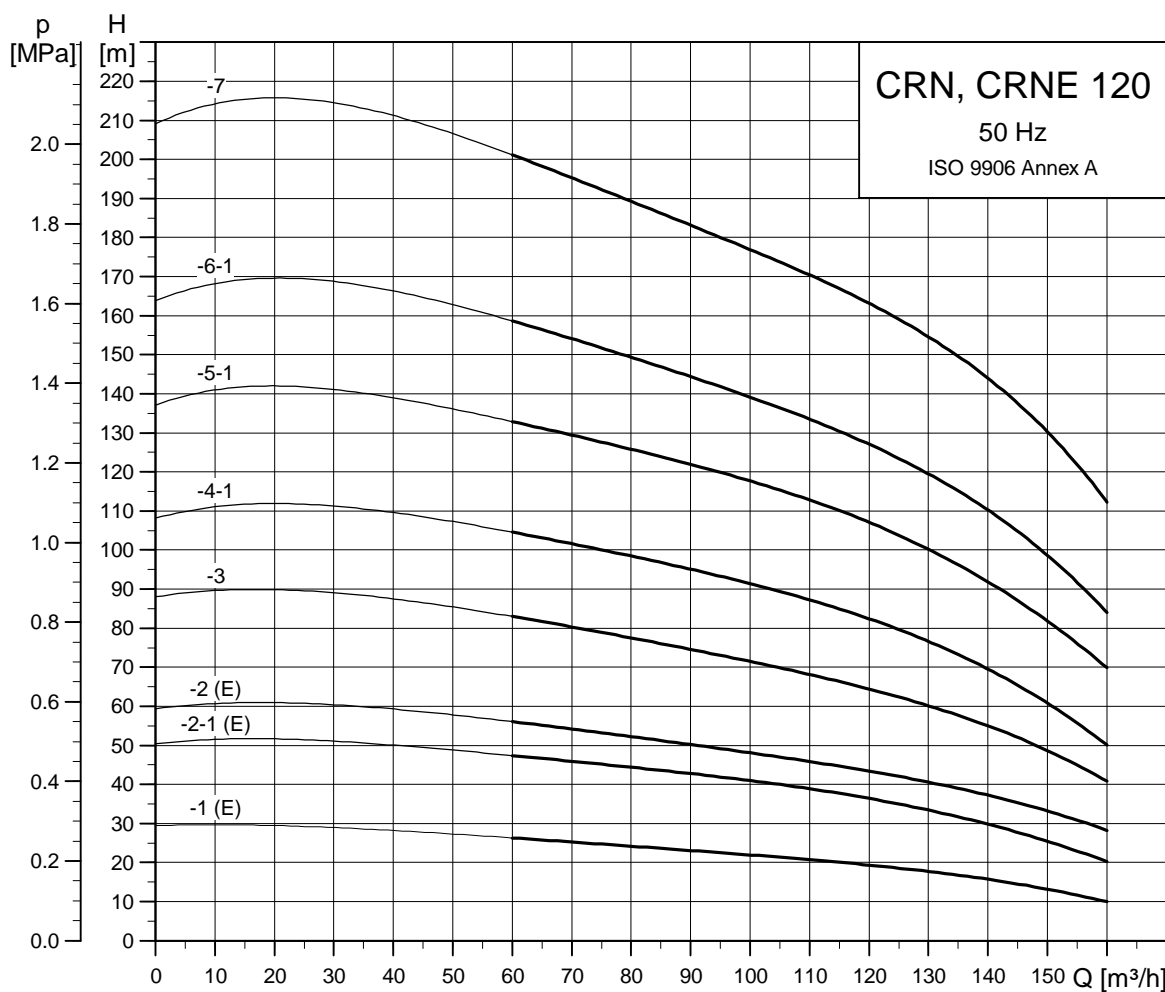


TM03 9704 4407

Dimensions and weights

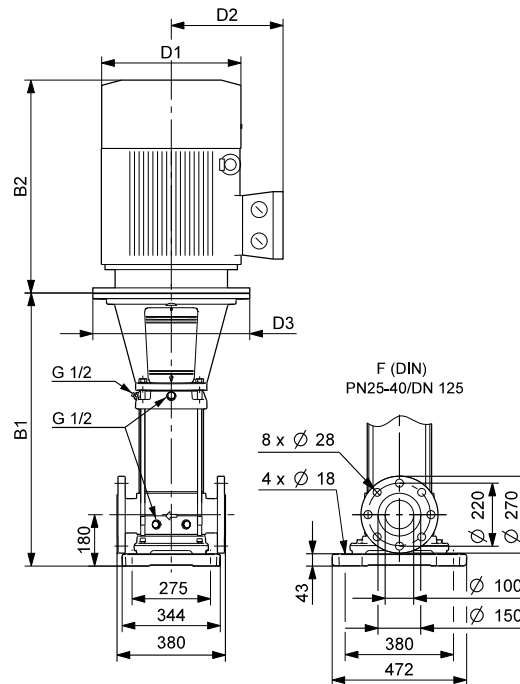
Pump type	Motor P ₂ [kW]	CR					Net weight [kg]	CRE					Net weight [kg]
		Dimension [mm]						Dimension [mm]					
		B1	B1+B2	D1	D2	D3		B1	B1+B2	D1	D2	D3	
CR(E) 120-1	11	834	1305	314	204	350	191	834	1305	314	308	350	221
CR(E) 120-2-1	18.5	990	1505	314	204	350	227	990	1505	314	308	350	258
CR(E) 120-2	22	990	1531	314	204	350	241	990	1531	314	308	350	271
CR 120-3	30	1145	1755	407	315	400	353	-	-	-	-	-	-
CR 120-4-1	37	1301	1968	407	315	400	392	-	-	-	-	-	-
CR 120-5-1	45	1456	2164	439	338	450	487	-	-	-	-	-	-
CR 120-6-1	55	1642	2389	487	410	550	627	-	-	-	-	-	-
CR 120-7	75	1797	2617	540	433	550	741	-	-	-	-	-	-

CRN, CRNE 120



TM03 8744 4708

Dimensional sketch



TM03 9705 2108

Dimensions and weights

Pump type	Motor P ₂ [kW]	CRN						CRNE					
		Dimension [mm]					Net weight [kg]	Dimension [mm]					Net weight [kg]
		B1	B1+B2	D1	D2	D3		B1	B1+B2	D1	D2	D3	
CRN(E) 120-1	11	834	1305	314	204	350	195	834	1305	314	308	350	225
CRN(E) 120-2-1	18.5	990	1505	314	204	350	231	990	1505	314	308	350	262
CRN(E) 120-2	22	990	1531	314	204	350	245	990	1531	314	308	350	275
CRN 120-3	30	1145	1755	407	315	400	357	-	-	-	-	-	-
CRN 120-4-1	37	1301	1968	407	315	400	397	-	-	-	-	-	-
CRN 120-5-1	45	1456	2164	439	338	450	491	-	-	-	-	-	-
CRN 120-6-1	55	1642	2389	487	410	550	631	-	-	-	-	-	-
CRN 120-7	75	1797	2617	540	433	550	755	-	-	-	-	-	-

