

## 86. UMT, UMTD, UPT, UPTD

### UMT, UPT

50/60 Hz, Models A, B, C, D

Coupling complete

Pos.	Kit No	339114	339119	339124	339128	NEMA	NEMA
	Motor/pump shaft diameter [mm]	14/16	19/16	24/16	28/16	15.9/16	28.6/16
Description							
8	Coupling half	2	2	2	2	2	2
9	Screw	4	4	4	4	4	4
10	Pin	1	1	1	1	1	1

### Shaft seal

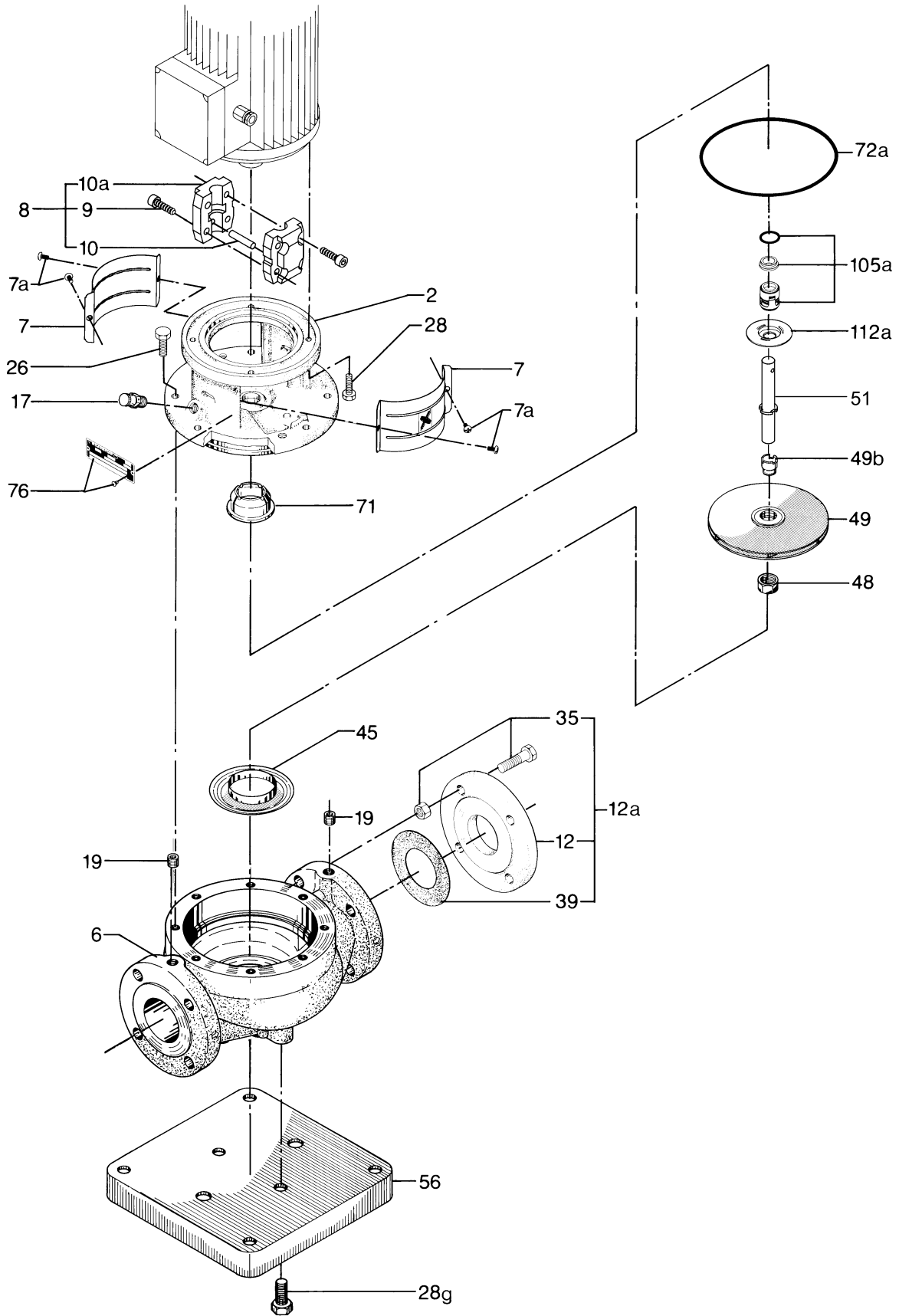
Pos.	Pump shaft diameter [mm]	16					12				
	UMT	40/50/65/80/100									
UPT	40-60/40-120/50/65/80/100					25/32/40-50/40-90					
Kit No	495063	495078	985844	96436691	96436690	495067	96421210	96421211	96421212	96421213	
Pump model	B, C, D					A, B		B, C, D			
Description	AUUE	BUBE	RUUE/V	BQQE	BQQV	CVBE/V	BUUE	BUUV	GUUE	GUUV	
48	Split cone nut	1	1	-	1	1	-	-	-	-	
49b	Split cone	1	1	-	1	1	-	-	-	-	
72a	O-ring	1	1	1	1	1	1	1	1	1	
105a	Shaft seal	1	1	1	1	1	1	1	1	1	

### Wear parts

Pos.	UMT	40/50/65/80/100		
	UPT	40-60/40-120/50/65/80/100		
Kit No	985271	495064	495079	
Pump model	A	B, C, D	B, C, D	
Description	AUUE	BUBE		
9	Coupling screw	4	4	4
10	Coupling pin	1	1	1
48	Split cone nut	1	1	1
49b	Split cone	1	1	1
51	Shaft	1	1	1
71	Distributing cup	1	1	1
72a	O-ring	1	1	1
105a	Shaft seal	1	1	1

Pos.	UPT	25-50	25-90	32-30, 40-50	32-90, 40-90	25-50	25-90
	Kit No	96552581	96552582	96552583	96552584	96552567	96552568
Pump model	A	A	A	A	B	B	
Description	CVBE	CVBE	CVBE	CVBE	CVBE	CVBE	
9	Coupling screw	4	4	4	4	4	4
10	Coupling pin	1	1	1	1	1	1
49 51	Shaft with impeller	1	1	1	1	1	1
72a	O-ring	1	1	1	1	1	1
105a	Shaft seal	1	1	1	1	1	1

UMT, UPT



TM00 5354 2000

**UMTD, UPTD****Coupling complete**

						NEMA	NEMA
Kit No	339114	339119	339124	339128	485133	485134	
Motor/pump shaft diameter [mm]	14/16	19/16	24/16	28/16	15.9/16	28.6/16	
Pos.	Description						
8	Coupling half	2	2	2	2	2	
9	Screw	4	4	4	4	4	
10	Pin	1	1	1	1	1	

**Shaft seal**

Pump shaft diameter [mm]		16					12				
UMT		40/50/65/80/100									
UPT		40-60/40-120/50/65/80/100					25/32/40-50/40-90				
Pos.	Kit No	495063	495078	985844	96436691	96436690	495067	96421210	96421211	96421212	96421213
	Pump model	B, C, D					A, B		B, C, D		
	Description	AUUE	BUBE	RUUE/V	BQQE	BQQV	CVBE/V	BUUE	BUUV	GUUE	GUUV
48	Split cone nut	1	1	-	1	1	-	-	-	-	-
49b	Split cone	1	1	-	1	1	-	-	-	-	-
72a	O-ring	1	1	1	1	1	1	1	1	1	1
105a	Shaft seal	1	1	1	1	1	1	1	1	1	1

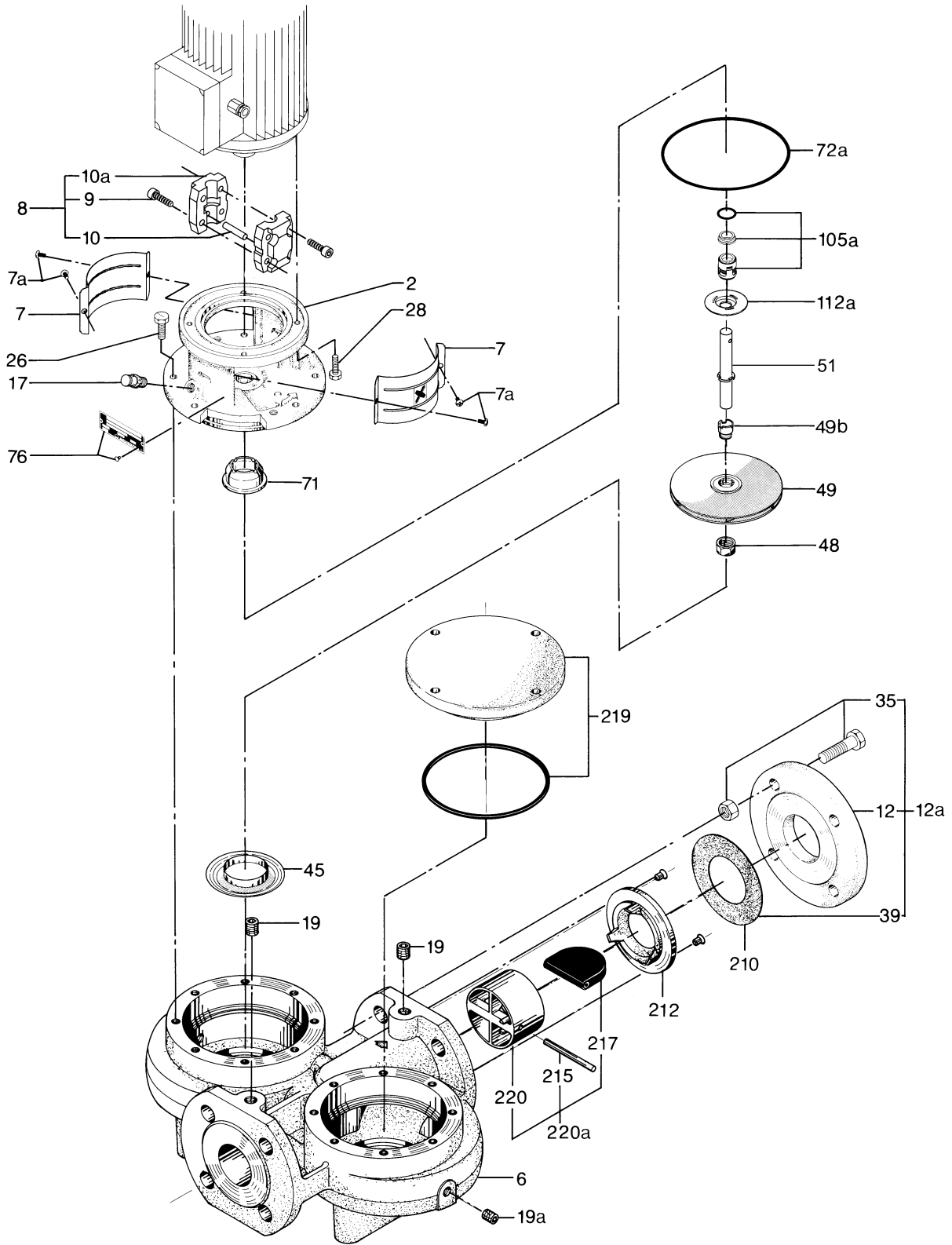
**Wear parts**

UMTD		40/50/65/80/100									
UPTD		40-60/40-120/50/65/80/100					25/32/40-50/40-90				
	Kit No	985271	495064	495079			495068			495083	
	Pump model	A	B, C, D	B, C, D			A			B	
Pos.	Description	AUUE			BUBE	CVBE			CVBE		
9	Coupling screw	4	4	4	4	4	4	4	4	4	
10	Coupling pin	1	1	1	1	1	1	1	1	1	
48	Split cone nut	1	1	1	1	-	-	-	-	-	
49b	Split cone	1	1	1	1	1	1	1	1	1	
51	Shaft	1	1	1	1	1	1	1	1	1	
71	Distributing cup	1	1	1	1	-	-	-	-	-	
72a	O-ring	1	1	1	1	1	1	1	1	1	
105a	Shaft seal	1	1	1	1	1	1	1	1	1	

**Valve for twin-head pumps**

UMTD, UPTD		40
Kit No		545196
Pos.	Description	
215	Pin	1
217	Valve flap	1
220	Non-return valve casing	1

UMTD, UPTD



UMTD, UPTD UMT, UMTD, UPT, UPTD

TM00 5355 2000