

49. MTB

50/60 Hz

Impeller

Pos.	Description/kit No	MTB 50-200/215	MTB 65-160/158	MTB 65-160/171	MTB 65-200/183	MTB 65-200/199
		50 Hz	50 Hz	50 Hz	50 Hz	50 Hz
		96620204	96620179	96620201	96620202	96620203
49	Impeller	1	1	1	1	1

Motor stool complete

Pos.	Description/kit No	3 kW	5.5 kW, 7.5 kW	11 kW, 15 kW
		96620177	96620176	96620178
2	Motor stool	1	1	1
7	Coupling guard	2	2	2
7a	Screw	4	4	4
17	Plug, vent	1	1	1
28a	Set screw	4	4	4
36a	Nut	4	4	4

Pump housing complete

Pos.	Description/kit No	3 kW	5.5 kW, 7.5 kW	11 kW, 15 kW
		96620471	96620472	96620473
6	Pump housing	1	1	1
20	Plug	2	2	2
26	Staybolt	8	6	8
36	Nut	8	6	8

Pump shaft

Pos.	Description/kit No	3 kW	5.5 kW, 7.5 kW	11 kW, 15 kW
		96581495	96581497	96581499
9	Hexagon socket set screw	2	2	2
11	Parallel key	1	1	1
51	Stub shaft	1	1	1
66	Washer	1	1	1
66a	Spring lock washer	1	1	1
67	Nut	1	1	1
103	Bush	1	-	-
103	Spacing bush	-	1	1
103	Spacing bush	-	-	1 ¹⁾
	Spacer 30.5/36 x 10	-	1 ²⁾	-

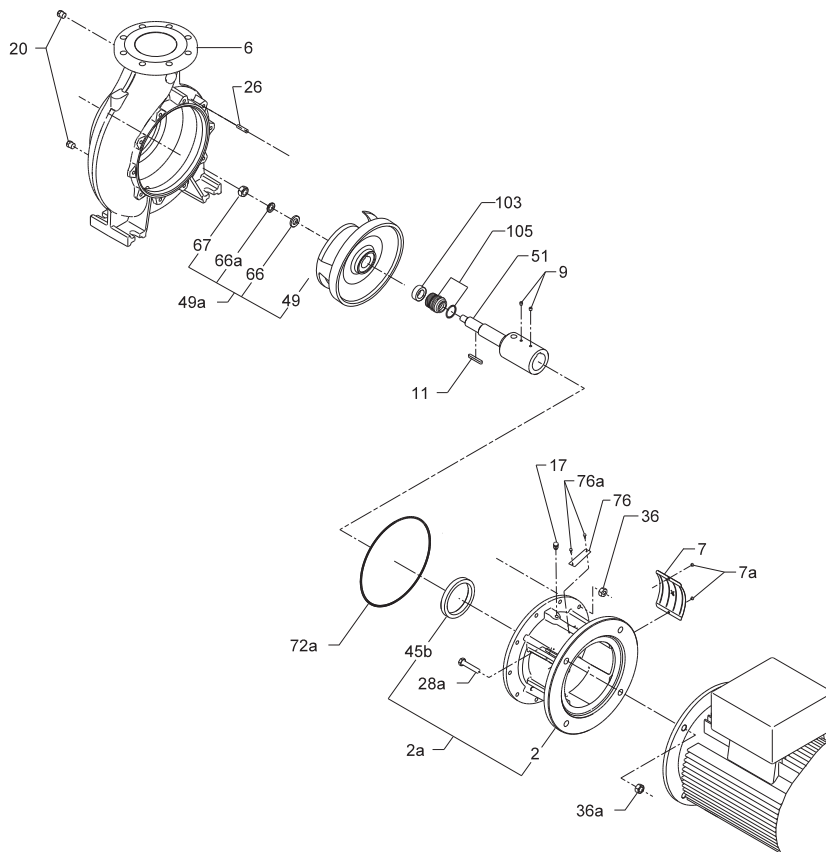
1) Used for MTB 65-200/199, 15 kW

2) Used for MTB 50-200/218, 5.5 kW

Shaft seal

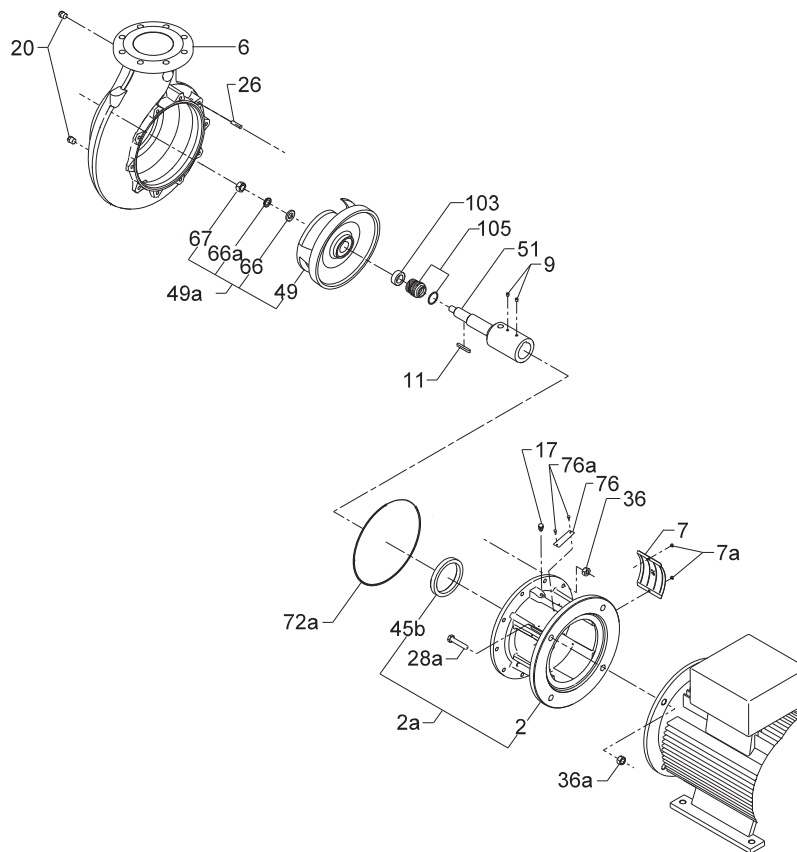
Pos	Description/kit No	96581510
72a	O-ring 177.39 x 3.53, FKM	1
72a	O-ring 221.84 x 3.53, FKM	1
105	Shaft seal	1

MTB 50-200/215, 65-160/158, 65-160/171



TM03 4772 2706

MTB 65-200/183, 65-200/199



TM03 4771 2706