

## 48. MTA, MTAD

### MTA 3, 4, MTAD 7/7

#### Wear parts

Pos.	Description Kit No	MTA 3	MTA 4	MTAD 7/7
		96432596	96432597	96432598
28	Hexagon socket head screw	-	-	3
47	Bearing	1	1	2
47d	Retaining ring	1	1	1
48	Split cone nut	1	1	2
49	Impeller	1	1	2
49b	Split cone	1	1	2
84b	Hexagon socket head screw	3	3	3
104	Diverting disc	-	-	2
105	O-ring	2	2	-
166	Screw	4	4	-

### MTA 30, 60, 90, 120, 200, 20H, 40H, 70H, 100H

#### Bottom suction

Pos.	Description Kit No	MTA 30	MTA 60	MTA 90	MTA 120	MTA 120	MTA 200	MTA 70H
		98073609	98073623	98073627	98073629	98561950	98073630	98561963
49	Impeller, bronze	-	-	-	1	-	1	-
49	Impeller, composite	1	1	1	-	1	-	1
62	Washer	2	2	2	2	2	2	2
188a	Washer	1	1	1	1	1	1	1
188b	Nut	1	1	1	1	1	1	1

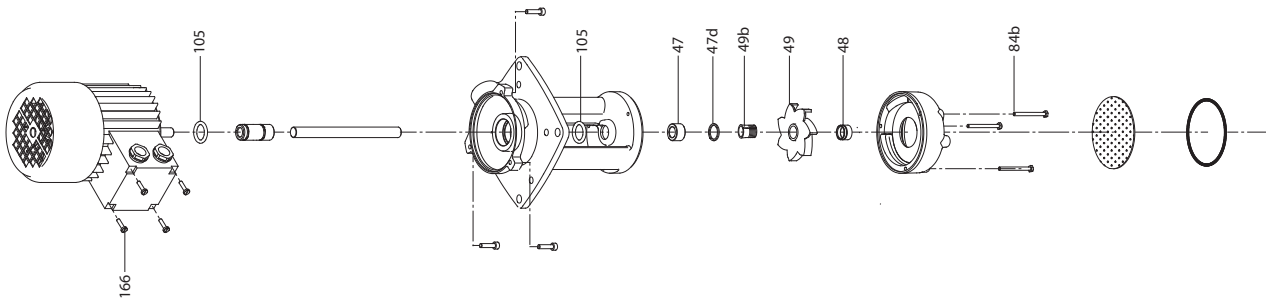
#### Terminal box

Description	MTA 30,60,90,20H,40H,70H	MTA 120,200,100H	MTA 30,60,90,20H,40H,70H	MTA 120,200,100H
Voltage	230 / 400 V	230 / 400 V	200 V	200 V
Kit No	98561965	98561968	98591908	98591909
Terminal box	1	1	1	1

#### Top suction

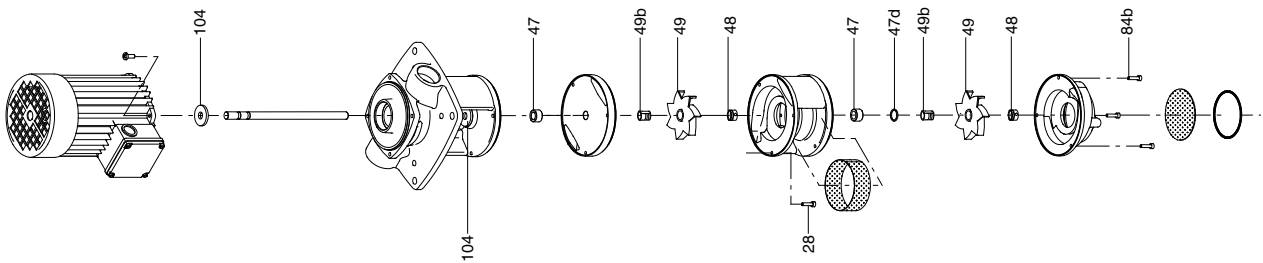
Pos.	Description Kit No	MTA 30	MTA 60	MTA 90	MTA 120	MTA120	MTA 20H	MTA 40H	MTA 70H	MTA 100H
		98073603	98073621	98073625	98073628	98561949	98073641	98073642	98073643	98073644
49	Impeller, bronze	-	-	-	1	-	1	1	1	1
49	Impeller, composite	1	1	1	-	1	-	-	-	-
62	Washer	2	2	2	2	2	2	2	2	2
70	Vortex preventer	-	-	2	2	2	-	-	-	-
188	Bolt	1	1	1	1	1	1	1	1	1
188a	Washer	1	1	1	1	1	1	1	1	1

**MTA 3, 4**



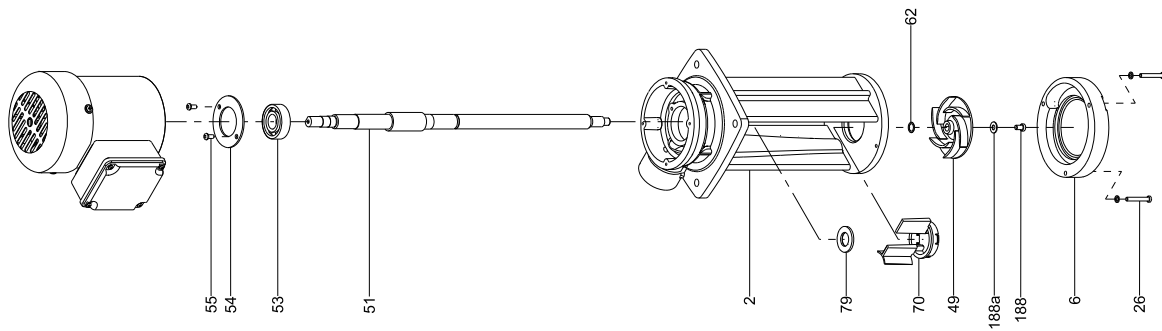
TM01 8556 2202

**MTAD 7/7**



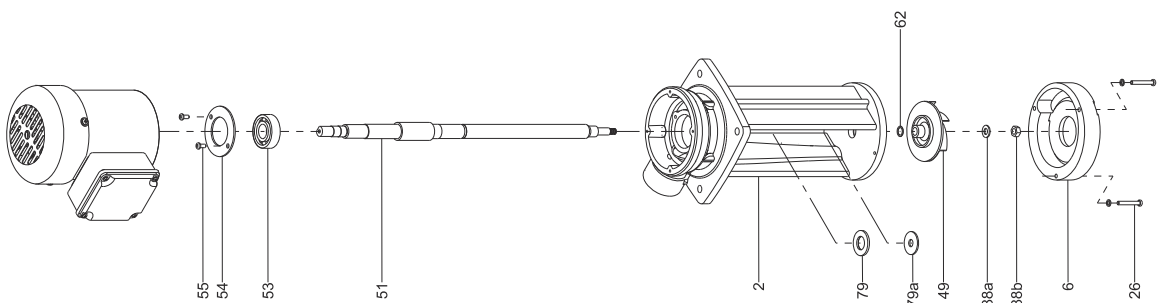
TM01 6910 2202

**30, 60, 90, 120, 20H, 40H, 70H, 100H top suction**



TM05 1996 4211

**30, 60, 90, 120, 200 bottom suction**



TM05 1995 4211