

45. MP 1

From week 22, 1992, pump No 9222

Wear parts

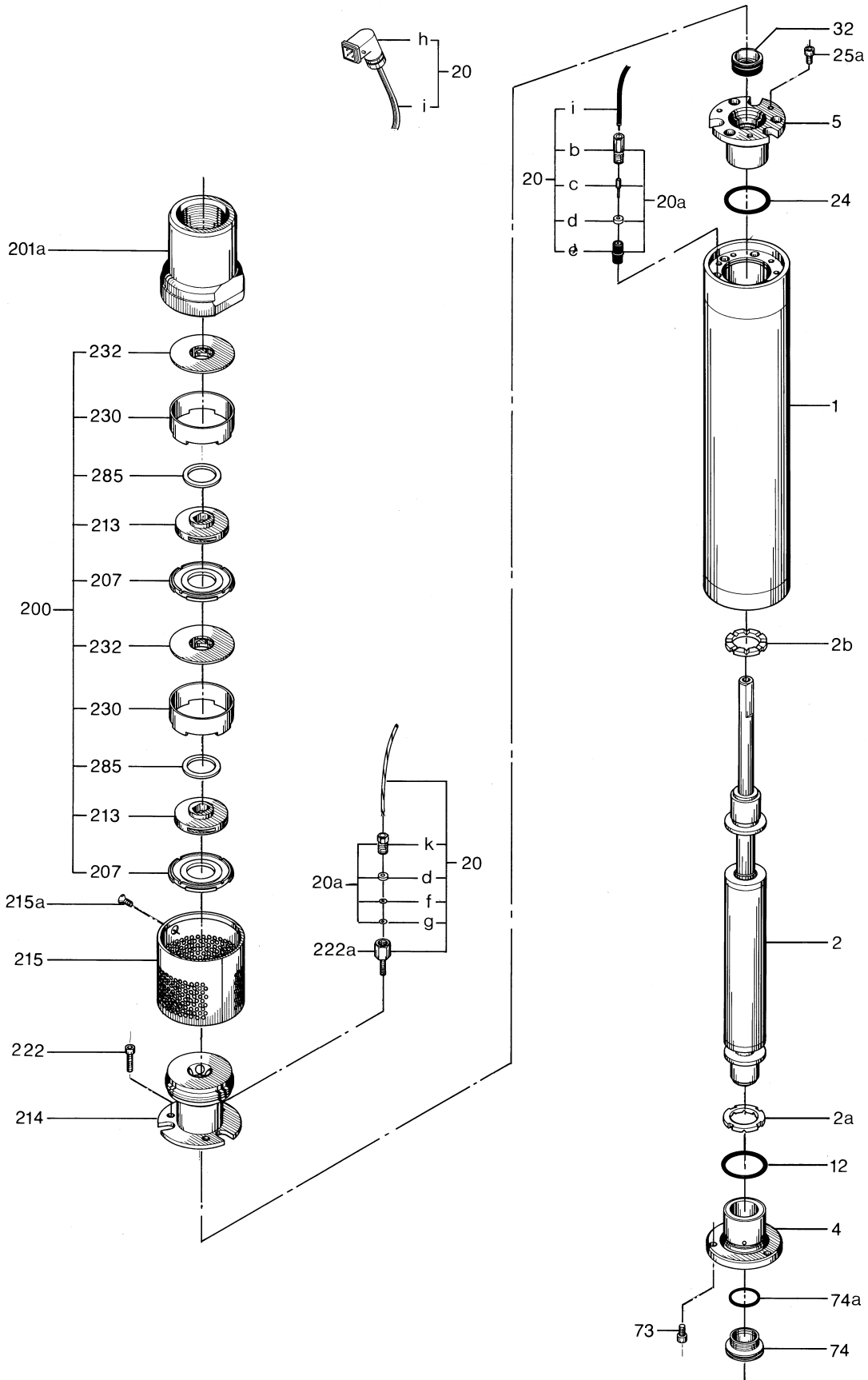
Pos.	Description/kit No	125061	1A5050
207	Seal	2	4
213	Impeller	2	-
230	Intermediate ring	2	-
232	Guide vane	2	-
285	Washer	2	4

Cable

Kit No	1A5041	1A5042	1A5043	1A5044	1A5045	1A5046	1A5047	1A5048	1A5049
Pos.									
20b	3	3	3	3	3	3	3	3	3
20c	3	3	3	3	3	3	3	3	3
20d	4	4	4	4	4	4	4	4	4
20e	3	3	3	3	3	3	3	3	3
20f	1	1	1	1	1	1	1	1	1
20g	1	1	1	1	1	1	1	1	1
20h	1	1	1	1	1	1	1	1	1
20i	10 m	20 m	30 m	40 m	50 m	60 m	70 m	80 m	90 m
20k	1	1	1	1	1	1	1	1	1

MP 1

MP 1



TM00 0865 4092