

## 42. MGE, MLE

### Model F

50/60 Hz

#### Kit, Board

Pos.	Description	[kW]	Kit No
273	Control board	11-22	96348918
275	Inverter board	11	96348919
	Inverter board	22	96348920
274	Rectifier board	11-22	96348921

#### Connector plugs

Description	[kW]	Kit No
Connector plugs	11-22	96348923

#### Control panel

Pos.	Description	Kit No
259	Control panel, standard	96348924
	Control panel, building service	96348925
	Control panel, blind cover	96348926

#### EMC cable gland

Description		Kit No
EMC cable gland	M40 x 1.5	96348974

#### EMC filter

Description	Kit No
EMC filter	96478309

#### Functional modules

Pos.	Description	Kit No
263	Functional module, pump add-on	96348929
	Functional module, Multi-E	96348930
	Functional module, TPED	96348931
	Functional module, GENIbus/RS485	96348932
	Functional module, LON	96348933
	Functional module, PROFIBUS	96348934
	Functional module, Ethernet	96348935
	Functional module, advanced add-on	96348936
	Functional module, Modbus	96348948
	Functional module, GSM	96348949

#### Harmonic filter

Description	Kit No
Harmonic filter	96348985

#### Motor

Pump type		11 kW	15 kW	18.5 kW	22 kW
CRE	2-pole B5	96844357	96844358	96844359	96844360
	2-pole B35	96844385	96844387	96844388	96844389
NBE	4-pole B35	96844397	96844400	96844401	-
	2-pole B3	96844390	96844391	96844392	96844393
NKE	4-pole B3	96844402	96844404	96844405	-
	2-pole B5	96844379	96844380	96844382	96844384
TPE	4-pole B5	96844394	96844395	96844396	-

#### Terminal box

Description	[kW]	Kit No
Terminal box complete	11	96348913
Terminal box complete	15-22	96348914

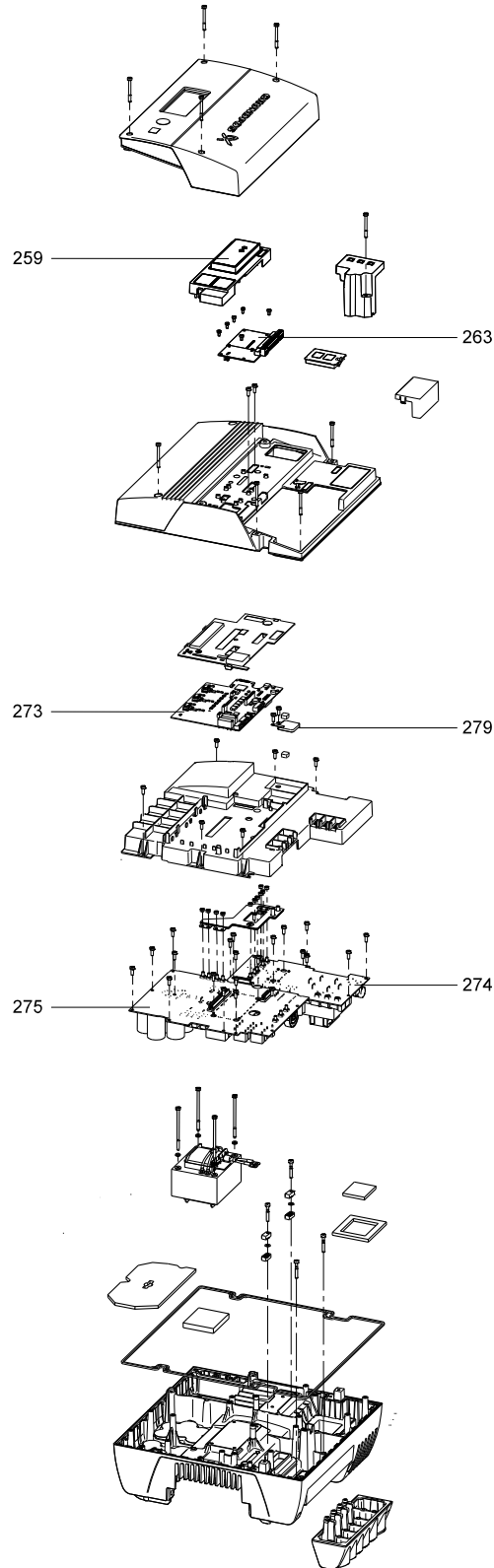
#### Varistor

Pos.	Description	[kW]	Kit No
279	Varistor	11-22	96348917

#### Upgrade kit

Description	Motor type	MGE 11-22 kW	MLE 11-22kW
	Kit No	96348972	96348973
Cable gland	M16	2	-
Adapter	M16 x 1.5 - NPT 3/4"	-	2
Nut	M16 x 1.5	2	2

Terminal box



TM04 2443 2508