

31. Hydro Multi-B

50/60 Hz

Controller, CU 323

Pos.	Description	2 pumps	3 pumps	4 pumps
	Kit No	97896795	97896796	97896797
-	Controller	1	1	1

Non-return valve

Pos.	Description	DN 32	DN 40	DN 50	DN 65
	Kit No	96637443	96637444	96637445	96637446
405	Non-return valve	1	1	1	1

O-ring and gasket

Pos.	Description		CM1/3	CM5	CM10	CM15	CM25
	Kit No	Type	97896843	97896844	97896845	97896846	97896847
414	O-ring for pump (inlet/outlet)	EPDM	1	1	1	1	1
415	Gasket for PJE coupling	EPDM	1	1	1	1	1
416	Gasket for manifold	EPDM	-	-	1	1	1

Plug for controller

Pos.	Description	
	Kit No	97896848
-	Plug with assembly set for CU 323	1

Pressure gauge

Pos.	Description	10 bar	16 bar
	Kit No	97896856	97896855
462	Pressure gauge	1	1

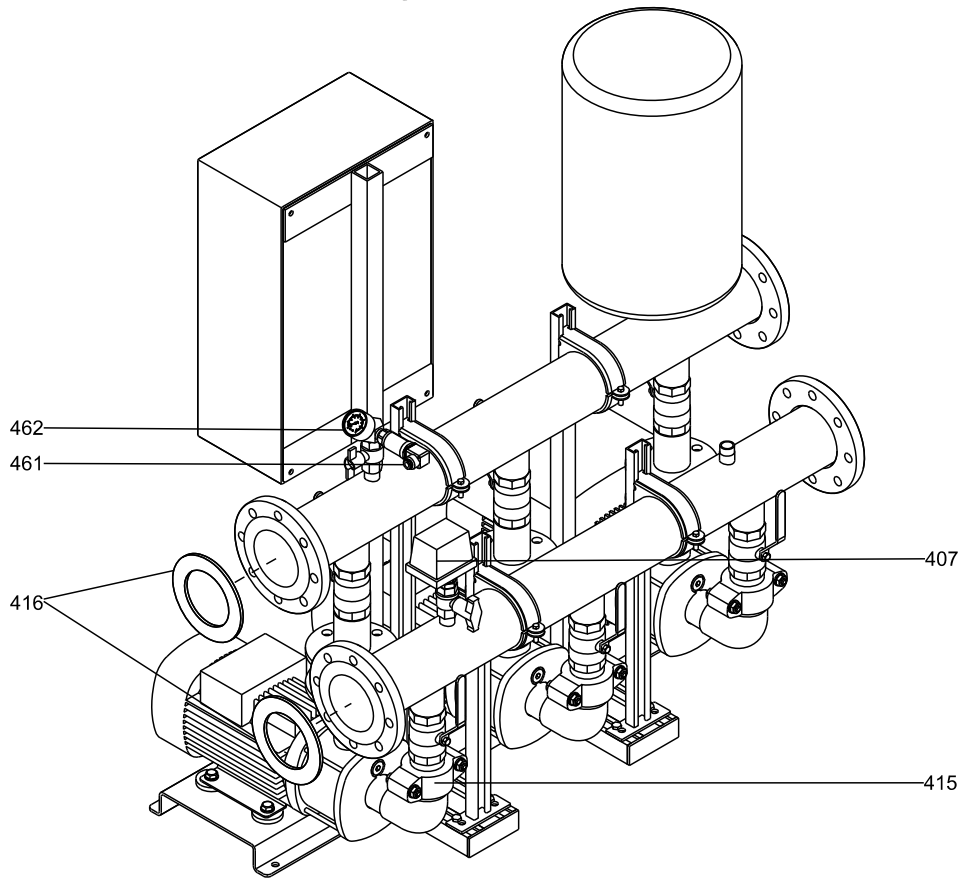
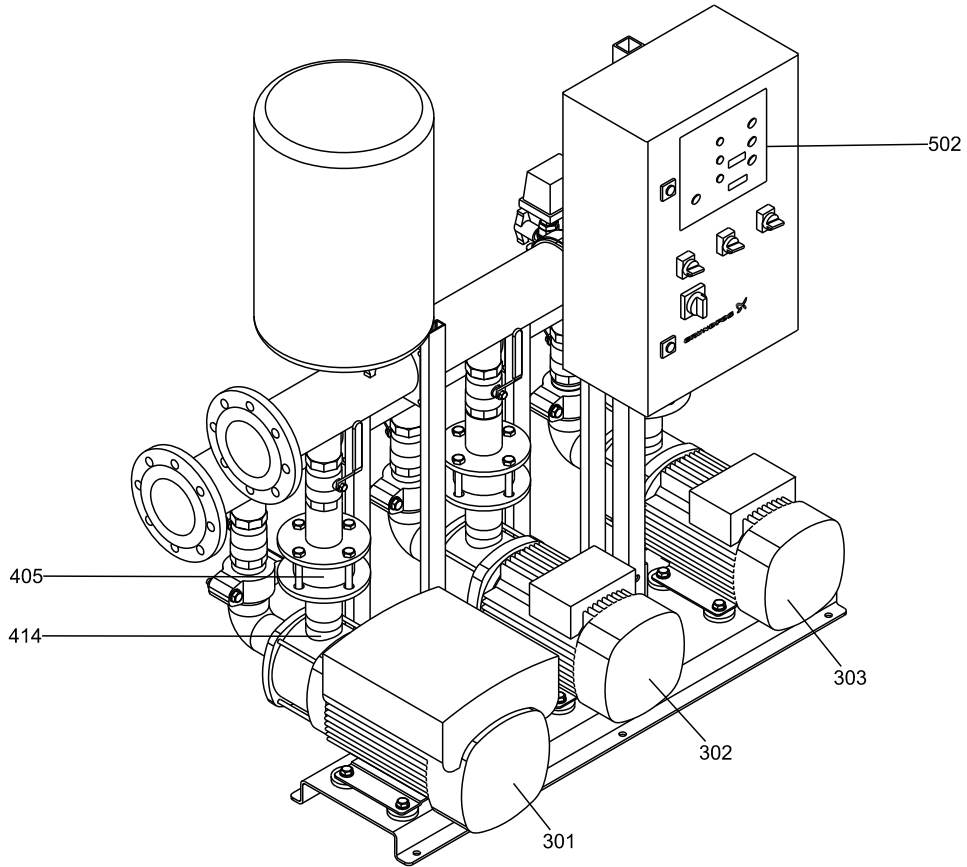
Pressure switch

Pos.	Description	1 bar	6 bar
	Kit No	97896853	97896854
407	Pressure switch, 1-phase 2-pole	1	1

Sensor

Pos.	Description	1 bar	6 bar	10 bar	16 bar
	Kit No	96637449	97896849	96637452	96637453
461	Pressure sensor 4-20 mA	1	1	1	1

Hydro Multi-B



TIM05 1097 4611