

## 28. GT Tanks

### GT-U 10 bar, coated steel flange

#### Bladder

Pos.	Description	GT-U-								
		80	100	200	300	400	500	600	800	1000
	Kit No	96588697	96588699	96588698	96588698	96588698	96588742	96846168	96846170	96846182
2	Bladder	1	1	1	1	1	1	1	1	1

Pos.	Description	GT-U-				
		1500	2000	3000	4000	5000
	Kit No	96588746	96588747	96588748	96846184	96846185
2	Bladder	1	1	1	1	1

### GT-U 16 bar, coated steel flange

#### Bladder

Pos.	Description	GT-U-								
		80	100	200	300	400	500	600	800	1000
	Kit No	96588697	96588699	96588698	96588698	96588698	96588742	96846168	96846170	96846182
2	Bladder	1	1	1	1	1	1	1	1	1

Pos.	Description	GT-U-				
		1500	2000	3000	4000	5000
	Kit No	96588746	96588747	96588748	96846184	96846185
2	Bladder	1	1	1	1	1

### GT-U 25 bar, coated steel flange

#### Bladder

Pos.	Description	GT-U-										
		80	120	180	300	400	600	800	1000	1500	2000	3000
	Kit No	96588741	96588740	96588742	96588698	96588698	96588743	96588744	96588745	96588746	96588747	96588748
2	Bladder	1	1	1	1	1	1	1	1	1	1	1

### GT-U 10 bar, stainless steel flange

#### Bladder

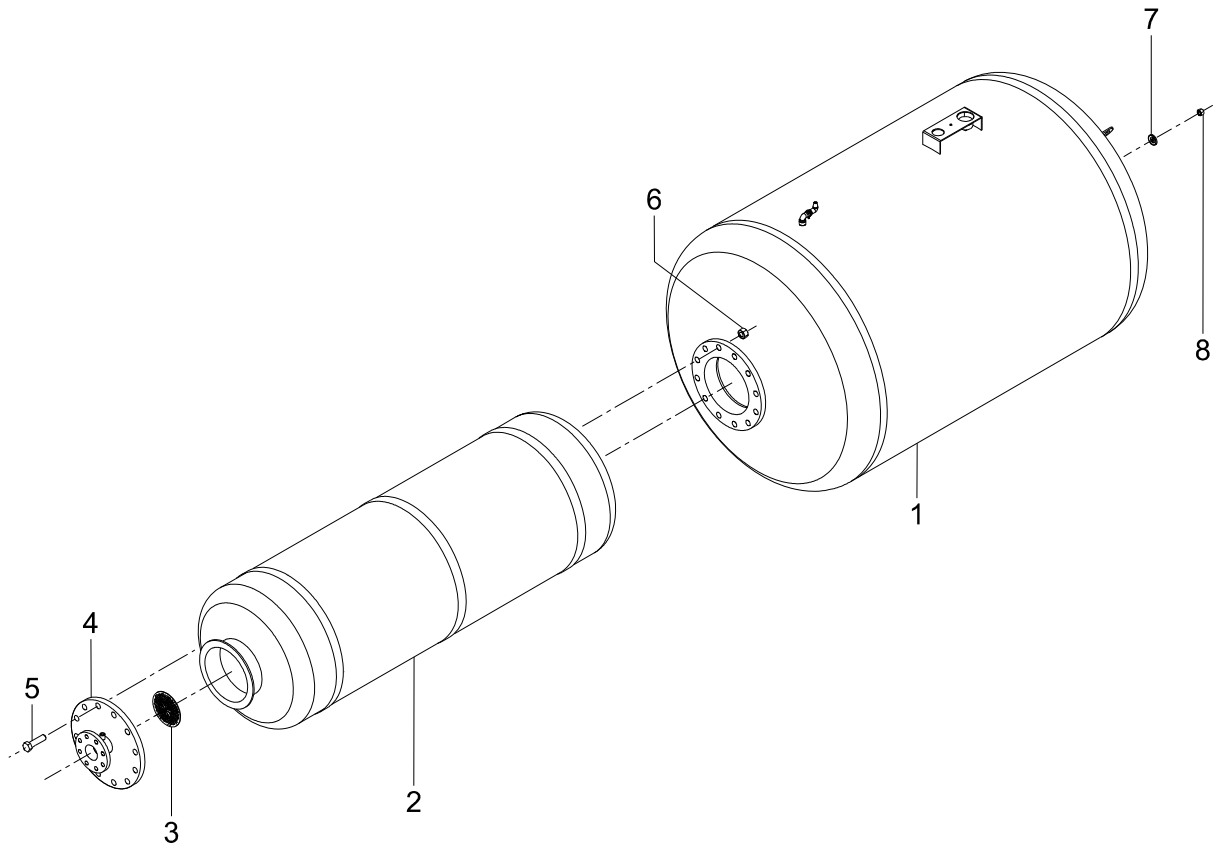
Pos.	Description	GT-U-								
		80	100	200	300	400	500	600	800	1000
	Kit No	96588697	96588699	96588741	96588741	96588698	96588742	96846168	96846170	96588745
2	Bladder	1	1	1	1	1	1	1	1	1

### GT-U 16 bar, stainless steel flange

#### Bladder

Pos.	Description	GT-U-								
		80	100	200	300	400	500	600	800	1000
	Kit No	96588697	96588699	96588698	96588698	96588698	96588742	96846168	96846170	96846182
2	Bladder	1	1	1	1	1	1	1	1	1

GT-U



TM06 2351 4014

GT-U 16 bar, stainless steel flange GT Tanks