

## 18. CR MAGdrive

### CR, CRI, CRN 1-90

#### 50/60 Hz

##### Bearing, (before week 0744)

Pos.	Description	MAK66
	Kit No	96462604
253	Axial bearing, upper	1
255	Bearing (rotating)	1
258	Bearing complete (stationary)	1
259	Axial bearing, lower with seal driver	1

##### Bearing housing (from 0744)

Pos.	Description - Kit No	96748864
658	Bearing housing complete	1

##### Fitting kit for inner drive (from 0744)

Pos.	Description	CRN 1 - 20	CRN 32 - 90
	Kit No	96766787	96766785
651	Spacer	1	1
656	Washer set	1	1
657	Lock nut	1	1

##### Inner drive (from 0744)

The inner drive kit consists of one inner drive, complete (pos. 652) and one can (pos. 661).

Motor size [kW]	CRN 1, 3, 5	CRN 10, 15, 20	CRN 32, 45, 64, 90
0.37 - 1.5	96749023	96749028	
2.2 - 3.0	96749025	96749030	
4.0	96749026	96749042	
5.5	96749027	96749043	
7.5		96749044	
11 - 22		96749045	

##### O-ring for pump (before week 0744)

Pos.	Rubber type	EPDM	FKM	FFKM	FXM
	Description/ Kit No	96533485	96533483	96533484	96463944
37	O-ring 137.5 x 3.3	2	2	2	2
38	O-ring				1
100	16.3 x 2.4	1	1	1	2
109	O-ring 78 x 3	1	1	1	-
-	O-ring 22 x 2.75				1

##### O-ring (from 0744)

Pos.	Description	EPDM + FKM	FXM	FFKM
		96748763	96748769	96748770
109	O-ring 77.8 x 1.5	2 + 2	2	2
653a	O-ring	1 + 1	1	1

##### Kit support washer (from 0744)

Pos.	Description	CRN 1s, 1, 3	CRN 5	CRN 10, 15, 20	CRN 32, 45, 64, 90
		98345811	98345790	97949632	98345812
660	Kit support washer	1	1	1	1

##### Outer drive (from 0744)

The outer drive kit consists of one outer drive (pos. 654) and two set screws (pos. 9).

Motor size [kW]	CRN 1, 3, 5	CRN 10, 15, 20	CRN 32, 45, 64, 90
0.37 - 0.55	96749047	96749065	-
0.75 - 1.1	96749048	96749066	-
1.5	96749049	96749067	96749072
2.2	96749051	96749068	96749074
3.0	96749062	96749069	96749075
4.0	96749063	96749070	96749076
5.5	96749064	96749071	96749077
7.5	-	96749078	96749083
11 - 15 - 18.5	-	96749080	96749084
22	-	-	96749086

##### Outer drive Nema motors

Motor size [Hp] / [Frame]	CRN 1, 3, 5	CRN 10, 15, 20	CRN 32, 45, 64, 90
0.5 - 2.0	98406709	98406734	-
3.0 / 56C	98406710	98406735	-
3.0 / 182TC	98406731	98406736	98406739
5.0	98406732	98406737	98406740
7.5	98406733	98406738	98406741
10.0	-	98558436	98558548
15.0 - 20.0	-	98558438	98558549
25.0 - 30.0	-	98558546	98558554

##### Radial bearing (from 0744)

Pos.	Description	1, 3, 5	10, 15, 20	32, 45, 64, 90
		96748870	97526492	97526493
655	Bearing ring	1	1	1

##### Spacer (from 0744)

Pos.	Description	CRN 1 to 20	CRN 32 to 90
		CRN 32 to 90 to 1112	CRN 32 to 90 from 1111
		96750527	97855436
	Spacer for bearing house, 1 mm	1	1
662	Spacer for bearing house, 1.5 mm	1	1
	Spacer for bearing house, 2 mm	1	1

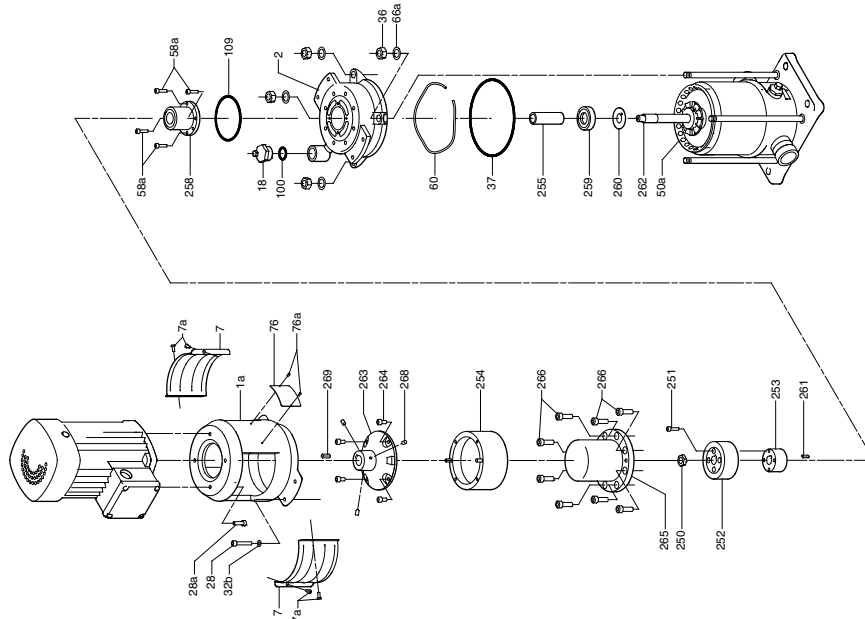
##### Thrust bearing (from 0744)

Pos.	Description	96748866
653	Thrust bearing, rotating, 3 holes cpl.	1
	Thrust bearing, rotating, 6 holes cpl.	-

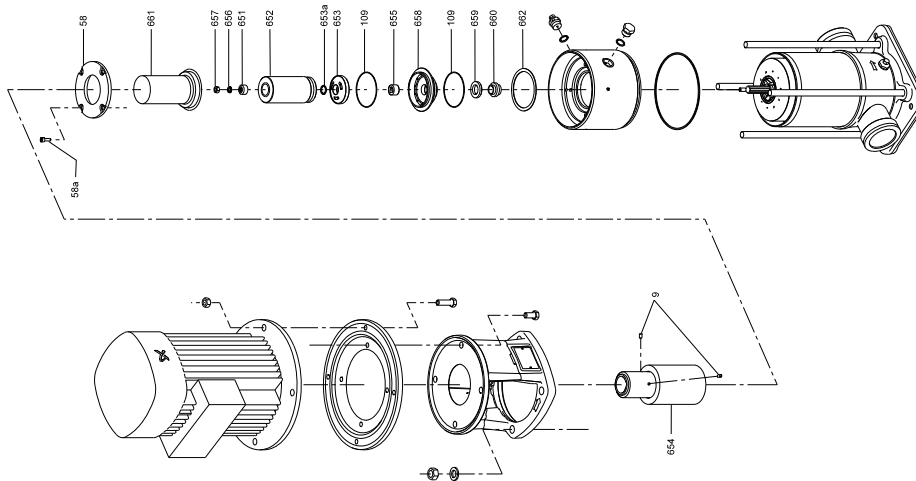
##### Uphrust bearing (from 0744)

Pos.	Description	96748884
659	Uphrust bearing, outer part	1

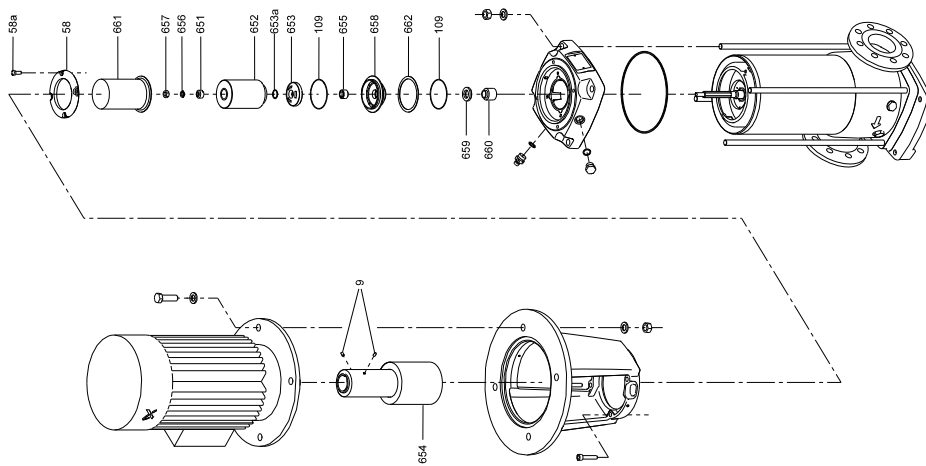
**CR1, CRN 1, 3, 5 MAGdrive produced before week 44, 2007**



**CRN 1, 1s, 3, 5, 10, 15, 20 MAGdrive produced from week 44, 2007**



**CRN 32, 45, 64, 90 MAGdrive produced from week 44, 2007**



TM02 8552 0504

TM03 9356 3807

TM03 9356 3807