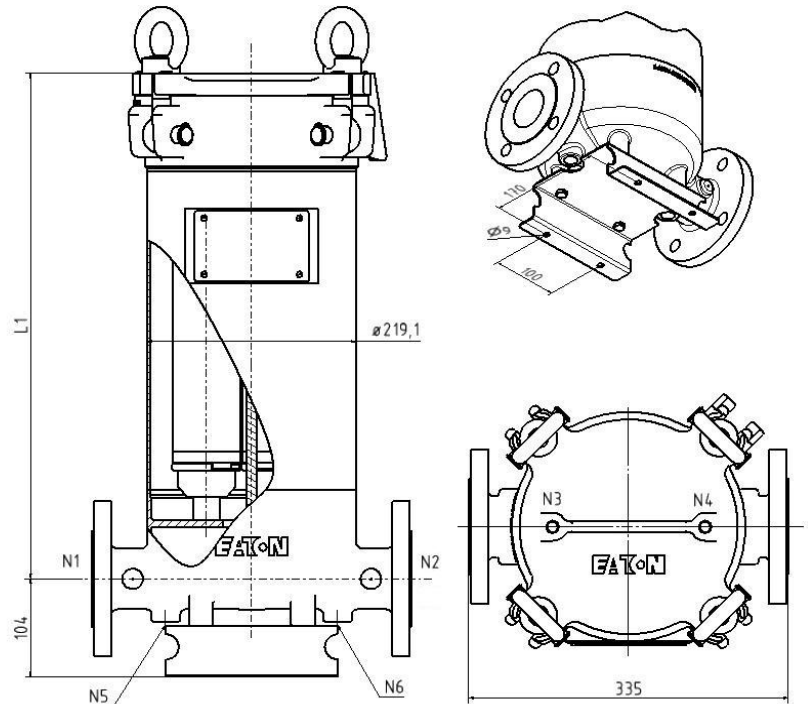


## TOPCART Cartridge filter TKF-510 / 520 / 530 / 540-AD10-050D-226



Specification*	TKF-510-AD10-050D-226	TKF-520-AD10-050D-226	TKF-530-AD10-050D-226	TKF-540-AD10-050D-226
Code No.	F650310	F650311	F650312	F650313
Material housing	1.4408 (CF8M) 1.4571 (SS316Ti)	1.4408 (CF8M) 1.4571 (SS316Ti)	1.4408 (CF8M) 1.4571 (SS316Ti)	1.4408 (CF8M) 1.4571 (SS316Ti)
Material gasket	NBR-O-Ring **	NBR-O-Ring **	NBR-O-Ring **	NBR-O-Ring **
Max. Operating Pressure [bar]	10	10	10	10
Max. Operating Temperature [°C]	160	160	160	160
Connections N1/N2	DN 50 / PN 16	DN 50 / PN 16	DN 50 / PN 16	DN 50 / PN 16
Vent (N3/N4)	2 x ISO 228-1 – G ¼"	2 x ISO 228-1 – G ¼"	2 x ISO 228-1 – G ¼"	2 x ISO 228-1 – G ¼"
Drain (N5/N6)	2 x ISO 228-1 – G ½"	2 x ISO 228-1 – G ½"	2 x ISO 228-1 – G ½"	2 x ISO 228-1 – G ½"
Weight [kg]	42	46,5	50,7	55
Volume [L]	16	24	32	40
Cartridge length	9 ¾" = 248 mm 10" = 254 mm	19 ½" = 495 mm 20" = 508 mm	29 ¼" = 743 mm 30" = 762 mm	39" = 991 mm 40" = 1016 mm
Cartridge type	SOE 226	SOE 226	SOE 226	SOE 226
Dimension L1 [mm]	539	793	1047	1301

\* Changes possible w/o notice

\*\* Optional: EPD; FPM