

LENNTECH

Tefzel-Lined Basket Strainer

Pipeline
Strainer

Cast
Construction

Permanent
Media

Model 72L



- Carbon steel with Tefzel® liner
- Corrosion resistant
- Sizes 1" to 6"
- Flanged

Features

- Excellent corrosion resistance
- Abrasion resistant 1/8" Tefzel lining
- Tefzel-coated baskets
- Service temperatures to 300 °F (149 °C)
- Quick opening covers
- Large capacity baskets
- Flanged drain
- Low cost alternative to exotic alloy strainers

Options

- MONEL® baskets
- HASTELLOY® C baskets
- Consult Eaton for available perf and mesh sizes

Tefzel® and Viton® are registered trademarks of E. I. du Pont de Nemours and company.
MONEL® is a registered trademark of Special Metals Corporation group of Companies.
HASTELLOY® is a registered trademark of Haynes International Inc.

A continuous lining of advanced fluoropolymer resin makes the Eaton Model 72L simplex strainer an excellent low cost alternative to exotic alloy strainers in a wide variety of piping applications. These applications include wastewater treatment, paper mills, hazardous materials, flue gas systems, ultra pure water handling, chemical and petrochemical processing. The basic design of the Model 72L is Eaton's time tested Model 72 simplex basket strainer.

The body and cover of the Model 72L are lined, not just coated with Tefzel. This protects all wetted surfaces of the strainer, making it impervious to attack by chemicals that can cause rapid deterioration of other types of plastics and all but the most costly metal alloys.

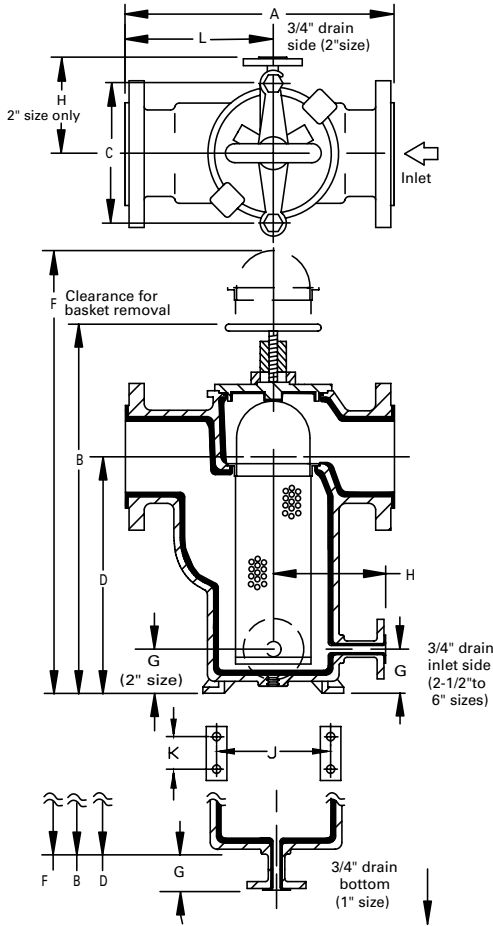
The Tefzel fluoropolymer lining is inert to strong mineral acids, inorganic bases, halogens and metal salt solutions. Even carboxylic acids, anhydrides, aromatic and aliphatic hydrocarbons, alcohols, aldehydes, ketones, ethers, esters, chlorocarbons and classic polymer solvents have no effect on the Tefzel lining. Service temperatures can range up to 300 °F (149 °C) in many applications. The lining also displays excellent mechanical strength when handling abrasive slurries.

Fitted with fluoropolymer coated perforated baskets or mesh baskets made of MONEL or HASTELLOY C, these strainers can be used in almost any lined piping or similar corrosive/abrasive strainer application.

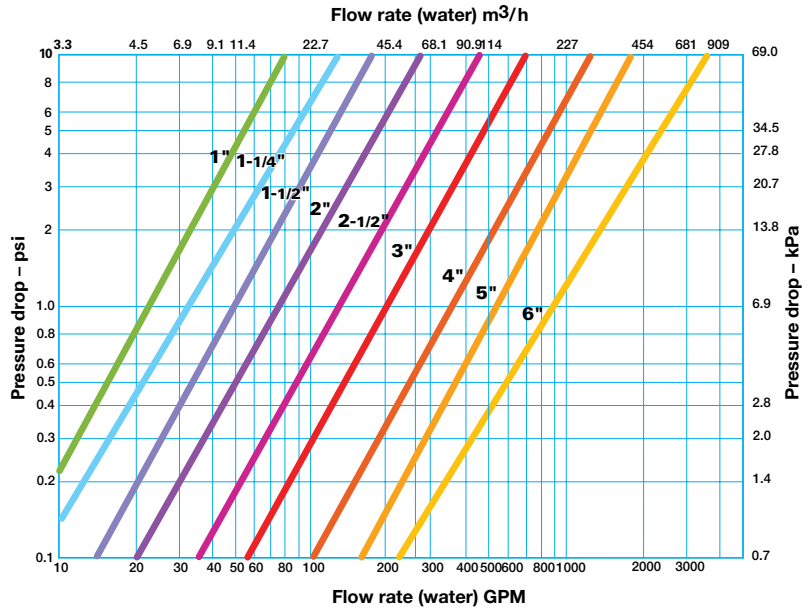
EATON

Powering Business Worldwide

Model 72L Tefzel-Lined Basket Strainer



Dimensions and weights are for reference only. Contact Eaton for certified drawings.



Selection chart

| Size | Material | End connections | Seals | Pressure rating |
|----------|--------------------------------|-----------------|--------|----------------------------------------|
| 1" to 6" | Carbon steel with Tefzel liner | Flanged 150# | Viton® | 200 psi @ 100 °F (13.8 bar @ 38 °C) |

Dimensions (in/mm)

| Pipe size | A | B | C | D | F | G | H | J | K | L | Dry wt (lb / kg) |
|-----------|-------------|-------------|-------------|-------------|-----------|-----------|------------|-------------|------------|-------------|------------------|
| 1 | 7.88 / 200 | 9.00 / 229 | 4.00 / 102 | 5.00 / 127 | 12 / 305 | 2.75 / 70 | - | - | - | 4.50 / 114 | 15 / 7 |
| 2 | 10.75 / 273 | 13.75 / 349 | 6.75 / 172 | 7.63 / 194 | 20 / 508 | 1.88 / 48 | 5.63 / 143 | 5.50 / 140 | 2.50 / 64 | 5.88 / 149 | 48 / 22 |
| 2-1/2 | 11.88 / 302 | 15.75 / 400 | 8.00 / 203 | 8.88 / 226 | 23 / 584 | 2.19 / 56 | 6.25 / 159 | 6.50 / 165 | 2.88 / 73 | 6.50 / 165 | 70 / 32 |
| 3 | 13.75 / 349 | 18.75 / 476 | 8.00 / 203 | 12.00 / 305 | 27 / 686 | 2.31 / 59 | 6.38 / 162 | 7.00 / 118 | 3.13 / 80 | 7.38 / 187 | 95 / 43 |
| 4 | 17.50 / 445 | 20.00 / 508 | 10.75 / 273 | 10.69 / 272 | 30 / 762 | 2.38 / 60 | 7.75 / 197 | 10.00 / 254 | 3.88 / 99 | 9.75 / 248 | 139 / 63 |
| 6 | 19.88 / 505 | 28.25 / 718 | 10.75 / 273 | 18.31 / 465 | 46 / 1168 | 2.19 / 56 | 7.88 / 200 | 10.00 / 254 | 5.00 / 127 | 11.00 / 279 | 250 / 1134 |

C_v factors*

| Size | Value |
|--------|-------|
| 1" | 23 |
| 2" | 72 |
| 2-1/2" | 135 |
| 3" | 170 |
| 4" | 350 |
| 6" | 880 |

* For water with clean, perforated basket

Basket & screen effective area – Tefzel-coated basket

| Pipe size (in) | Perf. size (in) | Pipe area (in ²) | Screen area (in ²) | Free area (in ²) | Free/pipe ratio |
|----------------|-----------------|------------------------------|--------------------------------|------------------------------|-----------------|
| 1" | 1/32 | 0.86 | 19.5 | 5.2 | 6.1 |
| 2" | 1/16 | 3.35 | 50.9 | 15.8 | 4.7 |
| 2-1/2" | 1/16 | 4.78 | 80.2 | 24.9 | 5.2 |
| 3" | 5/32 | 7.39 | 114.5 | 72.1 | 9.8 |
| 4" | 5/32 | 12.73 | 168.3 | 106.0 | 8.3 |
| 6" | 5/32 | 28.90 | 324.2 | 204.2 | 7.1 |

US
EF-SSA-8
6-2014

© 2014 Eaton. All rights reserved. All trademarks and registered trademarks are the property of their respective owners. All information and recommendations appearing in this brochure concerning the use of products described herein are based on tests believed to be reliable. However, it is the user's responsibility to determine the suitability for his own use of such products. Since the actual use by others is beyond our control, no guarantee, expressed or implied, is made by Eaton as to the effects of such use or the results to be obtained. Eaton assumes no liability arising out of the use by others of such products. Nor is the information herein to be construed as absolutely complete, since additional information may be necessary or desirable when particular or exceptional conditions or circumstances exist or because of applicable laws or government regulations.

LENNTECH

info@lennotech.com Tel. +31-152-610-900
www.lennotech.com Fax. +31-152-616-289

EATON

Powering Business Worldwide

