

## LOFDISC Module Filters

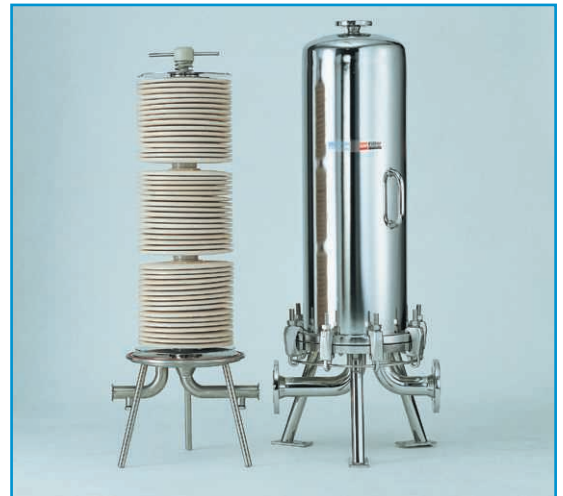
**LOFDISC** module filter housings are constructed with a variety of diameters and heights. They are available with either an industrial finish (glass bead blasted or brushed) or a sanitary finish (electro-polished).

The standard housing is made for operating conditions of 10 bar/121°C.

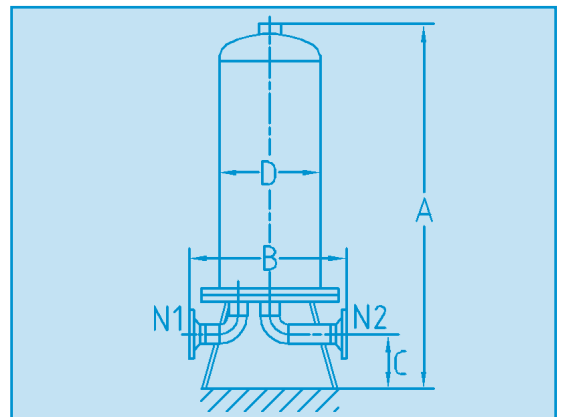
The closing mechanism operates with a V-clamp or clamp screws.

The housings (standard) are equipped with 1-1/2" Tri-Clamp (series 3AC) or 2" Tri-Clamp (series 4AC) connections. They can be supplied with flanges, dairy or sanitary connections.

The filter modules are placed over the central rod and fixed to the housing bottom plate. The filter housing is sealed with an adjustable top screw pressing the top down onto the bottom plate.



LDF-3AC-316-S-N



Type Code	LDF - 3AC - 4 16 - I - M
LOFDISC Filter Housing	┌───┐
Housing Diameter	┌───┐
3 = for 300 mm Filter Module	
4 = for 400 mm Filter Module	
No. of Modules	┌───┐
1,2,3 or 4 Modules	
No. of Filter Cells	┌───┐
16 = 16 Filter Cells (standard)	
Surface Finish	┌───┐
I = Industrial Finish	
S = Sanitary Finish	
Code for All Modifications	┌───┐

LOFDISC Housing Type	Dimensions (mm)				N1/N2	Weight (kg)	Volume (liter)	Filter area (m <sup>2</sup> )	Flow rate* (m <sup>3</sup> /h)
	A	B	C	D					
LDF-3AC-116-I	730	440	210	324	1 1/2"	34	29	1.8	2.5
LDF-3AC-216-I	1030	440	210	324	1 1/2"	40	53	3.6	5
LDF-3AC-316-I	1390	440	210	324	1 1/2"	48	81	5.4	7.5
LDF-3AC-416-I	1710	440	210	324	1 1/2"	58	108	7.2	10
LDF-4AC-116-I	750	640	210	450	2"	75	60	3.6	5
LDF-4AC-216-I	1050	640	210	450	2"	85	106	7.2	10
LDF-4AC-316-I	1410	640	210	450	2"	97	162	10.8	15
LDF-4AC-416-I	1730	640	210	450	2"	105	214	14.4	20

\* max. recommended flow rate for water bases liquids (Viscosity ≥ 1mPas)